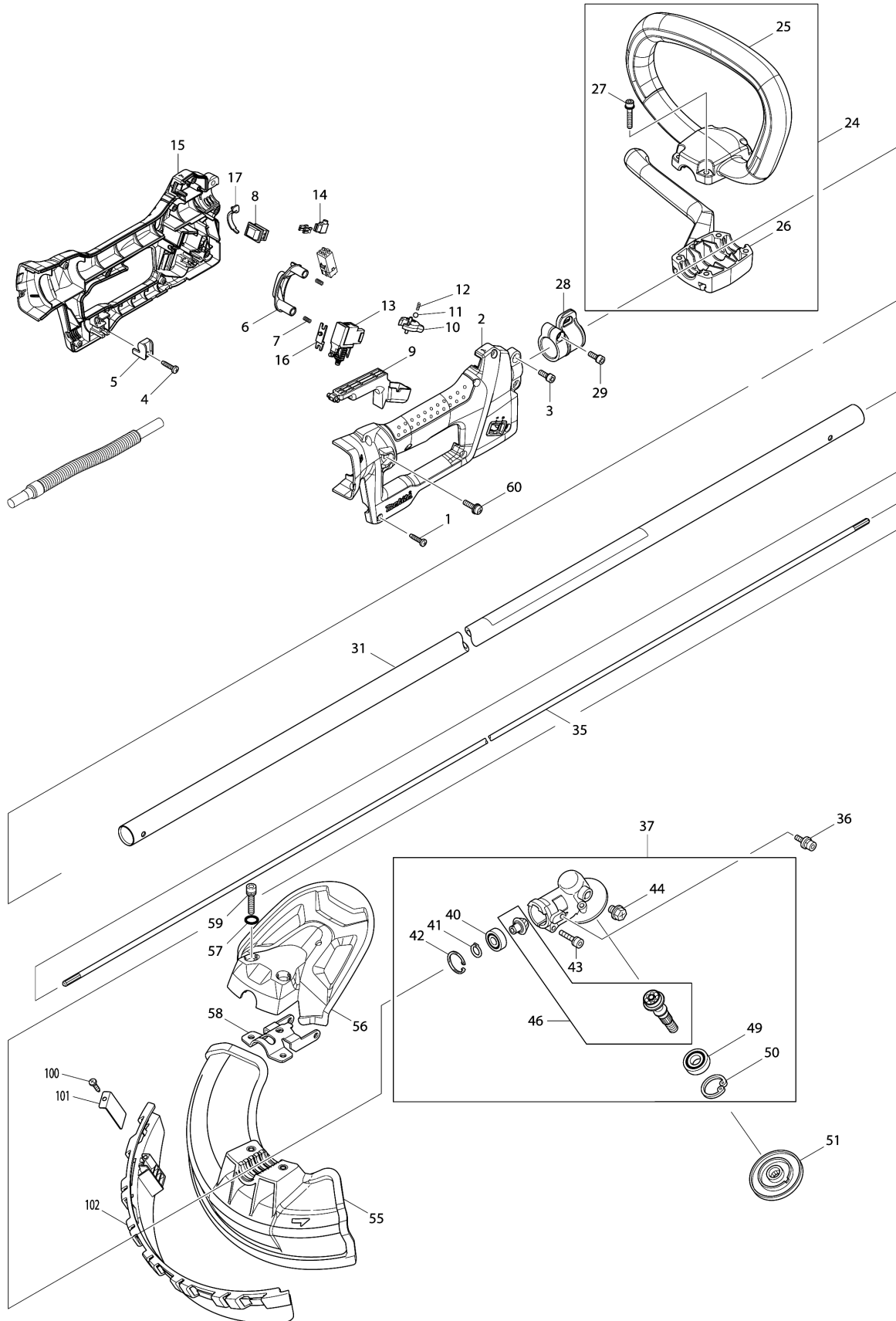
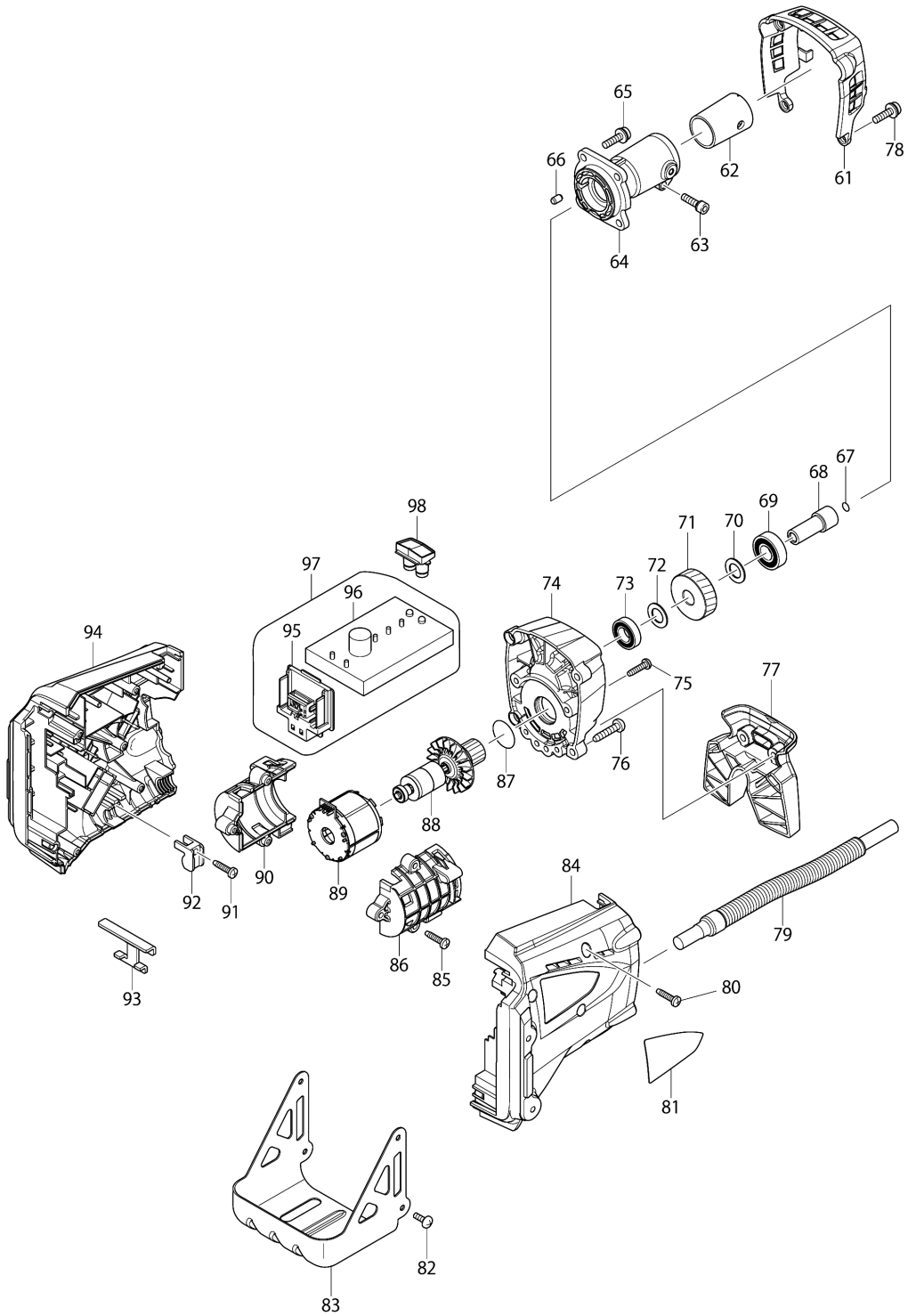


Model No.AT-3630 300MM CORDLESS STRING TRIMMER



Model No.AT-3630 300MM CORDLESS STRING TRIMMER



Model No.AT-3630 300MM CORDLESS STRING TRIMMER

| Item | Parts No. | Description | I/C | Qty | New/Old | Opt. 1 | Opt. 2 | Note |
|--------|-----------|--------------------------|-----|-----|---------|--------|--------|------|
| 001 | 265995-6 | TAPPING SCREW 4X18 | | 8 | | | | |
| 002 | 188840-7 | GRIP SET | | 1 | | | | |
| D10 | | INC. 15 | | | | | | |
| 003 | 922228-9 | H.S.H.BOLT M5X18 WITH WR | | 1 | | | | |
| 004 | 265995-6 | TAPPING SCREW 4X18 | | 1 | | | | |
| 005 | 687261-5 | STRAIN RELIEF | | 1 | | | | |
| 006 | 451983-1 | LOCK OFF BUTTON | | 1 | | | | |
| 007 | 233054-4 | COMPRESSION SPRING 4 | | 2 | | | | |
| 008 | 651533-4 | SWITCH SLE6A2-33 | | 1 | | | | |
| 009 | 451984-9 | SWITCH LEVER | | 1 | | | | |
| 010 | 451986-5 | INDICATOR | | 1 | | | | |
| 011 | 216018-3 | STEEL BALL 5.0 | | 1 | | | | |
| 012 | 233211-4 | COMPRESSION SPRING 2 | | 1 | | | | |
| 013 | 650630-3 | SWITCH TGR3-3 | | 1 | | | | |
| 014 | 686015-7 | RECEPTACLE SLEEVE | | 1 | | | | |
| 015 | 188840-7 | GRIP SET | | 1 | | | | |
| D10 | | INC. 2 | | | | | | |
| 016 | 451982-3 | LINK PLATE | | 1 | | | | |
| 017 | 451985-7 | LEAD COVER | | 1 | | | | |
| 024 | 195215-3 | LOOP HANDLE SET | | 1 | | | | |
| C10 | 783014-1 | + SCREW DRIVER 2 | | 1 | | | | |
| C10 | 783014-1 | + SCREW DRIVER 2 | | 1 | | | | |
| C10 | 783014-1 | + SCREW DRIVER 2 | | 1 | | | | |
| D10 | | INC. 25-27 | | | | | | |
| 025 | 451598-4 | LOOP HANDLE 24 | | 1 | | | | |
| 026 | 451599-2 | HANDLE CLAMP 24 | | 1 | | | | |
| 027 | 911253-5 | PAN HEAD SCREW M5X30 | | 4 | | | | |
| 028 | 168478-4 | HANGER | | 1 | | | | |
| 029 | 922228-9 | H.S.H.BOLT M5X18 WITH WR | | 1 | | | | |
| 031A | 140284-9 | SHAFT PIPE COMPLETE | | 1 | * | | | |
| C10 | 810558-9 | CAUTION LABEL | | 1 | * | | | |
| 031B | 140284-9 | SHAFT PIPE COMPLETE | | 1 | * | | | |
| C10 | 810558-9 | CAUTION LABEL | | 1 | * | | | |
| 031-1A | 141097-1 | SHAFT PIPE COMPLETE | < | 1 | * | | | |
| C10 | 810558-9 | CAUTION LABEL | | 1 | * | | | |
| C20 | 893388-3 | DOLMAR LOGO LABEL | | 1 | * | | | |
| 031-1B | 141097-1 | SHAFT PIPE COMPLETE | < | 1 | * | | | |
| C10 | 810558-9 | CAUTION LABEL | | 1 | * | | | |
| C20 | 893388-3 | DOLMAR LOGO LABEL | | 1 | * | | | |
| 031-2A | 141890-3 | SHAFT PIPE COMPLETE | < | 1 | | | | |
| C10 | 810558-9 | CAUTION LABEL | | 1 | | | | |
| C20 | 893388-3 | DOLMAR LOGO LABEL | | 1 | | | | |

Model No.AT-3630 300MM CORDLESS STRING TRIMMER

| Item | Parts No. | Description | I/C | Qty | New/Old | Opt. 1 | Opt. 2 | Note |
|--------|-----------|-----------------------------|-----|-----|---------|--------|--------|------|
| C30 | 808723-2 | CAUTION LABEL | | 1 | | | | |
| 031-2B | 141890-3 | SHAFT PIPE COMPLETE | < | 1 | | | | |
| C10 | 810558-9 | CAUTION LABEL | | 1 | | | | |
| C20 | 893388-3 | DOLMAR LOGO LABEL | | 1 | | | | |
| C30 | 808723-2 | CAUTION LABEL | | 1 | | | | |
| 031-2I | 141890-3 | SHAFT PIPE COMPLETE | | 1 | | | | |
| C10 | 810558-9 | CAUTION LABEL | | 1 | | | | |
| C20 | 893388-3 | DOLMAR LOGO LABEL | | 1 | | | | |
| C30 | 808723-2 | CAUTION LABEL | | 1 | | | | |
| 035 | 325812-3 | SHAFT | | 1 | | | | |
| 036 | 922218-2 | H.S.H.BOLT M5X14 WITH WR | | 2 | | | | |
| 037A | 125791-3 | GEAR CASE ASSY | | 1 | * | | | |
| D10 | | INC. 40-44,46,49,50 | | | * | | | |
| 037B | 125791-3 | GEAR CASE ASSY | | 1 | * | | | |
| D10 | | INC. 40-44,46,49,50 | | | * | | | |
| 037-1A | 125556-3 | GEAR CASE ASSEMBLY | S | 1 | * | | | |
| C10 | 346084-7 | CLAMP WASHER | | 1 | * | | | |
| C20 | 168526-9 | CUP | | 1 | * | | | |
| C30 | 264025-0 | HEX. NUT M10-17 | | 1 | * | | | |
| D10 | | INC. 40-44,46,49-51 | | | * | | | |
| 037-1B | 125556-3 | GEAR CASE ASSEMBLY | S | 1 | * | | | |
| C10 | 346084-7 | CLAMP WASHER | | 1 | * | | | |
| C20 | 168526-9 | CUP | | 1 | * | | | |
| C30 | 264025-0 | HEX. NUT M10-17 | | 1 | * | | | |
| D10 | | INC. 40-44,46,49-51 | | | * | | | |
| 037-1I | 125556-3 | GEAR CASE ASSEMBLY | | 1 | * | | | |
| C10 | 346084-7 | CLAMP WASHER | | 1 | * | | | |
| C20 | 168526-9 | CUP | | 1 | * | | | |
| C30 | 264025-0 | HEX. NUT M10-17 | | 1 | * | | | |
| D10 | | INC. 40-44,46,49-51 | | | * | | | |
| 037-2 | 123833-7 | GEAR CASE ASSEMBLY | S | 1 | | | | |
| C10 | 346084-7 | CLAMP WASHER | | 1 | | | | |
| C20 | 168526-9 | CUP | | 1 | | | | |
| C30 | 264025-0 | HEX. NUT M10-17 | | 1 | | | | |
| D10 | | INC. 40-42,44,46,49-51 | | | | | | |
| 040 | 210049-4 | BALL BEARING 609ZZ | | 1 | * | | | |
| 040-1 | 210157-1 | BALL BEARING 609ZZ | O | 1 | | | | |
| 041 | 961005-4 | RETAINING RING S-9 | | 1 | * | | | |
| 041-1 | 257986-1 | RETAINING RING (EXT) S-9 | O | 1 | | | | |
| 042 | 962103-7 | RETAINING RING R-24 | | 1 | * | | | |
| 042-1 | 257987-9 | RETAINING RING (INT)R-24 | O | 1 | | | | |
| 043 | 922241-7 | HEX. SOCKET HEAD BOLT M5X25 | | 1 | | | | |

Please order the parts with part number.

Print Date 26/9/2021

Model No.AT-3630 300MM CORDLESS STRING TRIMMER

| Item | Parts No. | Description | I/C | Qty | New/Old | Opt. 1 | Opt. 2 | Note |
|--------|-----------|--------------------------------|-----|-----|---------|--------|--------|------|
| 044 | 265590-2 | +HEX.BOLT M8X10 WITH R | | 1 | | | | |
| 046 | 188902-1 | CUTTER SHAFT SET | | 1 | * | | | |
| 046-1 | 183A00-2 | CUTTER SHAFT SET | O | 1 | * | | | |
| 046-2 | 183K10-9 | CUTTER SHAFT SET | O | 1 | | | | |
| 049 | 210115-7 | BALL BEARING 6001LLU | | 1 | | | | |
| 050 | 962106-1 | RETAINING RING R-28 | | 1 | * | | | |
| 050-1 | 257407-3 | RETAINING RING (INT)R-28 | O | 1 | | | | |
| 051A | 331861-0 | RECEIVE WASHER | | 1 | * | | | |
| 051B | 331861-0 | RECEIVE WASHER | | 1 | * | | | |
| 051-1A | 331861-0 | RECEIVE WASHER | O | 1 | * | | | |
| 051-1B | 331861-0 | RECEIVE WASHER | O | 1 | * | | | |
| 051-1I | 331861-0 | RECEIVE WASHER | | 1 | * | | | |
| 051-2 | 326821-5 | RECEIVE WASHER | O | 1 | | | | |
| 055 | 451566-7 | PROTECTOR | | 1 | | | | |
| 056 | 451565-9 | PROTECTOR COVER | | 1 | | | | |
| 057 | 213105-9 | O RING 11 | | 2 | | | | |
| 058 | 346073-2 | PROTECTOR CLAMP | | 1 | | | | |
| 059 | 922353-6 | HEX.SOCKET HEAD BOLT M6X30 | | 2 | | | | |
| 060 | 911233-1 | PAN HEAD SCREW M5X20 | | 1 | | | | |
| 061 | 451981-5 | GEAR BOX COVER | | 1 | | | | |
| 062 | 424307-4 | PIPE RUBBER | | 1 | | | | |
| 063 | 922231-0 | HEX. SOCKET HEAD BOLT M5X20 | | 1 | | | | |
| 064 | 318560-1 | PIPE BRACKET | | 1 | | | | |
| 065 | 911233-1 | PAN HEAD SCREW M5X20 | | 4 | | | | |
| 066 | 263002-9 | RUBBER PIN 4 | | 1 | | | | |
| 067 | 213045-1 | O-RING 6 | | 1 | | | | |
| 068 | 325811-5 | SPINDLE HUB | | 1 | | | | |
| 069 | 211148-5 | BALL BEARING 6001ZZ | | 1 | | | | |
| 070 | 253744-3 | FLAT WASHER 12 | | 1 | | | | |
| 071 | 227720-3 | HELICAL GEAR 33 | | 1 | | | | |
| 072 | 253744-3 | FLAT WASHER 12 | | 1 | | | | |
| 073 | 211150-8 | BALL BEARING 6901ZZ | | 1 | | | | |
| 074 | 318559-6 | GEAR BOX | | 1 | | | | |
| 075 | 265995-6 | TAPPING SCREW 4X18 | | 4 | | | | |
| 076 | 266041-8 | TAPPING SCREW 5X25 | | 4 | | | | |
| 077 | 451572-2 | STAND | | 1 | | | | |
| 078 | 911233-1 | PAN HEAD SCREW M5X20 | | 2 | | | | |
| 079 | 699047-5 | POWER SUPPLY CORD UNIT | | 1 | | | | |
| 080 | 265995-6 | TAPPING SCREW 4X18 | | 5 | | | | |
| 081 | 867950-0 | AT-3630 NAME PLATE | | 1 | | | | |
| 082 | 251314-2 | + SCREW M4X12 | | 4 | | | | |

Model No.AT-3630 300MM CORDLESS STRING TRIMMER

| Item | Parts No. | Description | I/C | Qty | New/Old | Opt. 1 | Opt. 2 | Note |
|-------|-----------|------------------------------|-----|-----|---------|--------|--------|------|
| 083 | 346194-0 | BATTERY GUARD | | 1 | | | | |
| 084 | 188837-6 | HOUSING SET | | 1 | * | | | |
| D10 | | INC. 94 | | | * | | | |
| 084-1 | 183B12-1 | HOUSING SET | < | 1 | * | | | |
| D10 | | INC. 94 | | | * | | | |
| 084-2 | 183C18-5 | HOUSING SET | S | 1 | | | | |
| D10 | | INC. 94 | | | | | | |
| 085 | 265995-6 | TAPPING SCREW 4X18 | | 3 | | | | |
| 086 | 188838-4 | MOTOR HOUSING SET | | 1 | | | | |
| D10 | | INC. 90 | | | | | | |
| 087 | 213961-7 | O RING 22 | | 1 | | | | |
| 088 | 619254-4 | ROTOR | | 1 | | | | |
| 089 | 629880-1 | STATOR | | 1 | | | | |
| 090 | 188838-4 | MOTOR HOUSING SET | | 1 | | | | |
| D10 | | INC. 86 | | | | | | |
| 091 | 265995-6 | TAPPING SCREW 4X18 | | 1 | | | | |
| 092 | 687261-5 | STRAIN RELIEF | | 1 | | | | |
| 093 | 346039-2 | SUPPORT PLATE | | 1 | | | | |
| 094 | 188837-6 | HOUSING SET | | 1 | * | | | |
| D10 | | INC. 84 | | | * | | | |
| 094-1 | 183B12-1 | HOUSING SET | < | 1 | * | | | |
| D10 | | INC. 84 | | | * | | | |
| 094-2 | 183C18-5 | HOUSING SET | S | 1 | | | | |
| D10 | | INC. 84 | | | | | | |
| 095 | 643849-1 | TERMINAL | | 1 | | | | |
| 096 | 631942-3 | CONTROLLER | | 1 | * | | | |
| 096-1 | 620496-5 | CONTROLLER | S | 1 | | | | |
| 097 | 631941-5 | CONTROLLER COMPLETE | | 1 | * | | | |
| D10 | | INC. 95,96 | | | * | | | |
| 097-1 | 620497-3 | CONTROLLER COMPLETE | S | 1 | | | | |
| D10 | | INC. 95,96 | | | | | | |
| 098 | 140285-7 | INDICATION PLATE COMPLETE | | 1 | | | | |
| 100 | 265995-6 | TAPPING SCREW 4X18 | | 1 | | | | |
| 101 | 346280-7 | CUTTER | | 1 | | | | |
| 102 | 140583-9 | PROTECTOR EXTENSION COMPLETE | | 1 | | | | |
| C10 | 891041-5 | INDICATION LABEL | | 1 | | | | |
| 103A | 451601-1 | SPACER 24 | | 1 | | | | |
| 103B | 451601-1 | SPACER 24 | | 1 | | | | |
| 103I | 451601-1 | SPACER 24 | | 1 | | | | |
| A01 | 195152-1 | TRIMMER HEAD 94-M10L SET D | | 1 | | | | |
| C10 | 141181-2 | HOUSING COMPLETE | | 1 | | | | |

Please order the parts with part number.

Print Date 26/9/2021

Model No.AT-3630 300MM CORDLESS STRING TRIMMER

| Item | Parts No. | Description | I/C | Qty | New/Old | Opt. 1 | Opt. 2 | Note |
|--------|-----------|-------------------------|-----|-----|---------|--------|--------|------|
| C20 | 318815-4 | NUT M10 | | 1 | | | | |
| C30 | 453227-5 | COVER | | 1 | | | | |
| C40 | 234229-8 | COMPRESSION SPRING 13 | | 1 | | | | |
| C50 | 453228-3 | BOBBIN | | 1 | | | | |
| C60 | 318816-2 | EYE LET | | 2 | | | | |
| C10 | 141181-2 | HOUSING COMPLETE | | 1 | | | | |
| C20 | 318815-4 | NUT M10 | | 1 | | | | |
| C30 | 453227-5 | COVER | | 1 | | | | |
| C40 | 234229-8 | COMPRESSION SPRING 13 | | 1 | | | | |
| C50 | 453228-3 | BOBBIN | | 1 | | | | |
| C60 | 318816-2 | EYE LET | | 2 | | | | |
| C10 | 141181-2 | HOUSING COMPLETE | | 1 | | | | |
| C20 | 318815-4 | NUT M10 | | 1 | | | | |
| C30 | 453227-5 | COVER | | 1 | | | | |
| C40 | 234229-8 | COMPRESSION SPRING 13 | | 1 | | | | |
| C50 | 453228-3 | BOBBIN | | 1 | | | | |
| C60 | 318816-2 | EYE LET | | 2 | | | | |
| A02 | 125516-5 | BAND ASSEMBLY | | 1 | | | | |
| A03A | 168526-9 | CUP | | 1 | * | | | |
| A03B | 168526-9 | CUP | | 1 | * | | | |
| A04A | 264025-0 | HEX. NUT M10-17 | | 1 | * | | | |
| A04B | 264025-0 | HEX. NUT M10-17 | | 1 | * | | | |
| A05A | 346084-7 | CLAMP WASHER | | 1 | * | | | |
| A05B | 346084-7 | CLAMP WASHER | | 1 | * | | | |
| A06 | 782210-8 | SOCKET WRENCH 17 | | 1 | | | | |
| A07 | 783202-0 | HEX. WRENCH 4 | | 1 | | | | |
| A08 | 783217-7 | HEX. WRENCH 5 | | 1 | | | | |
| A09 | 831315-2 | ACCESSORY BAG | | 1 | | | | |
| A10A | ***LG-363 | LG-363 FAST CHARGER | | 1 | * | | | |
| A10I | ***LG184 | LG-184 FAST CHARGER SET | | 1 | * | | | |
| A10-1A | ***DC36RA | DC36RA FAST CHARGER | O | 1 | | | | |
| A10-1I | ***DC18RC | DC18RC FAST CHARGER | O | 1 | | | | |
| A11A | 195126-2 | BATTERY AP-363 SET | | 2 | * | | | |
| A11I | 194490-8 | BATTERY AP-183 SET | | 2 | * | | | |
| A11-1A | 195126-2 | BATTERY AP-363 SET | O | 2 | * | | | |
| A11-1I | 194490-8 | BATTERY AP-183 SET | O | 2 | * | | | |
| A11-2A | 194873-2 | BATTERY BL3626 SET | < | 2 | * | | | |
| A11-2I | 196015-4 | BATTERY BL1830 SET | O | 2 | * | | | |
| A11-3A | 194873-2 | BATTERY BL3626 SET | O | 2 | | | | |
| A11-3I | 197600-6 | BATTERY BL1830B SET | < | 2 | * | | | |
| A11-4I | 197600-6 | BATTERY BL1830B SET | O | 2 | | | | |
| A12A | 451153-2 | BATTERY COVER | | 1 | | | | |

Model No.AT-3630 300MM CORDLESS STRING TRIMMER

| Item | Parts No. | Description | I/C | Qty | New/Old | Opt. 1 | Opt. 2 | Note |
|--------|-----------|-----------------------|-----|-----|---------|--------|--------|------|
| A12I | 195852-3 | BATTERY CONVERTER SET | | 1 | * | | | |
| A12-1I | 196812-8 | BATTERY CONVERTER SET | < | 1 | * | | | |
| A12-2I | 197215-9 | BATTERY CONVERTER SET | < | 1 | | | | |
| A13I | 196007-3 | BATTERY GUARD SET | | 1 | | | | |

Please order the parts with part number.

Print Date 26/9/2021