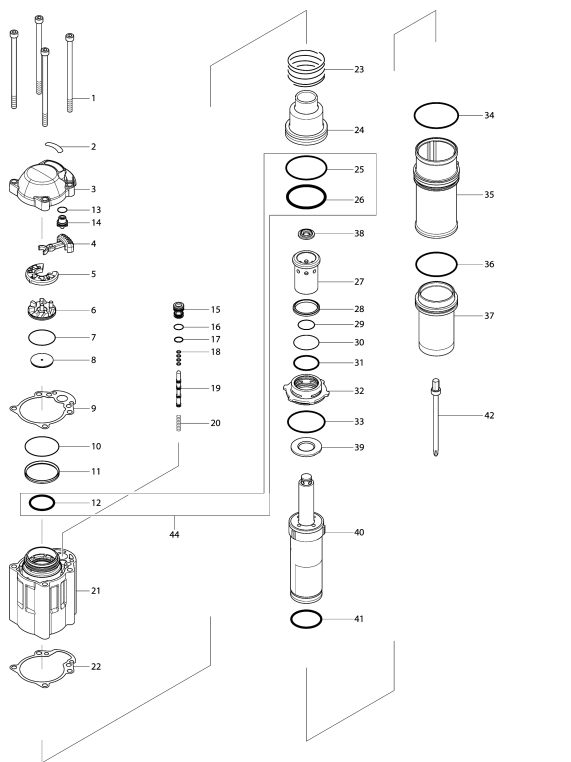


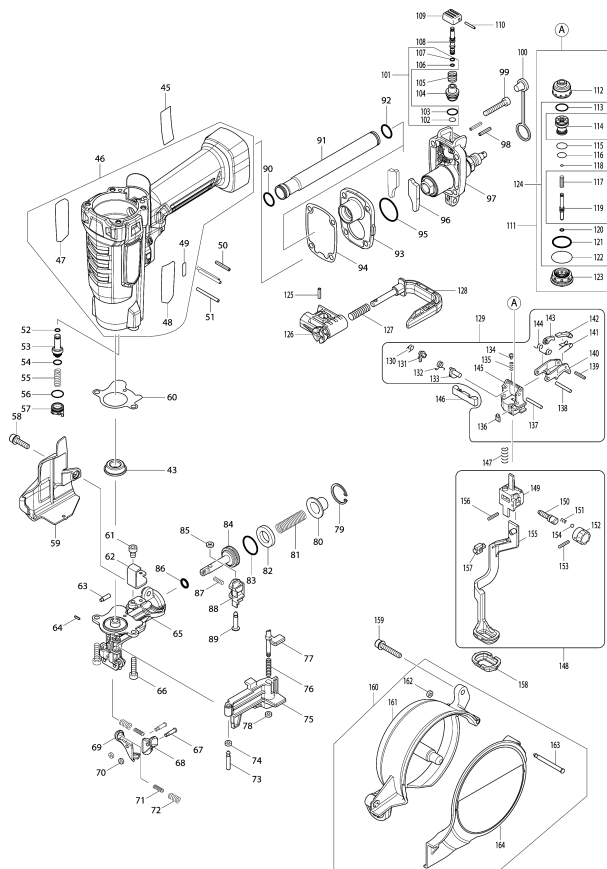
Model No.AR411HR AIR SCREW DRIVER



https://msi.makita.co.jp/MsiWW/MsiWW/genpo_swf/print.html

1/9

Model No.AR411HR AIR SCREW DRIVER



https://msi.makita.co.jp/MsiWW/MsiWW/genpo_swf/print.html

3/9

Model No.AR411HR AIR SCREW DRIVER

Item	Parts No.	Description	I/C	Qty	New/Old	Opt. 1	Opt. 2	Note
001	266802-6	HEX SOCKET HEAD BOLT M5X9.5		4				
002	800L10-7	INDICATION LABEL		1				
003-1	319389-8	TOP CAP		1				
004	310531-4	CHANGE LEVER		1				
005	310532-2	CHANGE BASE		1				
006	310530-6	CHANGE PLATE		1				
007	213699-4	O RING 27		1				
008	424535-1	VALVE SEAT		1				
009-1	162364-1	TOP CAP GASKET COMPLETE		1				
010	213460-9	O RING 35		1				
011	424536-9	D-RING 34		1				
012	213393-8	O RING 23		1				
013	213062-1	O RING 9		1				
014	326254-4	CHANGE VALVE SLEEVE		1				
015	412133-3	CHANGE VALVE GUIDE		1				
016	213062-1	O RING 9		1				
017	213011-8	O RING 7		1				
018	213034-6	O RING 3		4				
019	326231-6	CHANGE VALVE STEM		1				
020	234079-1	COMPRESSION SPRING 4		1				
021	318949-3	TOP CAP SPACER		1				
022	162348-9	TOP CAP SPACER GASKET		1				
023	234272-7	COMPRESSION SPRING 37		1				
024	326242-1	HEAD VALVE		1				
025	213689-7	O-RING 41		1				
026	213339-4	O-RING 34		1				
027	326241-3	PISTON		1				
028	424534-3	PISTON CUSHION		1				
029	213223-3	O RING 16		1				
030	213691-0	O-RING 25		1				
031	213777-0	O-RING 25		1				
032	126363-7	CYLINDER PLATE ASSEMBLY		1				
C10	332089-3	CYLINDER PLATE		1				
D10		INC. 30.31						
033	213508-7	O RING 38		1				
034	213558-2	O RING 42		1				
035	332048-7	MOTOR RAIL		1				
036	213509-5	O RING 40		1				
037	332047-9	CYLINDER		1				
038	424533-5	SEAL WASHER		1				
039	424532-7	REAR CUSHION		1				
040	141822-0	AIR MOTOR COMPLETE		1				

Please order the parts with part number.

Print Date 18/9/2020

https://msi.makita.co.jp/MsiWW/MsiWW/genpo_swf/print.html

5/9

Model No.AR411HR AIR SCREW DRIVER

Item	Parts No.	Description	I/C	Qty	New/Old	Opt. 1	Opt. 2	Note
041	213690-2	O-RING 29		1				
042	197776-9	DRIVER BIT SET		1				
043	424531-9	FRONT CUSHION		1				
044	196169-7	REPAIR KIT FOR EXHAUST HOLE		1				
D10		INC. 12.25.26						
045	851S66-5	AR411HR NAME PLATE		1				
046	183C37-1	HOUSING SET		1				
D10		INC. 47-49						
047	809H40-1	MAKITA LOGO LABEL R		1				
048	809H39-6	MAKITA LOGO LABEL L		1				
049	808D53-5	INDICATION LABEL		1				
050	951069-6	SPRING PIN 3-20		1				
051	951078-5	SPRING PIN 3-32		3				
052	213770-4	O RING 4		1				
053	326238-2	EXHAUST VALVE STEM		1				
054	213771-2	O-RING 6		1				
055	234271-9	COMPRESSION SPRING 6		1				
056	213070-2	O RING 10		1				
057	454159-9	EXHAUST SLEEVE		1				
058	922234-4	H.S.H.BOLT M5X20 WITH WG		1				
059	456358-9	CONTACT ARM COVER		1				
060	162347-1	DRIVER GUIDE GASKET		1				
061	922202-7	HEX SOCKET HEAD BOLT M5X8		1				
062	346645-3	STOPPER PLATE		1				
063	256547-4	SHOULDER PIN 3-4		1				
064	951001-0	SPRING PIN 2-8		1				
065	141817-3	DRIVER GUIDE COMPLETE		1				
066	922232-8	HEX SOCKET HEAD BOLT M5X20		2				
067	268291-1	PIN 3.5		2				
068-1	310639-4	CHACK L		1				
069-1	310640-9	CHACK R		1				
070	261118-4	URETHANE WASHER		2				
071	234267-0	COMPRESSION SPRING 3		2				
072	234268-8	COMPRESSION SPRING 5		2				
073	268290-3	PIN 4		1				
074	262054-7	URETHANE RING 3		1				
075	454162-0	DOOR		1				
076	234003-4	COMPRESSION SPRING 5		1				
077	310217-0	LOCK PIN		1				
078	262054-7	URETHANE RING 3		1				
079	962103-7	RETAINING RING R-24		1				

Please order the parts with part number.

Print Date 18/9/2020

https://msi.makita.co.jp/MsiWW/MsiWW/genpo_swf/print.html

6/9

Model No.AR411HR AIR SCREW DRIVER

Item	Parts No.	Description	I/C	Qty	New/Old	Opt. 1	Opt. 2	Note
080	345781-2	CUP WASHER		1				
081	234046-6	COMPRESSION SPRING 10		1				
082	262123-4	RUBBER RING 14		1				
083	213971-4	O-RING 19		1				
084	326115-8	FEED PISTON		1				
085	262130-7	URETHANE RING 4		1				
086	213007-9	O RING 8		1				
087	234042-4	COMPRESSION SPRING 3		1				
088	310246-3	FEEDING CLAW		1				
089	268193-1	PIN 4.5		1				
090	213162-7	O RING 14		1				
091	332050-0	PIPE		1				
092	213162-7	O RING 14		1				
093	454161-2	INLET CAP SPACER		1				
094	162350-2	INLET CAP GASKET		1				
095	213987-9	O-RING 25		1				
096	413161-1	FILTER		2				
097	141821-2	INLET CAP COMPLETE		1				
098	951063-8	SPRING PIN 3-16		2				
099	922252-2	HEX. SOCKET HEAD BOLT M5X30		4				
100	286281-2	CAP 9		1				
101	196171-0	REPAIR KIT FOR DUSTER		1				
D10		INC. 102,103,106,107						
102	213545-1	O-RING 5.5		1				
103	213070-2	O RING 10		1				
104	412132-5	DUSTER VALVE GUIDE		1				
105	231471-2	COMPRESSION SPRING 9		1				
106	213034-6	O RING 3		1				
107	213640-7	O-RING 3		1				
108	326232-4	DUSTER VALVE STEM		1				
109	454160-4	SWITCH LEVER		1				
110	951010-9	SPRING PIN 2-14		1				
111	135542-6	TRIGGER VALVE ASS'Y		1				
D10		INC. 112-123						
112	412131-7	TRIGGER VALVE GUIDE		1				
113	213134-2	O-RING 11		1				
114	326240-5	PILOT VALVE		1				
115	213984-5	O-RING 8		1				
116	213985-3	O-RING 8		1				
117	234270-1	COMPRESSION SPRING 4		1				
118	213986-1	O-RING 2		1				
119	326230-8	TRIGGER VALVE STEM		1				

Please order the parts with part number.

Print Date 18/9/2020

https://msi.makita.co.jp/MSiWW/MSiWW/genpo_swf/print.html

7/9

Model No.AR411HR AIR SCREW DRIVER

Item	Parts No.	Description	I/C	Qty	New/Old	Opt. 1	Opt. 2	Note
120	213034-6	O RING 3		1				
121	213275-4	O RING 18		1				
122	213310-8	O RING 20		1				
123	326239-0	TRIGGER VALVE CASE		1				
124	196170-2	REPAIR KIT FOR TRIGGER		1				
D10		INC. 113,115,116,118,120-122						
125	951057-3	SPRING PIN 3-12		1				
126	454166-2	HOOK BASE		1				
127	233343-7	COMPRESSION SPRING 7		1				
128-1	161372-9	HOOK		1				
129-1	135736-3	TRIGGER ASS'Y		1				
D10		INC. 130-145						
130	233501-5	TORSION SPRING 5		1				
131	310199-6	STOPPER PLATE		1				
132	233502-3	TORSION SPRING 6		1				
133	310310-0	LEVER		1				
134	326144-1	LOCK PIN		1				
135	233490-4	COMPRESSION SPRING 2		1				
136	419743-7	SPRING COVER		1				
137	268168-0	PIN 3		1				
138	268168-0	PIN 3		1				
139	951007-8	SPRING PIN 2-12		1				
140-1	310676-8	TRIGGER		1				
141	231699-2	TORSION SPRING 4		1				
142	310196-2	TRIP LEVER		1				
143	310198-8	LEVER		1				
144	233503-1	TORSION SPRING 4		1				
145	419844-1	TRIGGER BASE		1				
146	310293-4	CHANGE ROD		1				
147	234269-6	COMPRESSION SPRING 5		1				
148	135541-8	CONTACT ARM ASSEMBLY		1	*			
D10		149-157			*			
148-1	136130-2	CONTACT ARM ASS'Y	<	1				
D10		149-157						
149	310234-0	UPPER YOKE		1	*			
149-1	310871-0	UPPER YOKE	<	1				
150	324745-9	ADJUSTER SHAFT		1				
151	233491-2	COMPRESSION SPRING 2		1				
152	158747-1	ADJUSTER COMPLETE		1				
153	951010-9	SPRING PIN 2-14		1				
154	216031-1	STEEL BALL 2.3		1				
155	310529-1	CONTACT ARM		1				

Please order the parts with part number.

Print Date 18/9/2020

https://msi.makita.co.jp/MSiWW/MSiWW/genpo_swf/print.html

8/9

Model No.AR411HR AIR SCREW DRIVER

Item	Parts No.	Description	I/C	Qty	New/Old	Opt. 1	Opt. 2	Note
156	951010-9	SPRING PIN 2-14		1				
157	310201-5	ADJUSTER PIECE		1				
158	424539-3	NOSE ADAPTER		1				
159	922254-8	H.S.H.BOLT M5X30 WITH WG		1				
160	135872-5	MAGAZINE ASSY		1				
D10		INC. 161-164						
161	454163-8	MAGAZINE		1				
162	262054-7	URETHANE RING 3		1				
163	268027-8	PIN 4		1				
164	143652-5	MAGAZINE CAP COMPLETE		1				
A01	197776-9	DRIVER BIT SET		1				
A02	194381-3	OIL SUPPLY SET		1				
A03	195246-2	SAFETY GOGGLE		1	*			
A04	783202-0	HEX. WRENCH 4		1				
A05	821565-7	PLASTIC CARRYING CASE		1				
C10	162315-4	LATCH		2				
C20	452137-3	HANDLE		1				
A06	808C54-7	AR411HR PLASTIC CASE LABEL		2				

Please order the parts with part number.

Print Date 18/9/2020

https://msi.makita.co.jp/MSiWW/MSiWW/genpo_swf/print.html

9/9