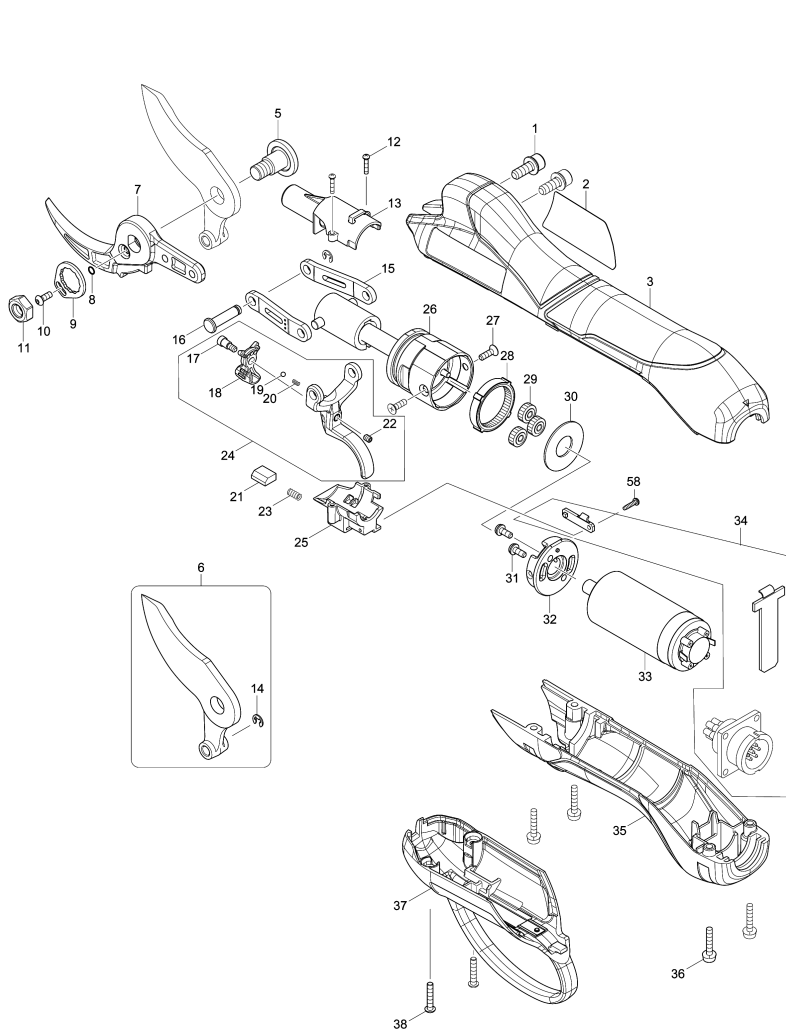
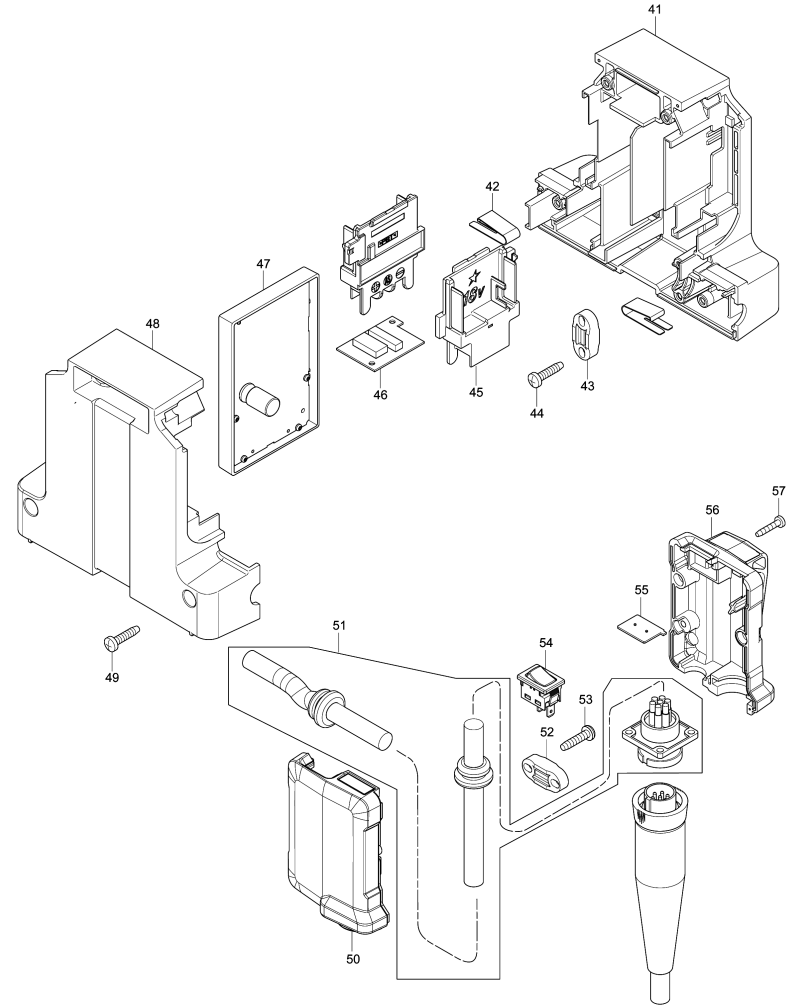


Model No.AR3733 BATTERY POWERED PRUNING SHEAR



Model No.AR3733 BATTERY POWERED PRUNING SHEAR



Model No.AR3733 BATTERY POWERED PRUNING SHEAR

Item	Parts No.	Description	I/C	Qty	New/Old	Opt. 1	Opt. 2	Note
001	251485-5	H.S.H.BOLT M5X14 WITH WR		2	*			
001-1	251490-2	H.S.H.BOLT M5X14 WITH WR	<	2				
002	851F33-2	AR-3733 NAME PLATE		1				
003	456210-1	UPPER HOUSING		1				
005	251474-0	SHOULDER SCREW M8		1				
006	197558-9	SHEAR BLADE U SET		1				
D10		INC. 14						
007	197367-6	SHEAR BLADE L SET(EU)		1				
008	213034-6	O RING 3		1				
009	346940-1	LOCK PLATE		1				
010	266557-3	H.S.BUTTON HEAD BOLT M3X8		1				
011	264118-3	HEX. NUT M8		1				
012	266786-8	+ PAN HEAD TAPPING SCREW 2X10		2				
013	456218-5	BALL NUT COVER B		1				
014	961011-9	STOP RING E-4		1				
015	346941-9	LINK ARM		2	*			
015-1	347165-0	LINK ARM	<	2				
016	256568-6	FLAT FILLISTER HD.PIN 5		1				
017	251484-7	+ FLAT HEAD SCREW M3X4		1				
018	456215-1	LEVER		1				
019	216031-1	STEEL BALL 2.3		1				
020	233491-2	COMPRESSION SPRING 2		1				
021	688189-0	MAGNET		1				
022	266999-1	H.S.SET SCREW(FLAT POINT)M3X4		1				
023	231397-8	COMPRESSION SPRING 4		1				
024	123536-3	TRIGGER ASS'Y		1				
D10		INC. 17-20,22						
025	456217-7	BALL NUT COVER A		1				
026	123458-7	BALL SCREW ASSEMBLY		1	*			
026-1	127418-1	BALL SCREW ASSEMBLY	<	1				
027	912012-0	C.H.SCREW M3X10		2				
028	227390-8	INTERNAL GEAR 48		1				
029	227389-3	SPUR GEAR 18		3				
030	253810-6	FLAT WASHER 12		1				
031	911006-2	PAN HEAD SCREW M3X8		2				
032	319349-0	MOTOR HOLDER		1				
033	629160-5	DC MOTOR		1				
034	620459-1	SUB CONTROLLER		1				
035	456212-7	LOWER HOUSING		1				
036	911028-2	PAN HEAD SCREW M3X16		4				
037	143634-7	FRONT HOUSING COMPLETE		1	*			

Please order the parts with part number.

Print Date 18/9/2020

Model No.AR3733 BATTERY POWERED PRUNING SHEAR

Item	Parts No.	Description	I/C	Qty	New/Old	Opt. 1	Opt. 2	Note
C10	807L80-7	INDICATION LABEL		1	*			
037-1	143936-1	FRONT HOUSING COMPLETE	<	1				
C10	807L80-7	INDICATION LABEL		1				
038	266980-2	HEX.S.BUTTON HEAD SCREW M3X16		2				
041	183B70-7	CONTROLLER HOUSING SET		1				
D10		INC. 48						
042	232267-4	LEAF SPRING		2				
043	687053-2	STRAIN RELIEF		1				
044	265995-6	TAPPING SCREW 4X18		2				
045	643899-6	TERMINAL		2				
046	620461-4	RF UNIT		1				
047	620458-3	CONTROLLER		1				
048	183B70-7	CONTROLLER HOUSING SET		1				
D10		INC. 41						
049	265995-6	TAPPING SCREW 4X18		4				
050	183B75-7	SWITCH HOUSING SET		1				
C10	807E89-7	INDICATION LABEL		1				
C20	807F74-6	CAUTION LABEL		1				
D10		INC. 56						
051	699070-0	POWER SUPPLY CORD UNIT		1	*			
051-1	699086-5	POWER SUPPLY CORD UNIT	<	1				
052	687053-2	STRAIN RELIEF		1				
053	265995-6	TAPPING SCREW 4X18		2				
054	651536-8	SWITCH 1941. 1451		1				
055	620460-6	LED CIRCUIT		1				
056	183B75-7	SWITCH HOUSING SET		1				
C10	807E89-7	INDICATION LABEL		1				
C20	807F74-6	CAUTION LABEL		1				
D10		INC. 50						
057	266429-2	TAPPING SCREW 3X16		3				
058	266786-8	+ PAN HEAD TAPPING SCREW 2X10		1				
A01	154511-8	CORD HOLDER COMPLETE		1				
A02	161378-7	HARNESS		1				
A03	161380-0	HOLSTER		1				
A04	166062-9	ARM BAND		1				
A05	182470-6	OIL SUPPLY		1				
A06	661430-6	CONNECTION CORD		1	*			
A06-1	661445-3	CONNECTION CORD	<	1				
A07	794530-8	DIAMOND FILE 140		1				
A08	782212-4	SOCKET WRENCH 13		1				
A09	783021-4	HEX. WRENCH 1.5		1				

Please order the parts with part number.

Print Date 18/9/2020

Model No.AR3733 BATTERY POWERED PRUNING SHEAR

Item	Parts No.	Description	I/C	Qty	New/Old	Opt. 1	Opt. 2	Note
A10	783202-0	HEX. WRENCH 4		1				
A11	783214-3	HEX.SOCKET SCREW KEY 2		1				
A12	831410-8	TOOL BAG		1				
A13	197558-9	SHEAR BLADE U SET		1				
C10	961011-9	STOP RING E-4		1				
A14D	***LG184	LG-184 FAST CHARGER SET		1	*			
A14G	***LG184X2	LG-184 X2 FAST CHARGER SET		1	*			
A14-1D	***DC18RC	DC18RC FAST CHARGER	O	1				
A14-1G	***DC18RD	DC18RD TWO PORT FAST CHARGER	O	1				
A15D	194490-8	BATTERY AP-183 SET		2	*			
A15G	194490-8	BATTERY AP-183 SET		2	*			
A15-1D	196015-4	BATTERY BL1830 SET	O	2	*			
A15-1G	196015-4	BATTERY BL1830 SET	O	2	*			
A15-2D	197600-6	BATTERY BL1830B SET	<	2	*			
A15-2G	197600-6	BATTERY BL1830B SET	<	2	*			
A15-3D	197600-6	BATTERY BL1830B SET	O	2				
A15-3G	197600-6	BATTERY BL1830B SET	O	2				
A16D	450128-8	BATTERY COVER		2				
A16G	450128-8	BATTERY COVER		2				
A17	630A13-9	CONTROLLER		1	*			
B01	630A13-9	CONTROLLER		1				
D10		INC. 41-57						

Please order the parts with part number.

Print Date 18/9/2020