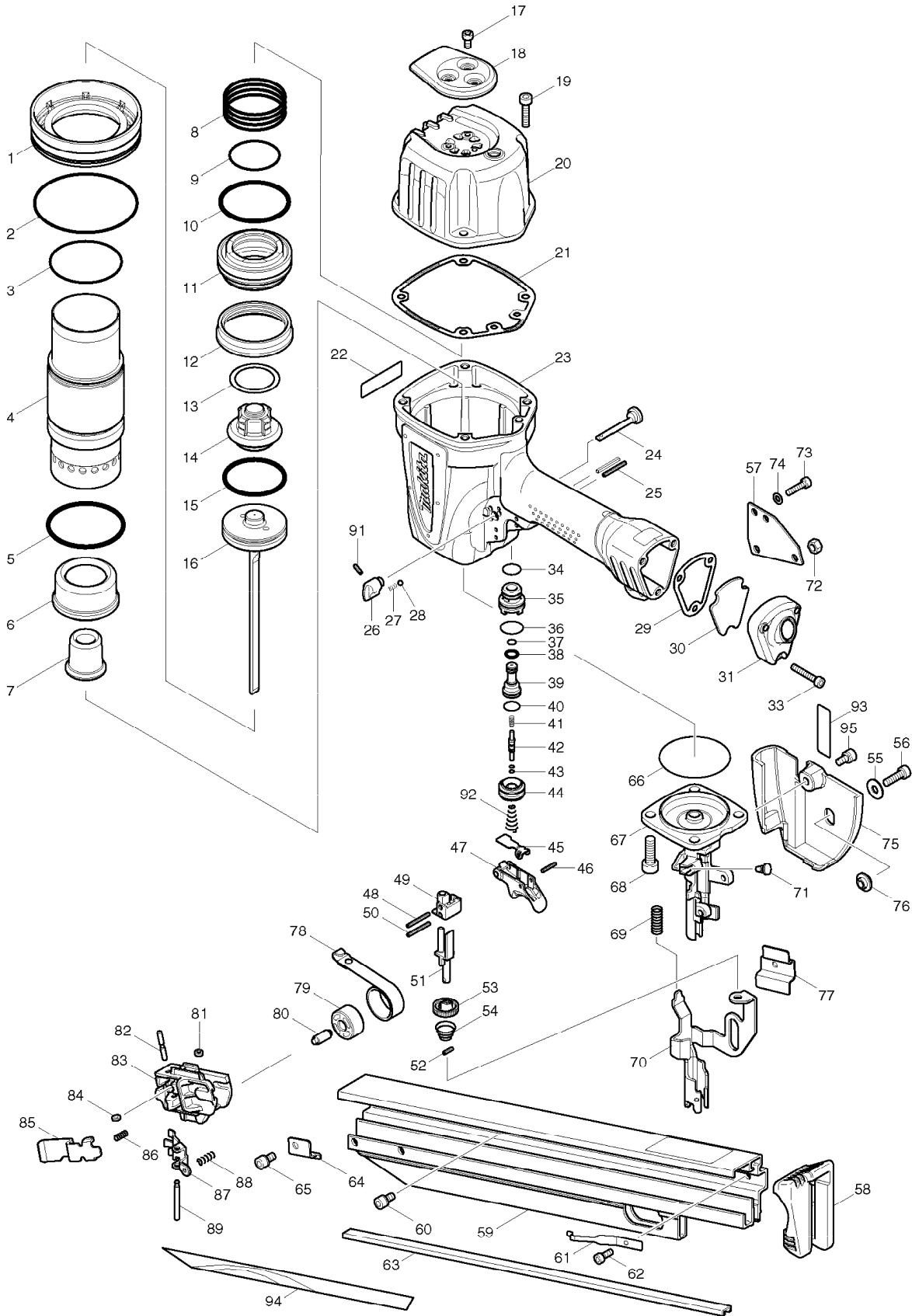


SERVICE DRAWING

MODEL NO. AN923



SPARE PARTS LIST

MODEL NO. AN923

ITEM	PART NO.	DESCRIPTION	QTY	NOTE
001	419115-6	CYLINDER SEPARATOR	1	
002	213809-3	O RING 87	1	
003	213668-5	O RING 60	1	
004	331700-4	CYLINDER	1	
005	213667-7	O RING 60	1	
006	421680-3	CUSHION F	1	
007	421687-9	CUSHION GUIDE	1	
008	233243-1	COMPRESSION SPRING 50	1	
009	213504-5	O RING 40	1	
010	213669-3	O RING 56	1	
011	419114-8	HEAD VALVE	1	
012	421925-9	VALVE SEAT	1	
013	267742-1	WASHER 34	1	
014	421924-1	CUSHION REAR	1	
015	213619-8	O RING 49	1	
016	154655-4	DRIVER COMPLETE	1	
017	265499-8	HEX.SOCKET HEAD BOLT M5X10	3	
018	345618-3	EXHAUST COVER	1	
019	922342-1	HEX. SOCKET HEAD BOLT M6X25	4	
020	317950-5	TOP CAP	1	
021	162238-6	TOPCAP GASKET	1	
023	154820-5	HOUSING COMPLETE	1	
024	324117-8	LOCK PIN 8	1	
025	951075-1	SPRING PIN 3-28	2	
026	417824-1	LEVER 8	1	
027	233368-1	COMPRESSION SPRING 3	1	
028	216008-6	STEEL BALL 4	1	
029	162239-4	INLET CAP GASKET	1	
030	419356-4	INLET FILTER	1	
031	318005-9	INLET CAP	1	
033	922252-2	HEX. SOCKET HEAD BOLT M5X30	3	
034	213176-6	O RING 14	1	
035	417695-6	TRIGGER VALVE GUIDE	1	
036	213262-3	O RING 18	1	
037	213039-6	O RING 6	1	
038	213040-1	O RING 8	1	
039	317959-7	PILOT VALVE	1	
040	213122-9	O RING 12	1	
041	233239-2	COMPRESSION SPRING 3	1	
042	324591-0	TRIGGER VALVE STEM	1	
043	213044-3	O RING 3	2	
044	318010-6	TRIGGER VALVE CASE	1	
045	345687-4	IDLER	1	
046	258004-8	SPRING PIN 2.5-16	1	
047	419418-8	TRIGGER	1	
048	951075-1	SPRING PIN 3-28	1	
049	310165-3	HOLDER	1	
050	951075-1	SPRING PIN 3-28	1	
051	310166-1	STOPPER	1	
052	951054-9	SPRING PIN 3-10	1	
053	310163-7	ADJUSTER	1	
054	231978-8	CONICAL COMP. SPRING 9-16	1	
055	267300-3	FLAT WASHER 5	2	
056	266369-4	HEX SOCKET HEAD BOLT M5X20	2	
057	345627-2	JOINT	1	
058	419120-3	MAGAZINE CAP	1	

SPARE PARTS LIST

MODEL NO. AN923

ITEM	PART NO.	DESCRIPTION	QTY	NOTE
059	158058-4	MAGAZINE COMPLETE	1	
060	266370-9	HEX SOCKET HEAD BOLT M6X12	2	
061	345619-1	NAIL STOPPER	1	
062	922217-4	HEX. SOCKET HEAD BOLT M5X14	1	
063	345623-0	MAGAZINE RAIL	1	
064	344765-7	HOLDER	1	
065	266370-9	HEX SOCKET HEAD BOLT M6X12	1	
066	213654-6	O RING 60	1	
067	310167-9	DRIVER GUIDE	1	
068	266368-6	HEX SOCKET HEAD BOLT M8X25	4	
069	233463-7	COMPRESSION SPRING 10	1	
070	345625-6	CONTACT ARM	1	
071	421418-6	RUBBER PIN 9.5	1	
072	931302-2	HEX. NUT M6	2	
073	265498-0	HEX.SOCKET HEAD BOLT M6X20	1	
074	267314-2	FLAT WASHER 7	1	
075	419118-0	COVER	1	
076	267743-9	SHOLDER WASHER 6	1	
077	344766-5	HOLDER	1	
078	163456-9	SPIRAL SPRING COMPLETE	1	
079	419112-2	SPRING GUIDE	1	
080	256428-2	PIN 5-8	1	
081	262054-7	URETHANE RING 3	1	
082	256770-1	PIN 4	1	
083	419119-8	PUSHER LEVER	1	
084	262054-7	URETHANE RING 3	1	
085	345673-5	LOCK PLATE	1	
086	231309-1	COMPRESSION SPRING 5	1	
087	345624-8	PUSHER	1	
088	233038-2	COMPRESSION SPRING 5	1	
089	256489-2	PIN 4	1	
091	951054-9	SPRING PIN 3-10	1	
092	233908-5	CONICAL COMPRESSION SPRING4-11	1	
093	810097-9	INDICATION LABEL	1	
094	819199-8	INDICATION LABEL	1	
095	266370-9	HEX SOCKET HEAD BOLT M6X12	1	
A01	122742-7	HOOK ASSEMBLY	1	
A02	192517-8	SAFETY GOGGLE	1	
A03	181434-7	OIL SUPPLY 30CC	1	
A04	421677-2	NOSE ADAPTER	1	
A05	824841-8	PLASTIC CARRYING CASE	1	
E01	243104-7	ADAPTER R3/8	1	