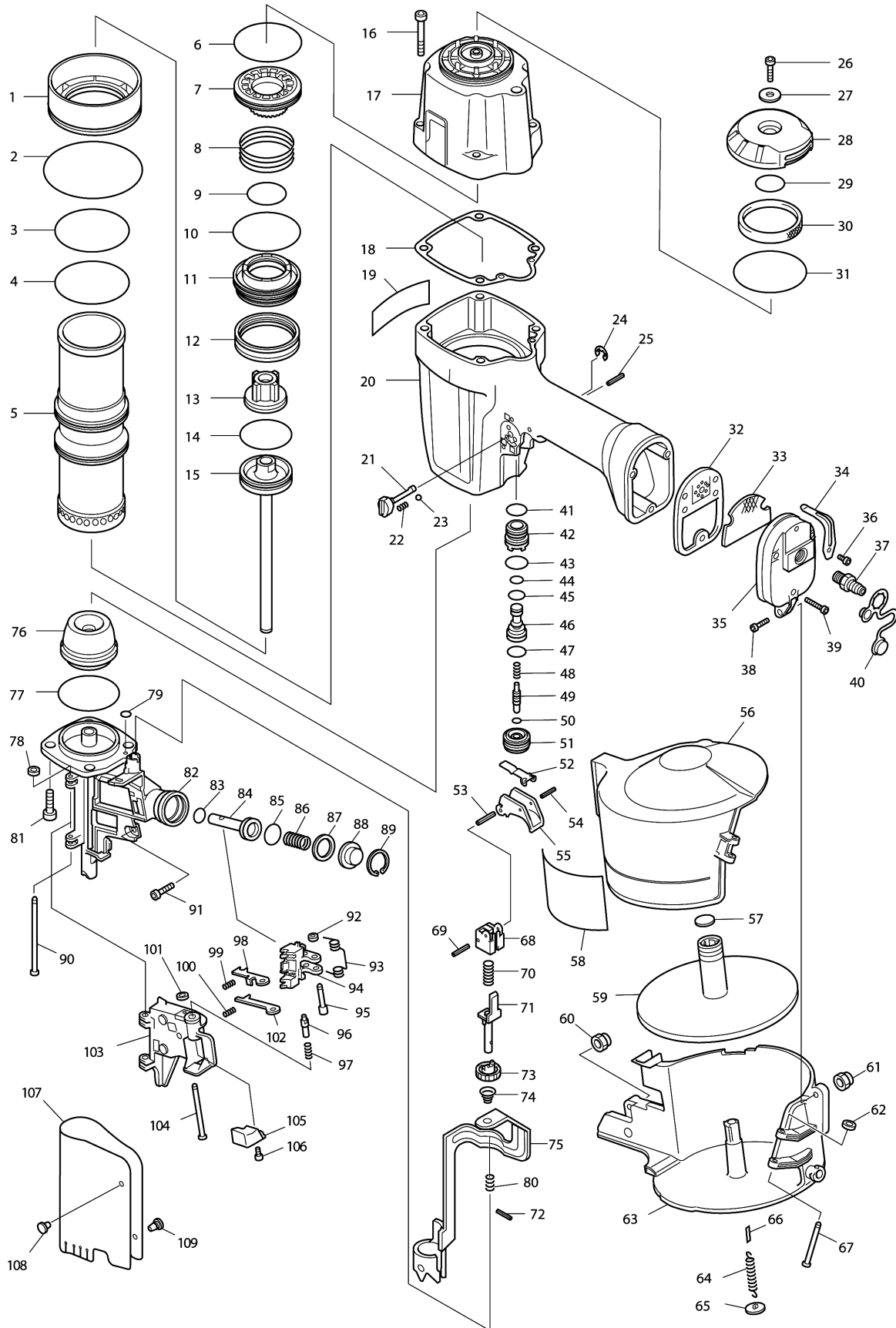


Model No.AN901 COIL NAILER



Model No.AN901 COIL NAILER

| Item | Parts No. | Description | I/C | Qty | New/Old | Opt. 1 | Opt. 2 | Note |
|-------|-----------|--------------------------------|-----|-----|---------|--------|--------|------|
| 001 | 416808-6 | CYLINDER SEPARATER | | 1 | | | | |
| 002 | 213761-5 | O RING 76 | | 1 | | | | |
| 003 | 213657-0 | O RING 53 | | 1 | | | | |
| 004 | 213605-9 | O RING 50 | | 1 | | | | |
| 005 | 331545-0 | CYLINDER | | 1 | | | | |
| 006 | 213657-0 | O RING 53 | | 1 | | | | |
| 007 | 416807-8 | SEPARATER | | 1 | | | | |
| 008 | 233241-5 | COMPRESSION SPRING 44 | | 1 | | | | |
| 009 | 213462-5 | O RING 33 | | 1 | | | | |
| 010 | 213657-0 | O RING 53 | | 1 | | | | |
| 011 | 416803-6 | HEAD VALVE | | 1 | | | | |
| 012 | 421661-7 | VALVE SHEET | | 1 | | | | |
| 013 | 421660-9 | CUSHION R | | 1 | | | | |
| 014 | 213504-5 | O RING 40 | | 1 | | | | |
| 015-1 | 152929-7 | DRIVER COMPLETE | | 1 | * | | | |
| 015-2 | 158606-9 | DRIVER COMPLETE | O | 1 | | | | |
| 016 | 922356-0 | HEX. SOCKET HEAD BOLT M6X35 | | 4 | | | | |
| 017 | 317817-7 | TOP CAP | | 1 | | | | |
| 018 | 162207-7 | TOP CAP GASKET | | 1 | | | | |
| 019 | 852034-7 | NAME PLATE AN901 | | 1 | | | | |
| 020 | 153927-4 | HOUSING COMPLETE | | 1 | | | | |
| C10 | 421527-1 | GRIP | | 1 | | | | |
| C20 | 421643-9 | HOUSING BUMPER R | | 1 | | | | |
| C30 | 421644-7 | HOUSING BUMPER L | | 1 | | | | |
| C40 | 812498-7 | INDICATION LABEL | | 1 | | | | |
| C50 | 817592-0 | CAUTION LABEL | | 1 | | | | |
| 021 | 162208-5 | LOCK PIN 6 | | 1 | | | | |
| 022 | 231236-2 | COMPRESSION SPRING 3 | | 1 | | | | |
| 023 | 216008-6 | STEEL BALL 4 | | 1 | | | | |
| 024 | 961011-9 | STOP RING E-4 | | 1 | | | | |
| 025 | 951075-1 | SPRING PIN 3-28 | | 2 | | | | |
| 026 | 265853-6 | HEX. SOCKET HEAD BOLT M5X18 | | 1 | | | | |
| 027 | 267171-8 | FLAT WASHER 6 | | 1 | | | | |
| 028 | 317128-0 | EXHAUST COVER | | 1 | | | | |
| 029 | 213320-5 | O RING 20 | | 1 | | | | |
| 030 | 323853-3 | FILTER | | 1 | | | | |
| 031 | 213654-6 | O RING 60 | | 1 | | | | |
| 032 | 162198-2 | INLET CAP GASKET | | 1 | | | | |
| 033 | 415784-1 | INLET FILTER | | 1 | | | | |
| 034 | 344720-9 | HOOK | | 1 | | | | |
| 035 | 317129-8 | INLET CAP | | 1 | | | | |

Please order the parts with part number.

Print Date 18/6/2019

Model No.AN901 COIL NAILER

| Item | Parts No. | Description | I/C | Qty | New/Old | Opt. 1 | Opt. 2 | Note |
|-------|-----------|--------------------------------|-----|-----|---------|--------|--------|------|
| 036 | 922212-4 | HEX. SOCKET HEAD BOLT M5X12 | | 1 | | | | |
| 037-2 | 286219-7 | CAP 12 | | 1 | | | | |
| 038 | 922232-8 | HEX. SOCKET HEAD BOLT M5X20 | | 1 | | | | |
| 039 | 922256-4 | HEX. SOCKET HEAD BOLT M5X35 | | 3 | | | | |
| 041 | 213176-6 | O RING 14 | | 1 | | | | |
| 042-1 | 417695-6 | TRIGGER VALVE GUIDE | | 1 | | | | |
| 043 | 213262-3 | O RING 18 | | 1 | | | | |
| 044 | 213039-6 | O RING 6 | | 1 | | | | |
| 045 | 213040-1 | O RING 8 | | 1 | | | | |
| 046-2 | 317520-0 | PILOT VALVE | | 1 | | | | |
| 047 | 213122-9 | O RING 12 | | 1 | | | | |
| 048 | 233239-2 | COMPRESSION SPRING 3 | | 1 | | | | |
| 049 | 323852-5 | TRIGGER VALVE STEM | | 1 | | | | |
| 050 | 213044-3 | O RING 3 | | 2 | | | | |
| 051-1 | 317521-8 | TRIGGER VALVE CASE | | 1 | | | | |
| 052 | 344265-7 | IDLER | | 1 | | | | |
| 053 | 951075-1 | SPRING PIN 3-28 | | 1 | | | | |
| 054 | 258004-8 | SPRING PIN 2.5-16 | | 1 | | | | |
| 055 | 415790-6 | TRIGGER | | 1 | | | | |
| 056 | 416811-7 | MAGAZINE CAP | | 1 | | | | |
| 057 | 414934-5 | HOLDER CAP | | 1 | | | | |
| 058 | 818599-9 | INDICATION LABEL | | 1 | | | | |
| 059 | 416810-9 | CHANGE PLATE | | 1 | | | | |
| 060 | 252103-8 | HEX. LOCK NUT M5-8 | | 1 | | | | |
| 061 | 252103-8 | HEX. LOCK NUT M5-8 | | 1 | | | | |
| 062 | 262054-7 | URETHANE RING 3 | | 1 | | | | |
| 063 | 153928-2 | MAGAZINE COMPLETE | | 1 | | | | |
| C10 | 810022-0 | CAUTION LABEL | | 1 | | | | |
| 064 | 231820-3 | TENSION SPRING 5 | | 1 | | | | |
| 065 | 414934-5 | HOLDER CAP | | 1 | | | | |
| 066 | 423232-6 | RUBBER PLATE 6-20 | | 1 | | | | |
| 067 | 268026-0 | PIN 4 | | 1 | | | | |
| 068-1 | 344895-4 | HOLDER | | 1 | | | | |
| 069 | 951075-1 | SPRING PIN 3-28 | | 1 | | | | |
| 070-1 | 233409-3 | COMPRESSION SPRING 7 | | 1 | | | | |
| 071 | 310055-0 | STOPPER | | 1 | | | | |
| 072 | 951010-9 | SPRING PIN 2-14 | | 1 | | | | |
| 073 | 310056-8 | ADJUSTER | | 1 | | | | |
| 074 | 231978-8 | CONICAL COMP. SPRING 9-16 | | 1 | | | | |
| 075 | 344721-7 | CONTACT ARM | | 1 | | | | |
| 076 | 421659-4 | CUSHION F | | 1 | | | | |

Please order the parts with part number.

Print Date 18/6/2019

Model No.AN901 COIL NAILER

| Item | Parts No. | Description | I/C | Qty | New/Old | Opt. 1 | Opt. 2 | Note |
|-------|-----------|--------------------------------|-----|-----|---------|--------|--------|------|
| 077 | 213604-1 | O RING 50 | | 1 | | | | |
| 078 | 262054-7 | URETHANE RING 3 | | 1 | | | | |
| 079 | 213017-6 | O RING 6 | | 1 | | | | |
| 080 | 233127-3 | COMPRESSION SPRING 7 | | 1 | | | | |
| 081 | 265386-1 | HEX. SOCKET HEAD BOLT M8X25 | | 4 | | | | |
| 082-1 | 134960-5 | DRIVER GUIDE ASS'Y | | 1 | | | | |
| C10 | 310063-1 | DRIVER GUIDE | | 1 | | | | |
| D10 | | INC. 78,83-90,92-109 | | | | | | |
| 083 | 213054-0 | O RING 9 | | 1 | | | | |
| 084 | 323851-7 | PISTON | | 1 | * | | | |
| 084-1 | 324876-4 | PISTON | O | 1 | | | | |
| 085 | 213304-3 | O RING 20 | | 1 | | | | |
| 086 | 233240-7 | COMPRESSION SPRING 11 | | 1 | | | | |
| 087 | 262080-6 | RUBBER RING 16 | | 1 | | | | |
| 088 | 344717-8 | CUP WASHER 5 | | 1 | | | | |
| 089 | 962106-1 | RETAINING RING R-28 | | 1 | | | | |
| 090 | 268039-1 | PIN 5 | | 1 | | | | |
| 091 | 922212-4 | HEX. SOCKET HEAD BOLT M5X12 | | 1 | | | | |
| 092 | 262054-7 | URETHANE RING 3 | | 1 | | | | |
| 093 | 231642-1 | TORSION SPRING 6 | | 1 | | | | |
| 094 | 310074-6 | FEEDING CLAW | | 1 | | | | |
| 095 | 268038-3 | PIN 5 | | 1 | | | | |
| 096 | 323850-9 | LOCK PIN | | 1 | | | | |
| 097 | 233201-7 | COMPRESSION SPRING 6 | | 1 | | | | |
| 098 | 344719-4 | CHECK CLAW R | | 1 | | | | |
| 099 | 233101-1 | COMPRESSION SPRING 4 | | 1 | | | | |
| 100 | 233101-1 | COMPRESSION SPRING 4 | | 1 | | | | |
| 101 | 262054-7 | URETHANE RING 3 | | 1 | | | | |
| 102 | 344718-6 | CHECK CLAW F | | 1 | | | | |
| 103 | 310072-0 | DOOR | | 1 | | | | |
| 104 | 268037-5 | PIN 4 | | 1 | | | | |
| 105 | 310050-0 | LOCK LEVER | | 1 | | | | |
| 106 | 266167-6 | HEX. SOCKET HEAD BOLT M4X10 | | 1 | | | | |
| 107 | 416809-4 | COVER | | 1 | | | | |
| 108 | 421418-6 | RUBBER PIN 9.5 | | 1 | | | | |
| 109 | 421418-6 | RUBBER PIN 9.5 | | 1 | | | | |
| A01 | 192517-8 | SAFETY GOGGLE | | 1 | * | | | |
| A01-1 | 195246-2 | SAFETY GOGGLE | < | 1 | * | | | |
| A02 | 181434-7 | OIL SUPPLY 30CC | | 1 | | | | |
| A03 | 421658-6 | NOSE ADAPTER | | 1 | | | | |
| A04 | 783202-0 | HEX. WRENCH 4 | | 1 | | | | |

Please order the parts with part number.

Print Date 18/6/2019

Model No.AN901 COIL NAILER

| Item | Parts No. | Description | I/C | Qty | New/Old | Opt. 1 | Opt. 2 | Note |
|------|-----------|-----------------------|-----|-----|---------|--------|--------|------|
| A05 | 824545-2 | PLASTIC CASE | | 1 | | | | |
| C10 | 417075-6 | LATCH | | 2 | | | | |
| A06 | 805507-9 | AN901 MODEL NO. LABEL | | 1 | | | | |

Please order the parts with part number.

Print Date 18/6/2019