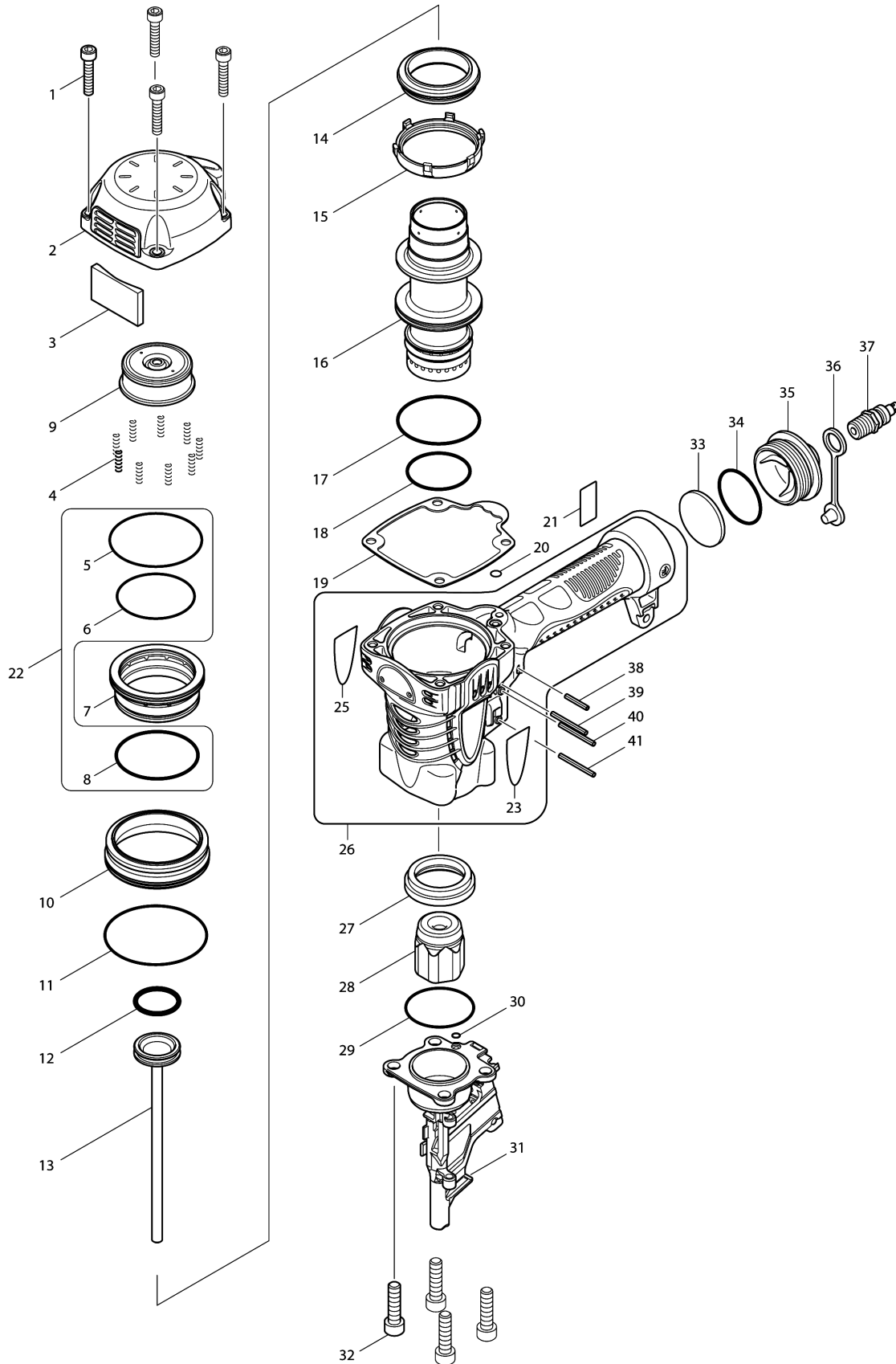
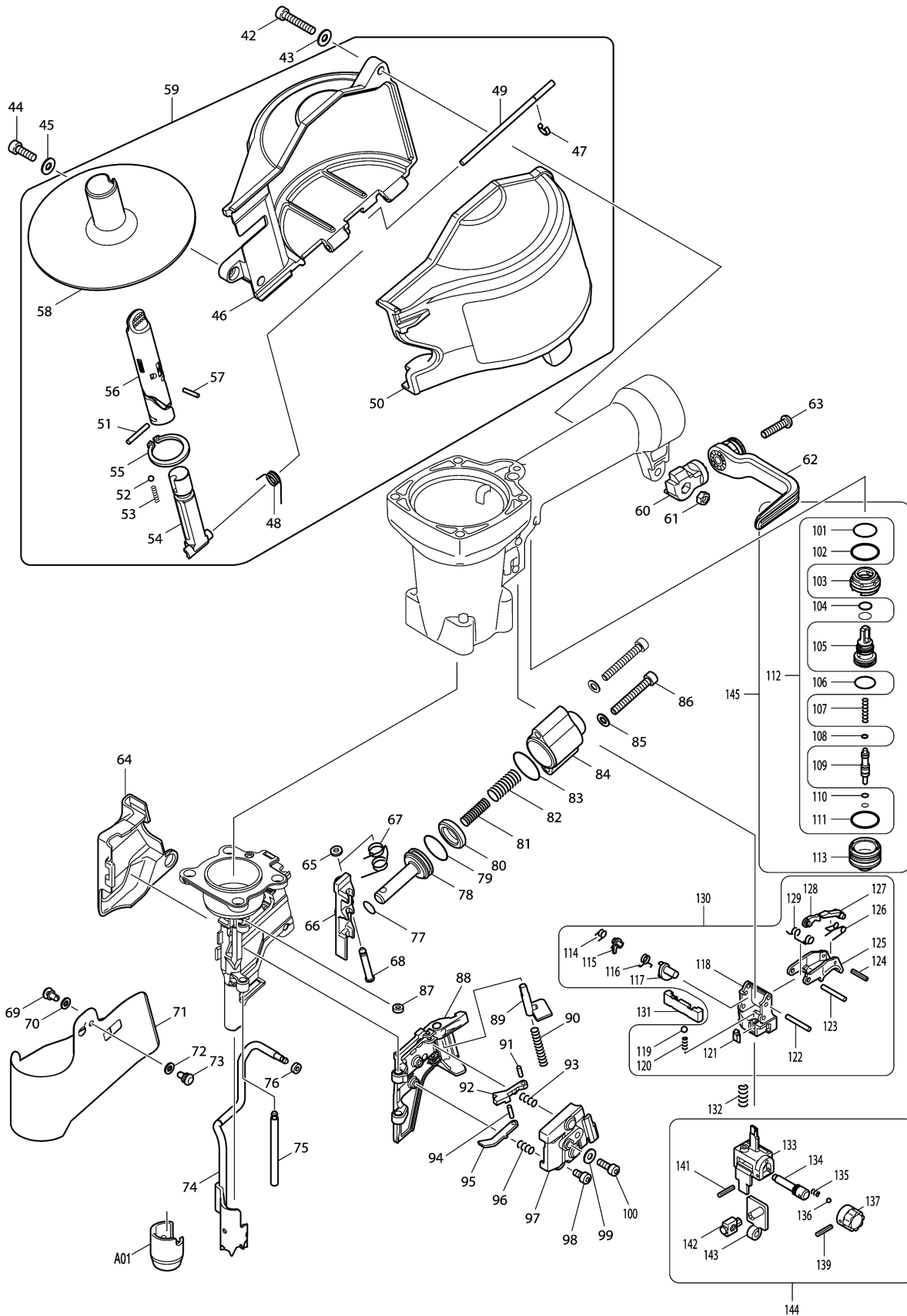


Model No.AN711H PNEUMATIC COIL NAILER



Model No.AN711H PNEUMATIC COIL NAILER



Model No.AN711H PNEUMATIC COIL NAILER

Item	Parts No.	Description	I/C	Qty	New/Old	Opt. 1	Opt. 2	Note
001	265566-9	HEX SOCKET HEAD BOLT M6X30		4				
002	158219-6	TOPCAP COMPLETE		1				
003	413112-4	FILTER		1				
004	233484-9	COMPRESSION SPRING 4		9				
005	213668-5	O RING 60		1				
006	213612-2	O RING 50		1				
007	419842-5	HEAD VALVE		1				
008	213657-0	O RING 53		1				
009	424012-3	REAR CUSHION		1				
010	331764-8	HEAD VALVE GUIDE		1				
011	213720-9	O RING 67		1				
012	213982-9	O-RING 26		1				
013	168439-4	DRIVER		1				
014	424013-1	VALVE SEAT		1				
015	331759-1	CYLINDER STAY		1				
016	331763-0	CYLINDER		1				
017	213657-0	O RING 53		1				
018	213531-2	O-RING 39		1				
019	162254-8	TOP CAP GASKET		1				
020	213045-1	O-RING 6		1				
021	866122-4	AN711H NAME PLATE		1				
022	194737-0	AIR LEAK REPAIR SET		1				
D10		INC. 5,6,8,112						
023	819324-1	MAKITA ROGO LABEL L		1				
025	819323-3	MAKITA LOGO LABEL R		1				
026	188603-1	HOUSING SET		1				
C10	816919-1	INDICATION LABEL		1				
D10		INC. 23,25						
027	331758-3	CYLINDER GUIDE		1				
028	424011-5	FRONT CUSHION		1				
029	213554-0	O RING 44		1				
030	213023-1	O RING 4		1				
031	310224-3	DRIVER GUIDE		1				
032	265565-1	HEX SOCKET HEAD BOLT M8X30		4				
033	413105-1	INLET FILTER		1				
034	213521-5	O RING 36		1	*			
034-1	213506-1	O RING 36	O	1				
035	318108-9	INLET CAP		1				
036	286280-4	CAP 9		1				
037	243105-5	ONE-TOUCH JOINT H22PM		1				
038	951069-6	SPRING PIN 3-20		1				

Please order the parts with part number.

Print Date 18/6/2019

Model No.AN711H PNEUMATIC COIL NAILER

Item	Parts No.	Description	I/C	Qty	New/Old	Opt. 1	Opt. 2	Note
039	951078-5	SPRING PIN 3-32		1				
040	951078-5	SPRING PIN 3-32		1				
041	951078-5	SPRING PIN 3-32		1				
042	265570-8	HEX.SOCKET HEAD BOLT M5X28		1				
043	267343-5	FLAT WASHER 5		1				
044	265563-5	HEX SOCKET HEAD BOLT M5X16		1				
045	267343-5	FLAT WASHER 5		1				
046	419853-0	MAGAZINE		1				
047	259042-3	STOP RING E-3		1				
048	233505-7	TORSION SPRING 7		1				
049	256773-5	PIN 4		1				
050	158920-3	MAGAZINE CAP COMPLETE		1				
051	268181-8	PIN 3		1				
052	216001-0	STEEL BALL 3.5		1				
053	233492-0	COMPRESSION SPRING 2		1				
054	419863-7	ADJUST SHAFT		1				
055	961105-0	RETAINING RING S-25		1				
056	419864-5	ADJUST SLEEVE		1				
057	268169-8	PIN 2.5		1	*			
057-1	268272-5	PIN 2.5	O	1				
058	419851-4	CHANGE PLATE		1				
059	135255-9	MAGAZINE ASS'Y		1				
D10		INC. 46-58						
060	162255-6	HOOK BASE		1				
061	931202-6	HEX. NUT M5		1				
062	168499-6	HOOK		1				
063	265176-2	PAN.HD.SCREW M5X22		1				
064	419852-2	CONTACT ARM COVER		1				
065	262130-7	URETHANE RING 4		1				
066	310231-6	FEEDING CLAW		1				
067	233515-4	TORSION SPRING 9		1				
068	268180-0	PIN 4.5		1				
069	255174-4	PUSH RIVET		1				
070	941052-1	FLAT WASHER 4		1				
071	413113-2	COVER		1				
072	941052-1	FLAT WASHER 4		1				
073	255174-4	PUSH RIVET		1				
074	165462-0	CONTACT ARM		1				
075	268179-5	PIN 5		1				
076	262120-0	URETHANE RING 3		1				
077	213054-0	O RING 9		1				

Please order the parts with part number.

Print Date 18/6/2019

Model No.AN711H PNEUMATIC COIL NAILER

Item	Parts No.	Description	I/C	Qty	New/Old	Opt. 1	Opt. 2	Note
078	324766-1	PISTON		1				
079	213154-6	O RING 14		1				
080	262129-2	RUBBER RING 13		1				
081	234007-6	COMPRESSION SPRING 6		1				
082	234008-4	COMPRESSION SPRING 9		1				
083	213008-7	O RING 22.4		1				
084	419840-9	CYLINDER		1				
085	267345-1	FLAT WASHER 5		2				
086	265562-7	HEX SOCKET HEAD BOLT M5X35		2				
087	262120-0	URETHANE RING 3		1				
088	310317-6	DOOR		1				
089	310233-2	LOCK LEVER		1				
090	233486-5	COMPRESSION SPRING 5		1				
091	268177-9	PIN 2.5		1				
092	310232-4	NAIL HOLDER		1	*			
092-1	310451-2	NAIL HOLDER	O	1				
093	234009-2	COMPRESSION SPRING 4		1				
094	268177-9	PIN 2.5		1				
095	345802-0	CHECK CLAW		1				
096	234010-7	COMPRESSION SPRING 5		1				
097	419861-1	DOOR COVER		1				
098	265911-8	HEX. SOCKET HEAD BOLT M4X8		1	*			
098-1	922107-1	HEX. SOCKET HEAD BOLT M4X8	X	1				
099	941051-3	FLAT WASHER 4		1				
100	266201-2	HEX.SOCKET HEAD BOLT M4X14		1	*			
100-1	922122-5	HEX.SOCKET HEAD BOLT M4X14	X	1				
101	213233-0	O-RING 15		1				
102	213275-4	O RING 18		1				
103	419841-7	TRIGGER VALVE GUIDE		1				
104	213968-3	O-RING 7		2				
105	419958-6	PILOT VALVE		1	*			
105-1	456261-4	PILOT VALVE	<	1				
106	213185-5	O-RING 12.5		1				
107	234014-9	COMPRESSION SPRING 3		1	*			
107-1	234187-8	COMPRESSION SPRING 3	<	1				
108	213034-6	O RING 3		1	*			
108-1	213044-3	O RING 3	S	1				
109	324743-3	TRIGGER VALVE STEM		1	*			
109-1	326189-9	TRIGGER VALVE STEM	S	1				
110	213979-8	O-RING 3		2	*			

Please order the parts with part number.

Print Date 18/6/2019

Model No.AN711H PNEUMATIC COIL NAILER

Item	Parts No.	Description	I/C	Qty	New/Old	Opt. 1	Opt. 2	Note
110-1	213640-7	O-RING 3	S	2				
111	213275-4	O RING 18		1				
112	194737-0	AIR LEAK REPAIR SET		1				
D10		INC. 22,101,102,104,106,108,						
D20		INC. 110,111						
113	331741-0	TRIGGER VALVE CASE		1				
114	233501-5	TORSION SPRING 5		1				
115	310199-6	STOPPER PLATE		1				
116	233502-3	TORSION SPRING 6		1	*			
116-1	233576-4	TORSION SPRING 6	<	1				
117	310310-0	LEVER		1				
118	419844-1	TRIGGER BASE		1				
119	216024-8	STEEL BALL 4		1	*			
119-1	326144-1	LOCK PIN	<	1				
120	233490-4	COMPRESSION SPRING 2		1				
121	419743-7	SPRING COVER		1				
122	268168-0	PIN 3		1				
123	268168-0	PIN 3		1				
124	951007-8	SPRING PIN 2-12		1				
125	310294-2	TRIGGER		1				
126	231699-2	TORSION SPRING 4		1				
127	310196-2	TRIP LEVER		1				
128	310198-8	LEVER		1				
129	233503-1	TORSION SPRING 4		1				
130	135231-3	TRIGGER ASS'Y		1	*			
D10		INC. 114-129			*			
130-1	135494-1	TRIGGER ASS'Y	O	1				
D10		INC. 114-129						
131	310293-4	CHANGE ROD		1				
132	233489-9	COMPRESSION SPRING 6		1				
133	310227-7	UPPER YOKE		1				
134	324767-9	ADJUSTER SHAFT		1				
135	233491-2	COMPRESSION SPRING 2		1				
136	216031-1	STEEL BALL 2.3		1				
137	158747-1	ADJUSTER COMPLETE		1				
139	951010-9	SPRING PIN 2-14		1				
141	951010-9	SPRING PIN 2-14		1				
142	310201-5	ADJUSTER PIECE		1				
143	345801-2	SLIDE PLATE		1				
144	135228-2	ADJUSTER ASSY		1				
D10		INC. 133-137,139,141-143						
145	135597-1	TRIGGER VALVE ASS'Y		1	*			

Please order the parts with part number.

Print Date 18/6/2019

Model No.AN711H PNEUMATIC COIL NAILER

Item	Parts No.	Description	I/C	Qty	New/Old	Opt. 1	Opt. 2	Note
D10		INC. 101-111,113			*			
145-1	135682-0	TRIGGER VALVE ASS'Y	<	1				
D10		INC. 101-111,113						
A01	424136-5	NOSE ADAPTER		1				
A02	824792-5	PLASTIC CARRYING CASE		1				
C10	188610-4	SLIDE LATCH RL SET		1				
A03	192517-8	SAFETY GOGGLE		1	*			
A03-1	195246-2	SAFETY GOGGLE	<	1	*			
A04	194381-3	OIL SUPPLY SET		1				

Please order the parts with part number.

Print Date 18/6/2019