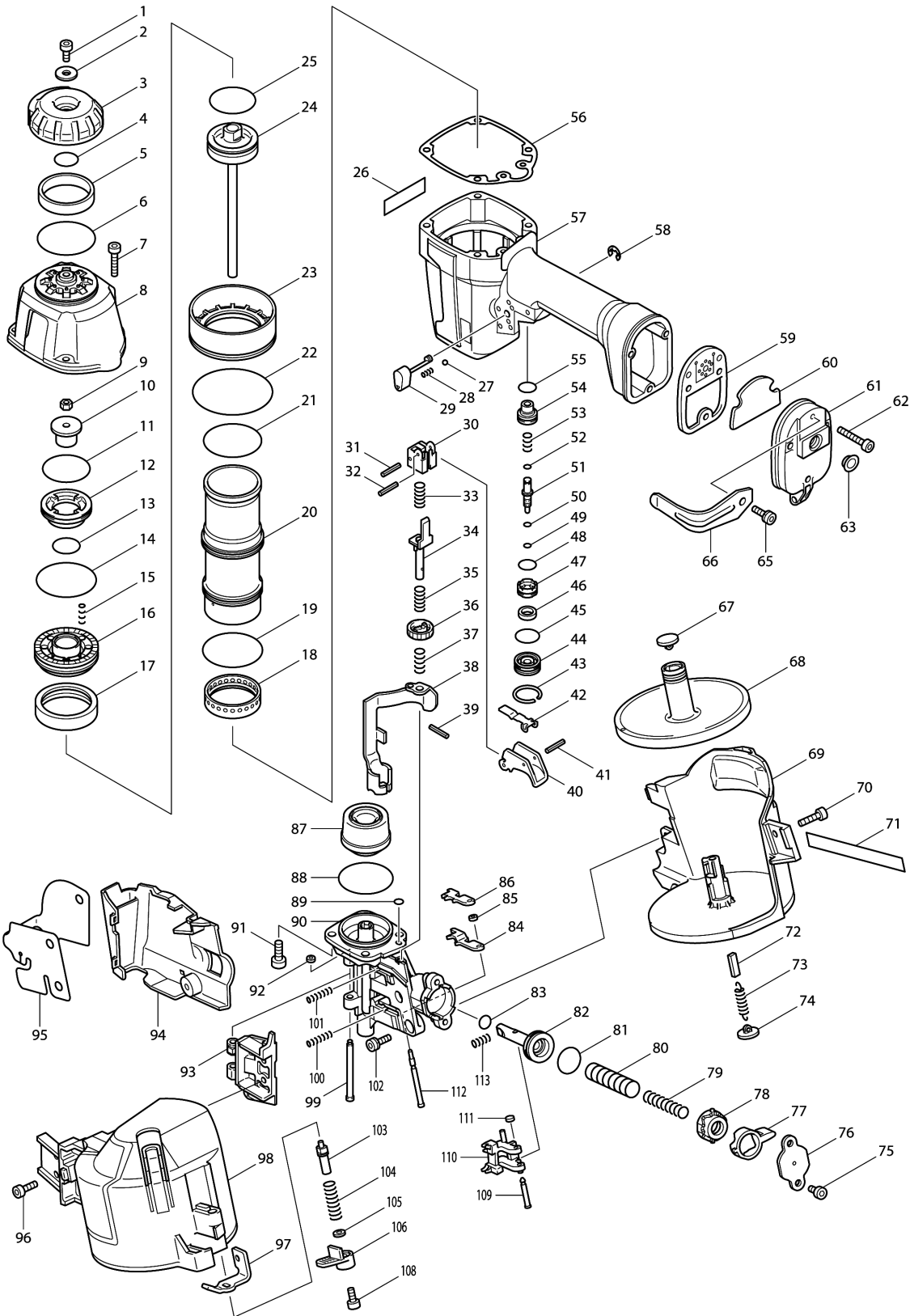


Model No.AN621 PNEUMATIC COIL NAILER



Model No.AN621 PNEUMATIC COIL NAILER

Item	Parts No.	Description	I/C	Qty	New/Old	Opt. 1	Opt. 2	Note
001	265903-7	HEX. SOCKET HEAD BOLT M5X12		1				
002	267171-8	FLAT WASHER 6		1				
003	317345-2	EXTHAUST COVER		1				
004	213255-0	O RING 18		1				
005	323863-0	EXHAUST FILTER		1				
006	213604-1	O RING 50		1				
007	922242-5	HEX. SOCKET HEAD BOLT M5X25		4				
008	317287-0	TOP CAP		1				
009	931202-6	HEX. NUT M5		1				
010	421573-4	CUSHION R		1				
011	213513-4	O RING 39		1				
012	416234-9	SEPARATOR		1				
013	213393-8	O RING 23		1				
014	213616-4	O RING 48		1				
015	233199-8	COMPRESSION SPRING 3		8				
016	416236-5	HEAD VALVE		1				
017	421576-8	VALVE SHEET		1				
018	323979-1	CUSHION GUIDE		1				
019	213616-4	O RING 48		1				
020	331573-5	CYLINDER		1				
021	213608-3	O RING 47		1				
022	213706-3	O RING 67		1				
023	416235-7	CYLINDER SEPARATOR		1				
024	152756-2	DRIVER COMPLETE		1				
025	213521-5	O RING 36		1				
026	852995-1	NAME PLATE AN621		1				
027	216008-6	STEEL BALL 4		1				
028	231236-2	COMPRESSION SPRING 3		1				
029	162189-3	LOCK PIN 6		1				
030	344895-4	HOLDER		1				
031	951075-1	SPRING PIN 3-28		1				
032	951075-1	SPRING PIN 3-28		1				
033	233039-0	COMPRESSION SPRING 7		1				
034	310104-3	STOPPER		1				
035	233267-7	COMPRESSION SPRING 7		1				
036	310101-9	ADJUSTER		1				
037	233382-7	COMPRESSION SPRING 6		1				
038	344865-3	CONTACT ARM		1				
039	951010-9	SPRING PIN 2-14		1				
040	415790-6	TRIGGER		1				
041	258004-8	SPRING PIN 2.5-16		1				

Model No.AN621 PNEUMATIC COIL NAILER

Item	Parts No.	Description	I/C	Qty	New/Old	Opt. 1	Opt. 2	Note
042	344265-7	IDLER		1				
043	258010-3	SPRING PIN 2.5-25		2				
044	323727-8	TRIGGER VALVE CASE		1				
045	213315-8	O RING 19		1				
046	257229-1	RING 12		1				
047	415789-1	PILOT VALVE		1				
048	213162-7	O RING 14		1				
049	213023-1	O RING 4		1				
050	213023-1	O RING 4		1				
051	323978-3	TRIGGER VALVE STEM		1				
052	213023-1	O RING 4		1				
053	233189-1	COMPRESSION SPRING 6		1				
054	416379-3	TRIGGER VALVE GUIDE		1				
055	213162-7	O RING 14		1				
056	162190-8	TOP CAP GASKET		1				
057	152844-5	HOUSING COMPLETE		1	*			
C10	421527-1	GRIP		1	*			
C20	421643-9	HOUSING BUMPER R		1	*			
C30	421644-7	HOUSING BUMPER L		1	*			
C40	810767-0	CAUTION LABEL		1	*			
C50	816791-1	OPERATIONAL INDICATION LABEL		1	*			
057-1	158105-1	HOUSING COMPLETE	<	1				
C10	421527-1	GRIP		1				
C20	421643-9	HOUSING BUMPER R		1				
C30	421644-7	HOUSING BUMPER L		1				
C40	816791-1	OPERATIONAL INDICATION LABEL		1				
058	961011-9	STOP RING E-4		1				
059	162198-2	INLET CAP GASKET		1				
060	415784-1	INLET FILTER		1				
061	317129-8	INLET CAP		1				
062	922252-2	HEX. SOCKET HEAD BOLT M5X30		3				
063-2	286219-7	CAP 12		1				
065	922216-6	HEX. SOCKET HEAD BOLT M5X14		1				
066	344720-9	HOOK		1				
067	414934-5	HOLDER CAP		1				
068	417173-6	CHANGE PLATE		1				
069	154455-2	MAGAZINE COMPLETE		1				
C10	810071-7	CAUTION LABEL		1				
070	265973-6	HEX. SOCKET HEAD BOLT M5X20		1				
071	813776-8	INDICATION LABEL		1				

Model No.AN621 PNEUMATIC COIL NAILER

Item	Parts No.	Description	I/C	Qty	New/Old	Opt. 1	Opt. 2	Note
072	423232-6	RUBBER PLATE 6-20		1				
073	231791-4	TENSION SPRING 5		1				
074	414934-5	HOLDER CAP		1				
075	265903-7	HEX. SOCKET HEAD BOLT M5X12		2				
076	344864-5	CYLINDER COVER		1				
077	310102-7	CHANGE LEVER		1				
078	310103-5	PISTON STOPPER		1				
079	233198-0	COMPRESSION SPRING 9		1				
080	233268-5	COMPRESSION SPRING 14		1				
081	213379-2	O RING 21		1				
082	323977-5	PISTON		1				
083	213055-8	O RING 10		1				
084	344862-9	CHECK CLAW F		1				
085	262054-7	URETHANE RING 3		1				
086	344863-7	CHECK CLAW R		1				
087	421722-3	CUSHION F		1				
088	213569-7	O RING 45		1				
089	213017-6	O RING 6		1				
090	151924-4	DRIVER GUIDE COMPLETE		1				
091	265844-7	HEX. SOCKET HEAD BOLT M6X20		4				
092	262054-7	URETHANE RING 3		1				
093	310106-9	DOOR		1				
094	417175-2	CONTACT ARM COVER		1				
095	417174-4	COVER		1				
096	266233-9	HEX. SOCKET HEAD BOLT M5X12		2				
097	344861-1	MAGAZINE LOCK		1				
098	417176-0	MAGAZINE CAP		1				
099	268025-2	PIN 5		1				
100	233265-1	COMPRESSION SPRING 5		1				
101	233265-1	COMPRESSION SPRING 5		1				
102	922216-6	HEX. SOCKET HEAD BOLT M5X14		1				
103	323976-7	LOCK PIN		1				
104	233197-2	COMPRESSION SPRING 7		1				
105	267010-2	FLAT WASHER 5		1				
106	414933-7	LOCK LEVER		1				
108	266233-9	HEX. SOCKET HEAD BOLT M5X12		1				
109	268050-3	PIN 4		1				
110	310105-1	FEEDING CLAW		1				
111	262054-7	URETHANE RING 3		1				
112	268051-1	PIN 4		1				

Model No.AN621 PNEUMATIC COIL NAILER

Item	Parts No.	Description	I/C	Qty	New/Old	Opt. 1	Opt. 2	Note
113	233266-9	COMPRESSION SPRING 5		1				
A01	192517-8	SAFETY GOGGLE		1	*			
A01-1	195246-2	SAFETY GOGGLE	<	1	*			
A02	181434-7	OIL SUPPLY 30CC		1				
A03	783202-0	HEX. WRENCH 4		1				
A04	824582-6	PLASTIC CARRYING CASE		1				
C10	186347-7	SLIDE LATCH SET		1				

Please order the parts with part number.

Print Date 24/9/2020