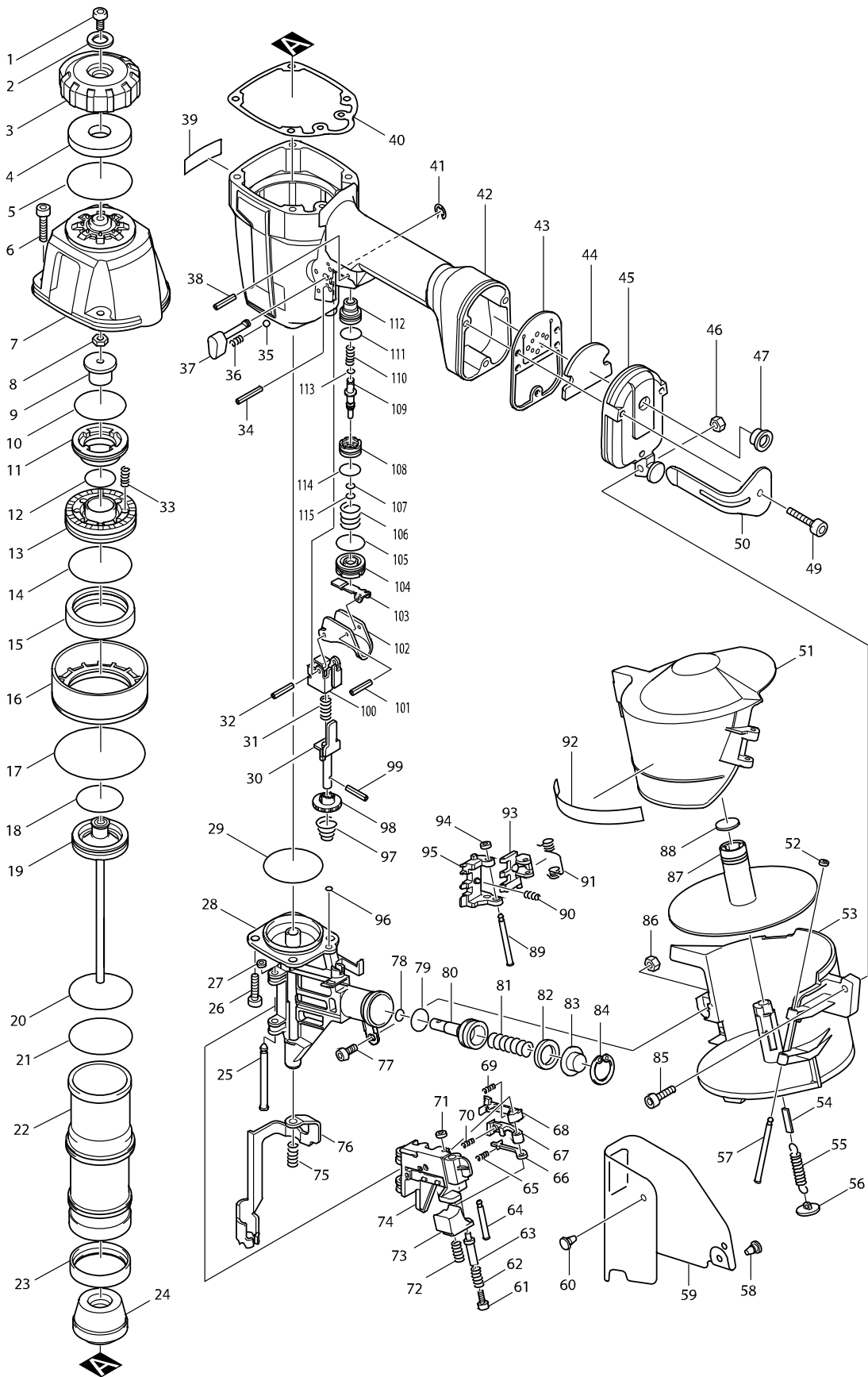


Model No. AN611 PNEUMATIC COIL NAILER



Item	Parts No.	Description	I/C	Qty	N/O	Opt. 1	Opt. 2	Note
001	266169-2	H.S. BUTTON HEAD BOLT M5X12		1				
002	267171-8	FLAT WASHER 6		1				
003	416233-1	EXTHAUST COVER		1				
004	423300-5	FILTER		1	*			
004-1	422445-6	FILTER	O	1				
005	213604-1	O RING 50		1				
006	922242-5	HEX. SOCKET HEAD BOLT M5X25		4				
007-1	317287-0	TOP CAP		1				
008	931202-6	HEX. NUT M5		1				
009	421573-4	CUSHION R		1				
010	213513-4	O RING 39		1				
011	416234-9	SEPARATOR		1				
012	213393-8	O RING 23		1				
013	416236-5	HEAD VALVE		1				
014	213616-4	O RING 48		1				
015	421576-8	VALVE SHEET		1				
016	416235-7	CYLINDER SEPARATOR		1				
017	213706-3	O RING 67		1				
018	213521-5	O RING 36		1				
019	150744-3	DRIVER COMPLETE		1				
020	213608-3	O RING 47		1				
021	213615-6	O RING 46		1				
022-1	331567-0	CYLINDER		1				
023	323716-3	CUSHION GUIDE		1				
024	421575-0	CUSHION F		1				
025	268025-2	PIN 5		1				
026	265844-7	HEX. SOCKET HEAD BOLT M6X20		4				
027	262054-7	URETHANE RING 3		1				
028-1	310169-5	DRIVER GUIDE		1				
029	213569-7	O RING 45		1				
030	310055-0	STOPPER		1				
031	233197-2	COMPRESSION SPRING 7		1				
032	951075-1	SPRING PIN 3-28		1				
033	233199-8	COMPRESSION SPRING 3		8				
034	951075-1	SPRING PIN 3-28		1				
035	216008-6	STEEL BALL 4		1				
036	231236-2	COMPRESSION SPRING 3		1				
037	162189-3	LOCK PIN 6		1				
038	258010-3	SPRING PIN 2.5-25		2				
039-1	863754-8	NAME PLATE AN611		1				
040	162190-8	TOP CAP GASKET		1				
041	961011-9	STOP RING E-4		1				
042B_	151592-3	HOUSING COMPLETE		1				
C10	421527-1	GRIP		1				
C20	421643-9	HOUSING BUMPER R		1				
C30	421644-7	HOUSING BUMPER L		1				
C40	816312-9	INDICATION LABEL		1				
043	162198-2	INLET CAP GASKET		1				

Item	Parts No.	Description	I/C	Qty	N/O	Opt. 1	Opt. 2	Note
044	415784-1	INLET FILTER		1				
045	316887-3	INLET CAP		1				
046-1	252103-8	HEX. LOCK NUT M5-8		1				
047A2	286219-7	CAP 12		1				
049	922252-2	HEX. SOCKET HEAD BOLT M5X30		3				
050	344267-3	HOOK		1				
051	416237-3	MAGAZINE CAP		1	*			
051-1	141201-2	MAGAZINE CAP COMPLETE	S	1				
C10	810071-7	CAUTION LABEL		1				
052	262054-7	URETHANE RING 3		1				
053	141020-6	MAGAZINE COMPLETE		1	*			
C10	810071-7	CAUTION LABEL		1	*			
053-1	416239-9	MAGAZINE	S	1				
054	423232-6	RUBBER PLATE 6-20		1				
055	231791-4	TENSION SPRING 5		1				
056	414934-5	HOLDER CAP		1				
057	268026-0	PIN 4		1				
058	421418-6	RUBBER PIN 9.5		1				
059	413069-9	COVER		1				
060	421418-6	RUBBER PIN 9.5		1				
061	266167-6	HEX. SOCKET HEAD BOLT M4X10		1				
062	233201-7	COMPRESSION SPRING 6		1				
063	323713-9	LOCK PIN		1				
064	268024-4	PIN 4		1				
065	233101-1	COMPRESSION SPRING 4		1				
066	344633-4	CHECK CLAW		1				
067-1	310179-2	NAIL HOLDER		1				
068-1	310184-9	ARM		1				
069	233101-1	COMPRESSION SPRING 4		1				
070	233101-1	COMPRESSION SPRING 4		1				
071	262054-7	URETHANE RING 3		1				
072	233204-1	COMPRESSION SPRING 5		1				
073	310050-0	LOCK LEVER		1				
074-2	310180-7	DOOR		1				
075	233127-3	COMPRESSION SPRING 7		1				
076-1	345640-0	CONTACT ARM		1				
077-3	265487-5	H.S. BUTTON HEAD BOLT M5X16		1				
078	213054-0	O RING 9		1				
079	213261-5	O RING 17		1				
080	323714-7	PISTON		1				
081	233198-0	COMPRESSION SPRING 9		1				
082	262075-9	RUBBER RING 16		1				
083	344452-8	CUP WASHER 5		1				
084	962103-7	RETAINING RING R-24		1				
085-1	922231-0	HEX. SOCKET HEAD BOLT M5X20		1				
087	416238-1	CHANGE PLATE		1				
088	414934-5	HOLDER CAP		1				
089	268027-8	PIN 4		1				

