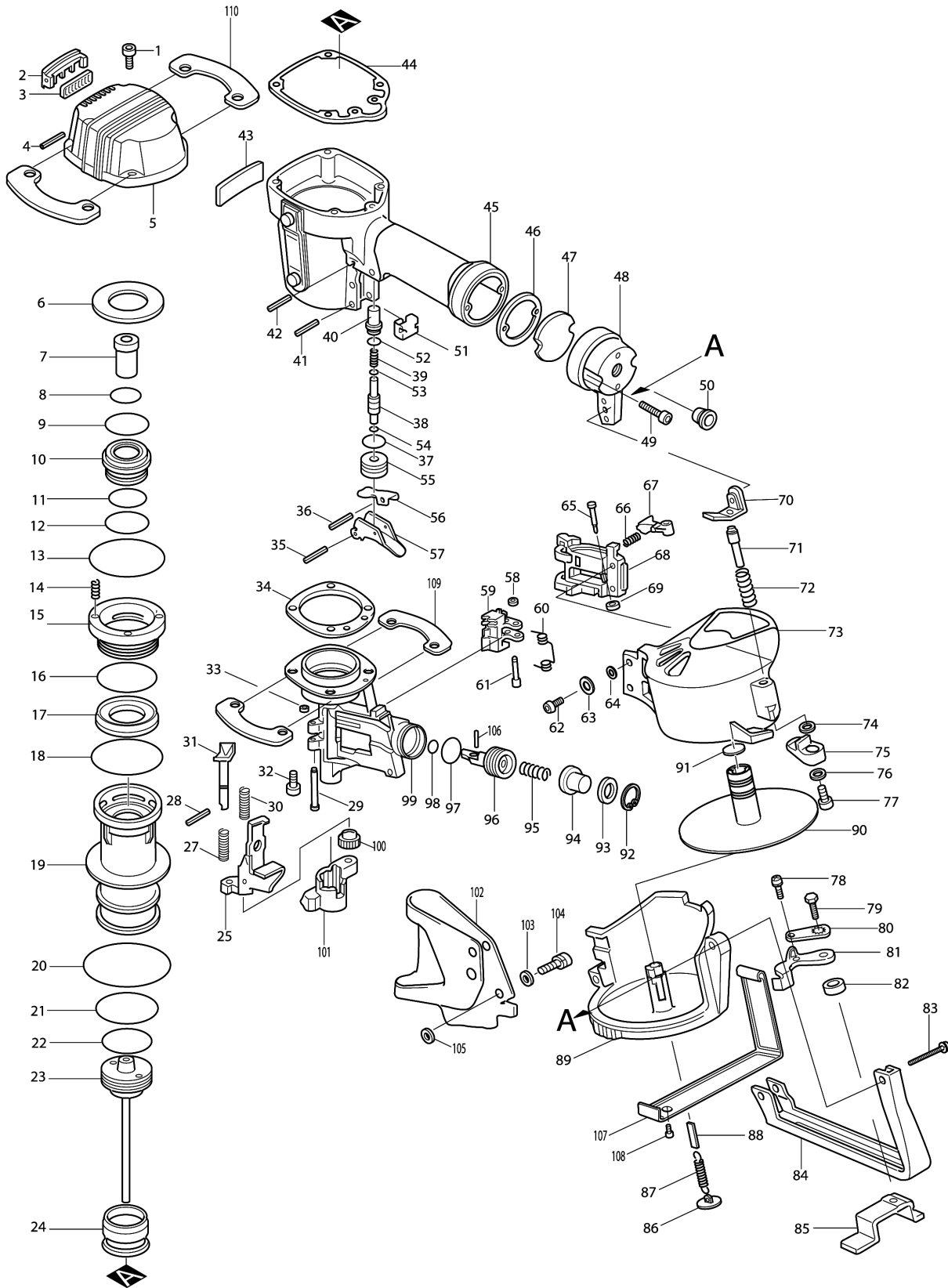


# Model No.AN451 PNEUMATIC ROOFING COIL NAILER





## Model No.AN451 PNEUMATIC ROOFING COIL NAILER

Item	Parts No.	Description	I/C	Qty	New/Old	Opt. 1	Opt. 2	Note
001-1	922241-7	HEX. SOCKET HEAD BOLT M5X25		4				
002	414957-3	COVER		1				
003	415235-4	MUFFLER		1				
004	258018-7	SPRING PIN 2.5-9		2				
005-3	151605-0	TOP CAP COMPLETE		1				
C10	819734-2	INDICATION LABEL		1				
006	261093-4	URETHANE WASHER 32		1				
007	421399-4	CUSHION R		1				
008	213416-2	O RING 26		1				
009	213462-5	O RING 33		1				
010	414935-3	MAIN VALVE		1				
011	213424-3	O RING 27		1				
012	213423-5	O RING 30		1				
013	213665-1	O RING 56		1				
014	233038-2	COMPRESSION SPRING 5		4				
015	316380-7	SUB VALVE		1				
016	213558-2	O RING 42		1				
017	421400-5	VALVE SHEET		1				
018-1	213656-2	O RING 53		1				
019	316409-9	CYLINDER		1				
020	213706-3	O RING 67		1				
021-1	213613-0	O RING 45		1				
022	213475-6	O RING 34		1				
023	150383-9	DRIVER COMPLETE		1				
024	421491-6	CUSHION F		1				
025-1	165207-6	CONTACT ARM		1				
027	233097-6	COMPRESSION SPRING 7		1				
028	258021-8	SPRING PIN 2-9		1				
029	256678-9	PIN 4		1				
030	233096-8	COMPRESSION SPRING 5		1				
031	162170-4	LEVER PIN 6		1				
032-1	265929-9	HEX. SOCKET HEAD BOLT M6X22		4				
033	262054-7	URETHANE RING 3		1				
034	442118-5	DRIVER GUIDE GASKET		1				
035	951072-7	SPRING PIN 3-24		1				
036	258004-8	SPRING PIN 2.5-16		1				
037	213218-6	O RING 16		1				
038	322530-4	TRIGGER VALVE STEM		1				
039-1	233425-5	COMPRESSION SPRING 3		1				
040	322531-2	PILOT VALVE		1				
041	951072-7	SPRING PIN 3-24		1				

Please order the parts with part number.

Print Date 18/6/2019

## Model No.AN451 PNEUMATIC ROOFING COIL NAILER

Item	Parts No.	Description	I/C	Qty	New/Old	Opt. 1	Opt. 2	Note
042	258020-0	SPRING PIN 2.5-22		2				
043	857129-1	NAME PLATE AN451		1				
044	442109-6	TOP CAP GASKET		1				
045-3	151604-2	HOUSING COMPLETE		1				
C10	819733-4	INDICATION LABEL		1				
C20	819732-6	INDICATION LABEL		1				
046	442110-1	INLET CAP GASKET		1				
047	413054-2	INLET FILTER		1				
048-1	317861-4	INLET CAP		1				
049	922242-5	HEX. SOCKET HEAD BOLT M5X25		2				
050	286219-7	CAP 12		1				
051	343879-9	HOLDER		1				
052	213030-4	O RING 8		1				
053-1	213957-8	O RING 2		1				
054-1	213957-8	O RING 2		1				
055	322380-7	TRIGGER VALVE CASE		1				
056-1	344258-4	IDLER		1				
057-1	165133-9	TRIGGER		1				
058	262054-7	URETHANE RING 3		1				
059-1	310098-2	FEEDING CLAW		1				
060	231603-1	TORSION SPRING 6		1				
061	256432-1	PIN 4-4.5		1				
062-1	265903-7	HEX. SOCKET HEAD BOLT M5X12		1				
063	253999-0	WASHER 5		1				
064-1	267010-2	FLAT WASHER 5		1				
065	256679-7	PIN 4		1				
066	233095-0	COMPRESSION SPRING 4		1				
067	311913-3	CHECK CLAW		1				
068	311914-1	DOOR		1				
069	262054-7	URETHANE RING 3		1				
070-1	344256-8	MAGAZINE LOCK		1				
071	322532-0	LOCK PIN		1				
072	231307-5	COMPRESSION SPRING 6		1				
073	154457-8	MAGAZINE CAP COMPLETE		1				
C10	810072-5	CAUTION LABEL		1				
074	267010-2	FLAT WASHER 5		1				
075	414933-7	LOCK LEVER		1				
077-1	266233-9	HEX. SOCKET HEAD BOLT M5X12		1				
078	911105-0	PAN HEAD SCREW M4X6		1				
079	921322-4	HEX. BOLT M6X16		1				
080	341718-7	LOCK PLATE		1				

Please order the parts with part number.

Print Date 18/6/2019

## Model No.AN451 PNEUMATIC ROOFING COIL NAILER

Item	Parts No.	Description	I/C	Qty	New/Old	Opt. 1	Opt. 2	Note
081	343977-9	LEVER PLATE		1				
082	257166-9	RING 9		1				
083	265919-2	HEX. SOCKET HEAD BOLT M5X30		1				
084	343978-7	SINGLE GUIDE		1				
085-1	165250-5	ADJUSTER PLATE		1				
086	414934-5	HOLDER CAP		1				
087	231793-0	TENSION SPRING 5		1				
088	423232-6	RUBBER PLATE 6-20		1				
089-1	415779-4	MAGAZINE		1				
090	415169-1	CHANGE PLATE		1				
091	414934-5	HOLDER CAP		1				
092	962112-6	RETAINING RING R-22		1				
093	262055-5	RUBBER RING 16		1				
094-1	344597-2	CUP WASHER 5		1				
095	233057-8	COMPRESSION SPRING 11		1				
096	322579-4	PISTON		1				
097	213261-5	O RING 17		1				
098	213007-9	O RING 8		1				
099	150386-3	DRIVER GUIDE COMPLETE		1				
100	311891-7	ADJUSTER		1				
101	165073-1	CONTACT TOP		1				
102	413060-7	SAFETY COVER		1				
103	253999-0	WASHER 5		1				
104	265919-2	HEX. SOCKET HEAD BOLT M5X30		1				
105	253999-0	WASHER 5		1				
106	951054-9	SPRING PIN 3-10		1				
107	344254-2	MAGAZINE GUARD		1				
108	911110-7	PAN HEAD SCREW M4X8		1				
109	344747-9	HOUSING GUARD F		2				
110	344748-7	HOUSING GUARD R		2				
111	266233-9	HEX. SOCKET HEAD BOLT M5X12		1				
A01	181434-7	OIL SUPPLY 30CC		1				
E02-1	192517-8	SAFETY GOGGLE		1	*			
E02-2	195246-2	SAFETY GOGGLE	<	1	*			

Please order the parts with part number.

Print Date 18/6/2019