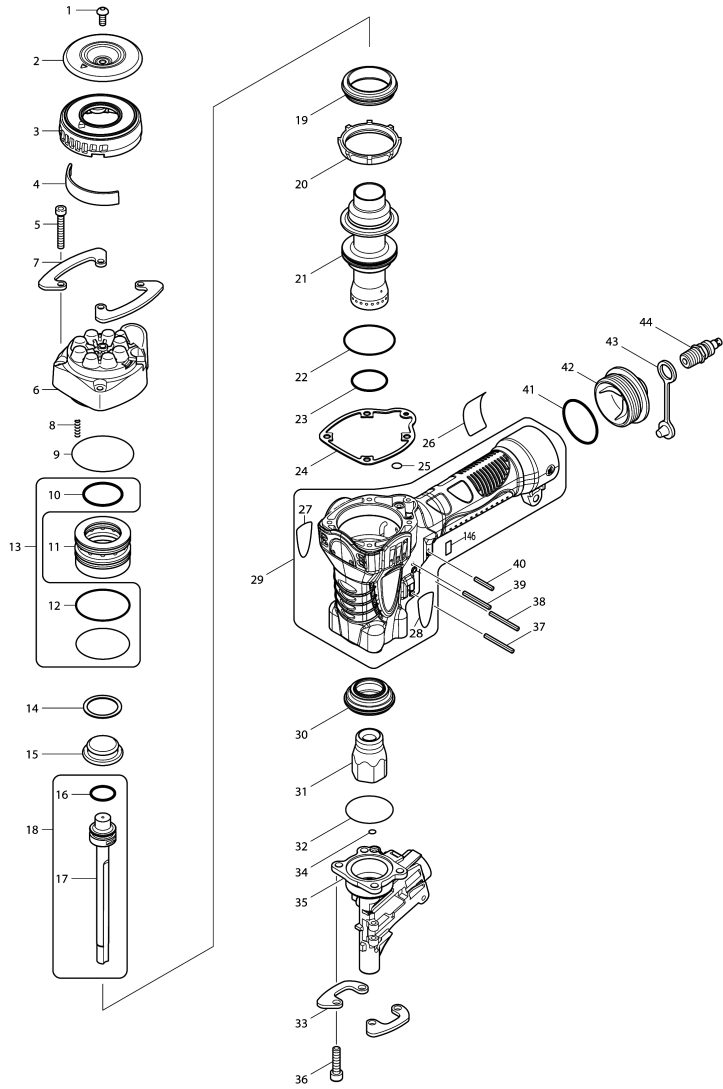
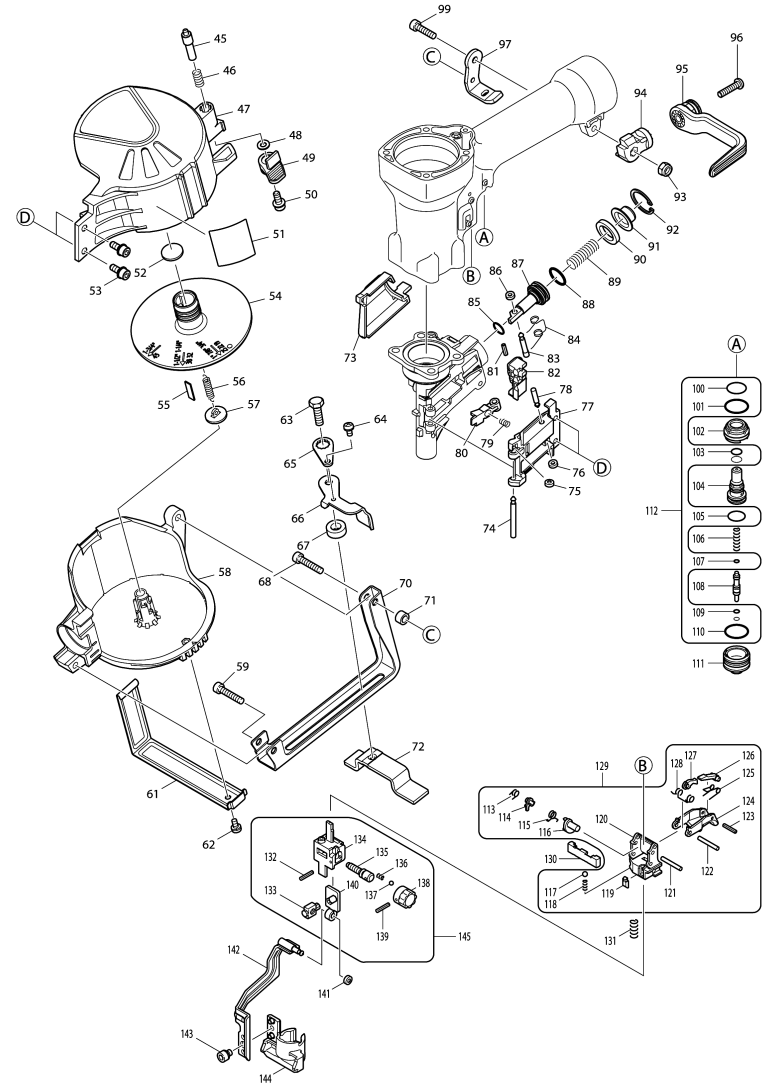


Model No.AN450H PNEUMATIC COIL NAILER



Model No.AN450H PNEUMATIC COIL NAILER



Model No.AN450H PNEUMATIC COIL NAILER

Item	Parts No.	Description	I/C	Qty	New/Old	Opt. 1	Opt. 2	Note
001	266501-0	HEX.SOCKET BUTTON HEAD BOLT M5		1				
002	346013-0	EXHAUST COVER CAP		1				
003	450834-5	EXHAUST COVER		1				
004	413128-9	FILTER		1				
005	922257-2	HEX. SOCKET HEAD BOLT M5X35		4				
006	318109-7	TOP CAP		1				
007	346011-4	REAR HOUSING GUARD		2				
008	233484-9	COMPRESSION SPRING 4		8				
009	213604-1	O RING 50		1				
010	213447-1	O-RING 30		1	*			
010-1	213423-5	O RING 30	O	1				
011	419736-4	HEAD VALVE		1				
012	213558-2	O RING 42		2				
013	194735-4	AIR LEAK REPAIR SET		1				
D10		INC. 10,12,112						
014	267342-7	FLAT WASHER 26		1				
015	424225-6	REAR CUSHION		1				
016	213282-7	O-RING 17		1				
017	158827-3	DRIVER COMPLETE		1				
018	135248-6	DRIVER ASS'Y		1				
D10		INC. 16,17						
019	421981-9	VALVE SEAT		1				
020	331739-7	CYLINDER STAY		1				
021	331847-4	CYLINDER		1				
022	213509-5	O RING 40		1				
023	213413-8	O RING 28		1				
024	162246-7	TOP CAP GASKET		1				
025	213021-5	O RING 5		1				
026	866139-7	AN450H NAME PLATE		1				
027	819321-7	MAKITA LOGO LABEL R		1				
028	819322-5	MAKITA LOGO LABEL L		1				
029	188604-9	HOUSING SET		1				
D10		INC. 27,28,146						
030	324968-9	CYLINDER GUIDE		1				
031	424159-3	FRONT CUSHION		1				
032	213528-1	O-RING 38		1				
033	346010-6	FRONT HOUSING GUARD		2				
034	213970-6	O-RING 4		1				
035	158828-1	DRIVER GUIDE COMPLETE		1				
036	266087-4	HEX.BOLT M6X25		4				
037	951078-5	SPRING PIN 3-32		1				

Please order the parts with part number.

Print Date 19/9/2020

Model No.AN450H PNEUMATIC COIL NAILER

Item	Parts No.	Description	I/C	Qty	New/Old	Opt. 1	Opt. 2	Note
038	951078-5	SPRING PIN 3-32		1				
039	258029-2	SPRING PIN 3-30		1				
040	951069-6	SPRING PIN 3-20		1				
041	213521-5	O RING 36		1	*			
041-1	213506-1	O RING 36	O	1				
042	318108-9	INLET CAP		1				
043	286280-4	CAP 9		1				
044	243105-5	ONE-TOUCH JOINT H22PM		1				
045	322532-0	LOCK PIN		1				
046	231307-5	COMPRESSION SPRING 6		1				
047	158924-5	MAGAZINE CAP COMPLETE		1				
C10	810418-5	CAUTION LABEL		1				
048	267010-2	FLAT WASHER 5		1				
049	414933-7	LOCK LEVER		1				
050	266233-9	HEX. SOCKET HEAD BOLT M5X12		1				
051	807990-6	AN450H MAGAZINE LABEL		1				
052	414934-5	HOLDER CAP		1				
053	266233-9	HEX. SOCKET HEAD BOLT M5X12		2				
054	415169-1	CHANGE PLATE		1				
055	423232-6	RUBBER PLATE 6-20		1				
056	231793-0	TENSION SPRING 5		1				
057	414934-5	HOLDER CAP		1				
058	415779-4	MAGAZINE		1				
059	266099-7	HEX. SOCKET HEAD BOLT M5X25		1				
061	344254-2	MAGAZINE GUARD		1				
062	911110-7	PAN HEAD SCREW M4X8		1				
063	921332-1	HEX. BOLT M6X20		1				
064	911110-7	PAN HEAD SCREW M4X8		1				
065	341718-7	LOCK PLATE		1				
066	343977-9	LEVER PLATE		1				
067	257166-9	RING 9		1				
068	266099-7	HEX. SOCKET HEAD BOLT M5X25		1				
070	343978-7	SINGLE GUIDE		1				
071	257140-7	RING 6		1				
072	165250-5	ADJUSTER PLATE		1				
073	450832-9	COVER		1				
074	256779-3	PIN 4		1				
075	262120-0	URETHANE RING 3		1				
076	262120-0	URETHANE RING 3		1				
077	311914-1	DOOR		1				

Please order the parts with part number.

Print Date 19/9/2020

Model No.AN450H PNEUMATIC COIL NAILER

Item	Parts No.	Description	I/C	Qty	New/Old	Opt. 1	Opt. 2	Note
078	256778-5	PIN 4		1				
079	233095-0	COMPRESSION SPRING 4		1				
080	311913-3	CHECK CLAW		1				
081	951054-9	SPRING PIN 3-10		1				
082	310098-2	FEEDING CLAW		1				
083	256432-1	PIN 4-4.5		1				
084	231603-1	TORSION SPRING 6		1				
085	213054-0	O RING 9		1				
086	262120-0	URETHANE RING 3		1				
087	324965-5	PISTON		1				
088	213154-6	O RING 14		1				
089	233346-1	COMPRESSION SPRING 7		1				
090	262075-9	RUBBER RING 16		1				
091	344452-8	CUP WASHER 5		1				
092	962103-7	RETAINING RING R-24		1				
093	931202-6	HEX. NUT M5		1				
094	162255-6	HOOK BASE		1				
095	419843-3	HOOK		1				
096	265176-2	PAN.HD.SCREW M5X22		1				
097	346012-2	MAGAZINE LOCK		1				
099	266369-4	HEX SOCKET HEAD BOLT M5X20		1				
100	213233-0	O-RING 15		1				
101	213275-4	O RING 18		1				
102	419732-2	TRIGGER VALVE GUIDE		1				
103	213968-3	O-RING 7		2				
104	419733-0	PILOT VALVE		1	*			
104-1	456262-2	PILOT VALVE	<	1				
105	213185-5	O-RING 12.5		1				
106	233485-7	COMPRESSION SPRING 4		1				
107	213034-6	O RING 3		1	*			
107-1	213044-3	O RING 3	S	1				
108	324743-3	TRIGGER VALVE STEM		1	*			
108-1	326189-9	TRIGGER VALVE STEM	S	1				
109	213979-8	O-RING 3		2	*			
109-1	213640-7	O-RING 3	S	2				
110	213275-4	O RING 18		1				
111	331741-0	TRIGGER VALVE CASE		1				
112	194735-4	AIR LEAK REPAIR SET		1				
D10		INC. 13,100,101,103,105,107,						
D20		109,110						
113	233501-5	TORSION SPRING 5		1				
114	310199-6	STOPPER PLATE		1				

Please order the parts with part number.

Print Date 19/9/2020

Model No.AN450H PNEUMATIC COIL NAILER

Item	Parts No.	Description	I/C	Qty	New/Old	Opt. 1	Opt. 2	Note
115	233502-3	TORSION SPRING 6		1	*			
115-1	233576-4	TORSION SPRING 6	<	1				
116	310310-0	LEVER		1				
117	216024-8	STEEL BALL 4		1	*			
117-1	326144-1	LOCK PIN	<	1				
118	233490-4	COMPRESSION SPRING 2		1				
119	419743-7	SPRING COVER		1				
120	419844-1	TRIGGER BASE		1				
121	268168-0	PIN 3		1				
122	268168-0	PIN 3		1				
123	951007-8	SPRING PIN 2-12		1				
124	310294-2	TRIGGER		1				
125	231699-2	TORSION SPRING 4		1				
126	310196-2	TRIP LEVER		1				
127	310198-8	LEVER		1				
128	233503-1	TORSION SPRING 4		1				
129	135231-3	TRIGGER ASS'Y		1	*			
D10		INC. 113-128			*			
129-1	135494-1	TRIGGER ASS'Y	O	1				
D10		INC. 113-128						
130	310293-4	CHANGE ROD		1				
131	233489-9	COMPRESSION SPRING 6		1				
132	951010-9	SPRING PIN 2-14		1				
133	310201-5	ADJUSTER PIECE		1				
134	310234-0	UPPER YOKE		1				
135	324745-9	ADJUSTER SHAFT		1				
136	233491-2	COMPRESSION SPRING 2		1				
137	216031-1	STEEL BALL 2.3		1				
138	158747-1	ADJUSTER COMPLETE		1				
139	951010-9	SPRING PIN 2-14		1				
140	345775-7	SLIDE PLATE		1				
141	262120-0	URETHANE RING 3		1				
142	165546-4	CONTACT ARM		1				
143	265480-9	HEX. SOCKET HEAD BOLT M5X8		1				
144	165545-6	CONTACT TOP		1				
145	135232-1	ADJUSTER ASS'Y		1				
D10		INC. 132-140						
146	816919-1	INDICATION LABEL		1				
A01	192517-8	SAFETY GOGGLE		1	*			
A01-1	195246-2	SAFETY GOGGLE	<	1	*			
A02	194381-3	OIL SUPPLY SET		1				
A03	783202-0	HEX. WRENCH 4		1				

Please order the parts with part number.

Print Date 19/9/2020

Model No.AN450H PNEUMATIC COIL NAILER

Item	Parts No.	Description	I/C	Qty	New/Old	Opt. 1	Opt. 2	Note
A04	824792-5	PLASTIC CARRYING CASE		1				
C10	188610-4	SLIDE LATCH RL SET		1				

Please order the parts with part number.

Print Date 19/9/2020