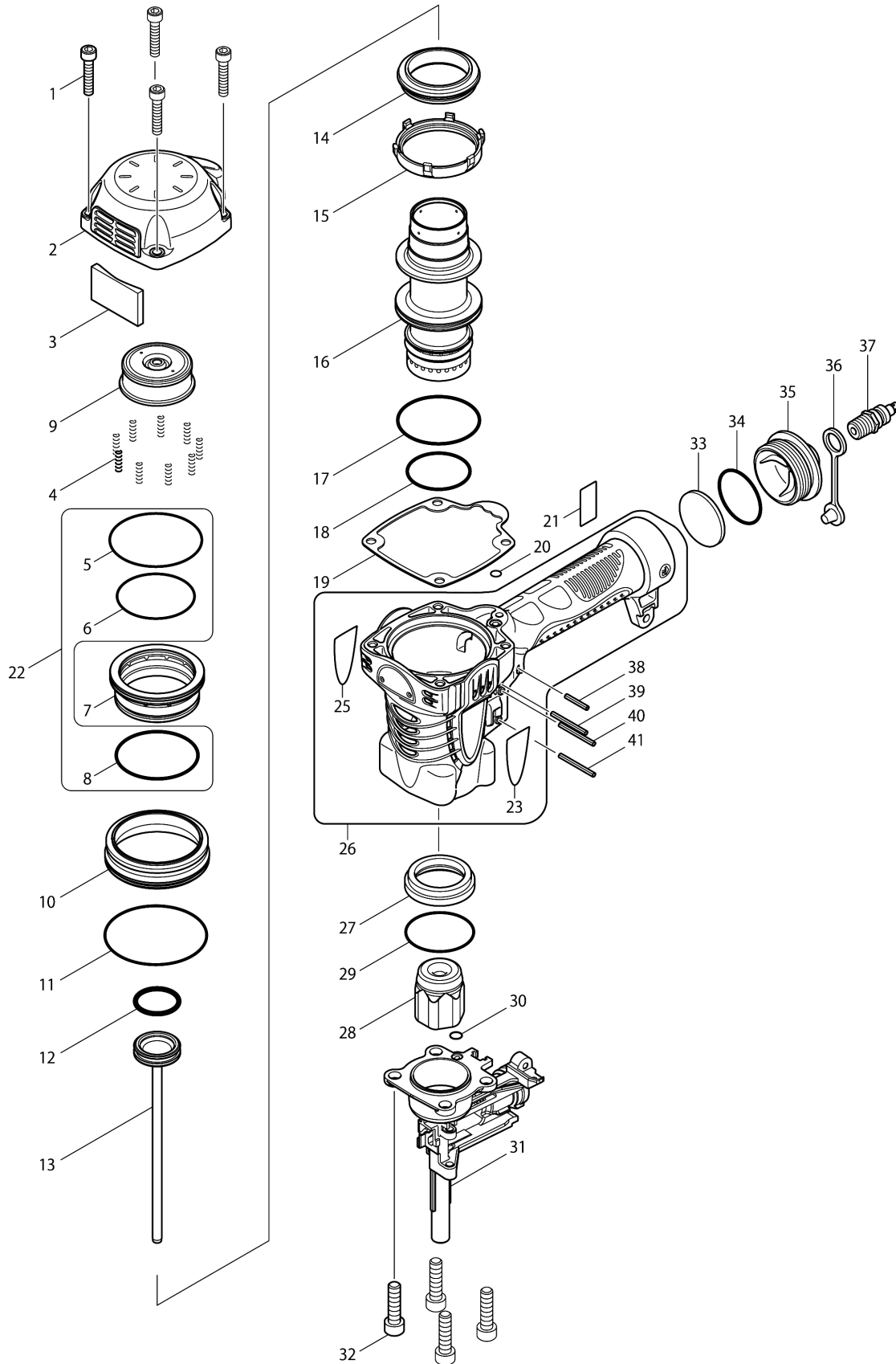
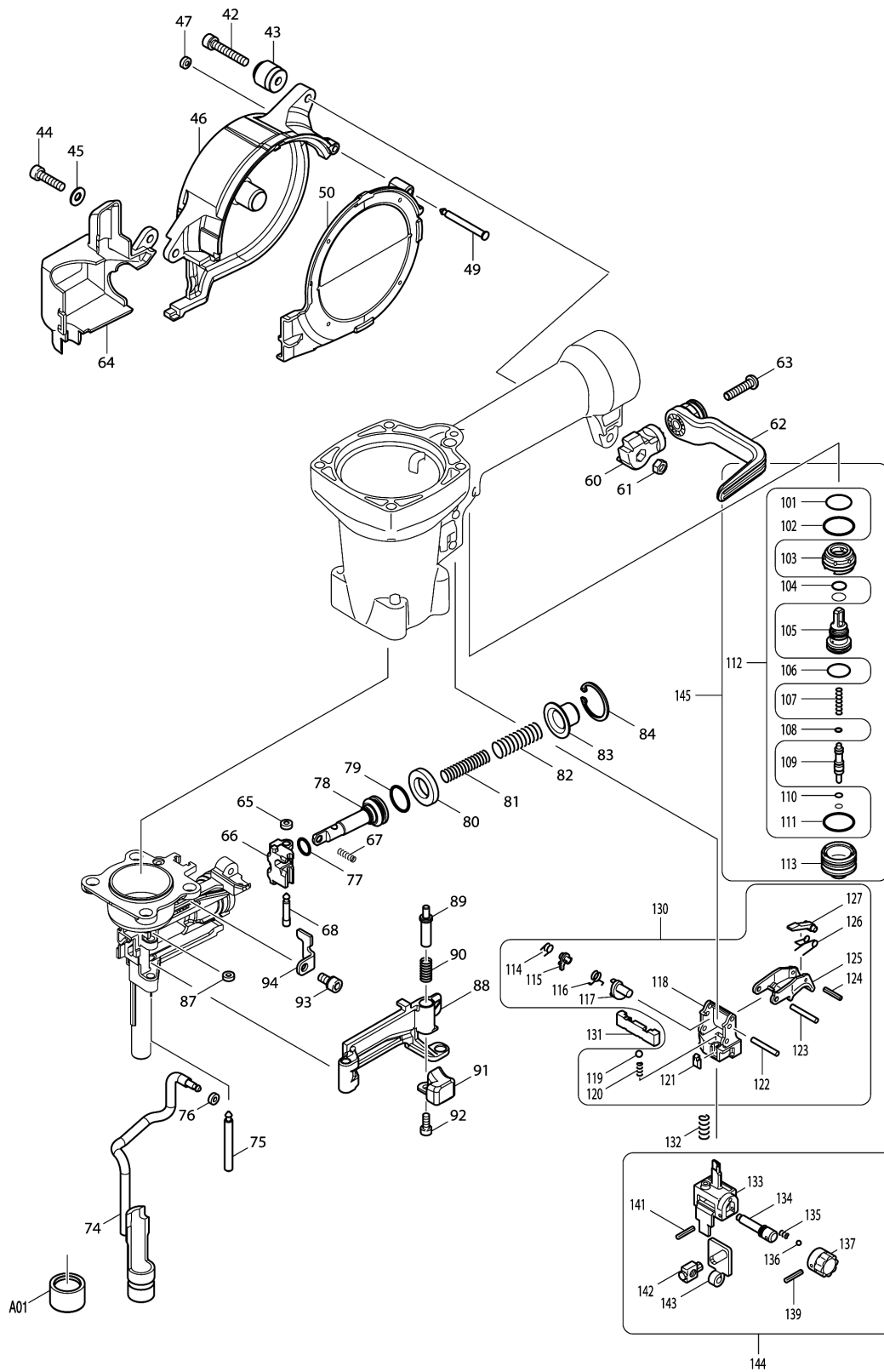


Model No.AN250HC PNEUMATIC CONCRETE NAILER



Model No.AN250HC PNEUMATIC CONCRETE NAILER



Model No.AN250HC PNEUMATIC CONCRETE NAILER

| Item | Parts No. | Description | I/C | Qty | New/Old | Opt. 1 | Opt. 2 | Note |
|-------|-----------|-------------------------------|-----|-----|---------|--------|--------|------|
| 001 | 265566-9 | HEX SOCKET HEAD BOLT M6X30 | | 4 | | | | |
| 002 | 158219-6 | TOPCAP COMPLETE | | 1 | | | | |
| 003 | 413112-4 | FILTER | | 1 | | | | |
| 004 | 233484-9 | COMPRESSION SPRING 4 | | 9 | | | | |
| 005 | 213668-5 | O RING 60 | | 1 | | | | |
| 006 | 213612-2 | O RING 50 | | 1 | | | | |
| 007 | 419842-5 | HEAD VALVE | | 1 | | | | |
| 008 | 213657-0 | O RING 53 | | 1 | | | | |
| 009 | 424012-3 | REAR CUSHION | | 1 | | | | |
| 010 | 331764-8 | HEAD VALVE GUIDE | | 1 | | | | |
| 011 | 213720-9 | O RING 67 | | 1 | | | | |
| 012 | 213982-9 | O-RING 26 | | 1 | | | | |
| 013 | 168538-2 | DRIVER | | 1 | | | | |
| 014 | 424013-1 | VALVE SEAT | | 1 | | | | |
| 015 | 331759-1 | CYLINDER STAY | | 1 | | | | |
| 016 | 331763-0 | CYLINDER | | 1 | | | | |
| 017 | 213657-0 | O RING 53 | | 1 | | | | |
| 018 | 213531-2 | O-RING 39 | | 1 | | | | |
| 019 | 162254-8 | TOP CAP GASKET | | 1 | | | | |
| 020 | 213045-1 | O-RING 6 | | 1 | | | | |
| 021 | 867290-6 | AN250HC NAME PLATE | | 1 | | | | |
| 022 | 194737-0 | AIR LEAK REPAIR SET | | 1 | * | | | |
| D10 | | INC. 5,6,8,112 | | | * | | | |
| 022-1 | 199953-9 | AIR LEAK REPAIR SET | < | 1 | | | | |
| D10 | | INC. 5,6,8,112 | | | | | | |
| 023 | 819324-1 | MAKITA ROGO LABEL L | | 1 | | | | |
| 025 | 819323-3 | MAKITA LOGO LABEL R | | 1 | | | | |
| 026 | 188777-8 | HOUSING SET | | 1 | | | | |
| C10 | 816921-4 | INDICATION LABEL | | 1 | | | | |
| D10 | | INC. 23,25 | | | | | | |
| 027 | 331758-3 | CYLINDER GUIDE | | 1 | | | | |
| 028 | 424011-5 | FRONT CUSHION | | 1 | | | | |
| 029 | 213554-0 | O RING 44 | | 1 | | | | |
| 030 | 213021-5 | O RING 5 | | 1 | | | | |
| 031 | 310318-4 | DRIVER GUIDE | | 1 | | | | |
| 032 | 265565-1 | HEX SOCKET HEAD BOLT M8X30 | | 4 | | | | |
| 033 | 413105-1 | INLET FILTER | | 1 | | | | |
| 034 | 213521-5 | O RING 36 | | 1 | * | | | |
| 034-1 | 213506-1 | O RING 36 | O | 1 | | | | |
| 035 | 318108-9 | INLET CAP | | 1 | | | | |
| 036 | 286280-4 | CAP 9 | | 1 | | | | |

Please order the parts with part number.

Print Date 18/6/2019

Model No.AN250HC PNEUMATIC CONCRETE NAILER

| Item | Parts No. | Description | I/C | Qty | New/Old | Opt. 1 | Opt. 2 | Note |
|-------|-----------|--------------------------------|-----|-----|---------|--------|--------|------|
| 037 | 243105-5 | ONE-TOUCH JOINT H22PM | | 1 | | | | |
| 038 | 951069-6 | SPRING PIN 3-20 | | 1 | | | | |
| 039 | 951078-5 | SPRING PIN 3-32 | | 1 | | | | |
| 040 | 951078-5 | SPRING PIN 3-32 | | 1 | | | | |
| 041 | 951078-5 | SPRING PIN 3-32 | | 1 | | | | |
| 042 | 265919-2 | HEX. SOCKET HEAD BOLT M5X30 | | 1 | | | | |
| 043 | 325725-8 | SLEEVE 5 | | 1 | | | | |
| 044 | 266369-4 | HEX SOCKET HEAD BOLT M5X20 | | 1 | | | | |
| 045 | 267343-5 | FLAT WASHER 5 | | 1 | | | | |
| 046 | 451377-0 | MAGAZINE | | 1 | | | | |
| 047 | 262120-0 | URETHANE RING 3 | | 1 | | | | |
| 049 | 256678-9 | PIN 4 | | 1 | | | | |
| 050 | 140304-9 | MAGAZINE CAP COMPLETE | | 1 | | | | |
| 060 | 162255-6 | HOOK BASE | | 1 | | | | |
| 061 | 931202-6 | HEX. NUT M5 | | 1 | | | | |
| 062 | 168499-6 | HOOK | | 1 | | | | |
| 063 | 265176-2 | PAN.HD.SCREW M5X22 | | 1 | | | | |
| 064 | 451379-6 | CONTACT ARM COVER | | 1 | | | | |
| 065 | 262120-0 | URETHANE RING 3 | | 1 | | | | |
| 066 | 310320-7 | FEEDING CLAW | | 1 | | | | |
| 067 | 234150-1 | COMPRESSION SPRING 3 | | 1 | | | | |
| 068 | 256432-1 | PIN 4-4.5 | | 1 | | | | |
| 074 | 165584-6 | CONTACT ARM | | 1 | | | | |
| 075 | 256782-4 | PIN 5 | | 1 | | | | |
| 076 | 262120-0 | URETHANE RING 3 | | 1 | | | | |
| 077 | 213054-0 | O RING 9 | | 1 | | | | |
| 078 | 325718-5 | PISTON | | 1 | | | | |
| 079 | 213154-6 | O RING 14 | | 1 | | | | |
| 080 | 262123-4 | RUBBER RING 14 | | 1 | | | | |
| 081 | 234045-8 | COMPRESSION SPRING 9 | | 1 | | | | |
| 082 | 234046-6 | COMPRESSION SPRING 10 | | 1 | | | | |
| 083 | 345781-2 | CUP WASHER | | 1 | * | | | |
| 083-1 | 326913-0 | CUP WASHER | < | 1 | | | | |
| 084 | 962103-7 | RETAINING RING R-24 | | 1 | | | | |
| 087 | 262120-0 | URETHANE RING 3 | | 1 | | | | |
| 088 | 310319-2 | DOOR | | 1 | | | | |
| 089 | 325721-6 | LOCK PIN | | 1 | | | | |
| 090 | 233201-7 | COMPRESSION SPRING 6 | | 1 | | | | |
| 091 | 310050-0 | LOCK LEVER | | 1 | | | | |
| 092 | 266167-6 | HEX. SOCKET HEAD BOLT M4X10 | | 1 | | | | |

Please order the parts with part number.

Print Date 18/6/2019

Model No.AN250HC PNEUMATIC CONCRETE NAILER

| Item | Parts No. | Description | I/C | Qty | New/Old | Opt. 1 | Opt. 2 | Note |
|-------|-----------|--------------------------------|-----|-----|---------|--------|--------|------|
| 093 | 922211-6 | HEX. SOCKET HEAD BOLT M5X12 | | 1 | | | | |
| 094 | 346127-5 | HOLDER | | 1 | | | | |
| 101 | 213233-0 | O-RING 15 | | 1 | | | | |
| 102 | 213275-4 | O RING 18 | | 1 | | | | |
| 103 | 419841-7 | TRIGGER VALVE GUIDE | | 1 | | | | |
| 104 | 213968-3 | O-RING 7 | | 2 | | | | |
| 105 | 419958-6 | PILOT VALVE | | 1 | * | | | |
| 105-1 | 456261-4 | PILOT VALVE | < | 1 | | | | |
| 106 | 213185-5 | O-RING 12.5 | | 1 | | | | |
| 107 | 234014-9 | COMPRESSION SPRING 3 | | 1 | * | | | |
| 107-1 | 234187-8 | COMPRESSION SPRING 3 | < | 1 | | | | |
| 108 | 213034-6 | O RING 3 | | 1 | * | | | |
| 108-1 | 213044-3 | O RING 3 | S | 1 | | | | |
| 109 | 324743-3 | TRIGGER VALVE STEM | | 1 | * | | | |
| 109-1 | 326189-9 | TRIGGER VALVE STEM | S | 1 | | | | |
| 110 | 213979-8 | O-RING 3 | | 2 | * | | | |
| 110-1 | 213640-7 | O-RING 3 | S | 2 | | | | |
| 111 | 213275-4 | O RING 18 | | 1 | * | | | |
| 111-1 | 213310-8 | O RING 20 | < | 1 | | | | |
| 112 | 194737-0 | AIR LEAK REPAIR SET | | 1 | * | | | |
| D10 | | INC. 22,101,102,104,106,108, | | | * | | | |
| D20 | | INC. 110,111 | | | * | | | |
| 112-1 | 199953-9 | AIR LEAK REPAIR SET | < | 1 | | | | |
| D10 | | INC. 22,101,102,104,106,108, | | | | | | |
| D20 | | INC. 110,111 | | | | | | |
| 113 | 331741-0 | TRIGGER VALVE CASE | | 1 | | | | |
| 114 | 233501-5 | TORSION SPRING 5 | | 1 | | | | |
| 115 | 310199-6 | STOPPER PLATE | | 1 | | | | |
| 116 | 233502-3 | TORSION SPRING 6 | | 1 | | | | |
| 117 | 310310-0 | LEVER | | 1 | | | | |
| 118 | 419844-1 | TRIGGER BASE | | 1 | | | | |
| 119 | 216024-8 | STEEL BALL 4 | | 1 | * | | | |
| 119-1 | 326144-1 | LOCK PIN | < | 1 | | | | |
| 120 | 233490-4 | COMPRESSION SPRING 2 | | 1 | | | | |
| 121 | 419743-7 | SPRING COVER | | 1 | | | | |
| 122 | 268168-0 | PIN 3 | | 1 | | | | |
| 123 | 268168-0 | PIN 3 | | 1 | | | | |
| 124 | 951007-8 | SPRING PIN 2-12 | | 1 | | | | |
| 125 | 310190-4 | TRIGGER | | 1 | | | | |
| 126 | 231699-2 | TORSION SPRING 4 | | 1 | | | | |
| 127 | 310196-2 | TRIP LEVER | | 1 | | | | |
| 130 | 135188-8 | TRIGGER ASSEMBLY | | 1 | * | | | |

Please order the parts with part number.

Print Date 18/6/2019

Model No.AN250HC PNEUMATIC CONCRETE NAILER

| Item | Parts No. | Description | I/C | Qty | New/Old | Opt. 1 | Opt. 2 | Note |
|-------|-----------|--------------------------|-----|-----|---------|--------|--------|------|
| D10 | | INC. 114-127 | | | * | | | |
| 130-1 | 135188-8 | TRIGGER ASSEMBLY | O | 1 | | | | |
| D10 | | INC. 114-127 | | | | | | |
| 131 | 310187-3 | CHANGE ROD | | 1 | | | | |
| 132 | 233489-9 | COMPRESSION SPRING 6 | | 1 | | | | |
| 133 | 310227-7 | UPPER YOKE | | 1 | | | | |
| 134 | 324767-9 | ADJUSTER SHAFT | | 1 | | | | |
| 135 | 233491-2 | COMPRESSION SPRING 2 | | 1 | | | | |
| 136 | 216031-1 | STEEL BALL 2.3 | | 1 | | | | |
| 137 | 158747-1 | ADJUSTER COMPLETE | | 1 | | | | |
| 139 | 951010-9 | SPRING PIN 2-14 | | 1 | | | | |
| 141 | 951010-9 | SPRING PIN 2-14 | | 1 | | | | |
| 142 | 310201-5 | ADJUSTER PIECE | | 1 | | | | |
| 143 | 345801-2 | SLIDE PLATE | | 1 | | | | |
| 144 | 135228-2 | ADJUSTER ASSY | | 1 | | | | |
| D10 | | INC. 133-137,139,141-143 | | | | | | |
| 145 | 135597-1 | TRIGGER VALVE ASS'Y | | 1 | * | | | |
| D10 | | INC. 101-111,113 | | | * | | | |
| 145-1 | 135682-0 | TRIGGER VALVE ASS'Y | < | 1 | * | | | |
| D10 | | INC. 101-111,113 | | | * | | | |
| 145-2 | 136098-2 | TRIGGER VALVE ASS' | < | 1 | | | | |
| D10 | | INC. 101-111,113 | | | | | | |
| A01 | 424234-5 | NOSE ADAPTER A | | 2 | | | | |
| A02 | 424237-9 | NOSE ADAPTER B | | 2 | | | | |
| A03 | 824792-5 | PLASTIC CARRYING CASE | | 1 | | | | |
| C10 | 188610-4 | SLIDE LATCH RL SET | | 1 | | | | |
| A04 | 192517-8 | SAFETY GOGGLE | | 1 | * | | | |
| A04-1 | 195246-2 | SAFETY GOGGLE | < | 1 | * | | | |
| A05 | 194381-3 | OIL SUPPLY SET | | 1 | | | | |

Please order the parts with part number.

Print Date 18/6/2019