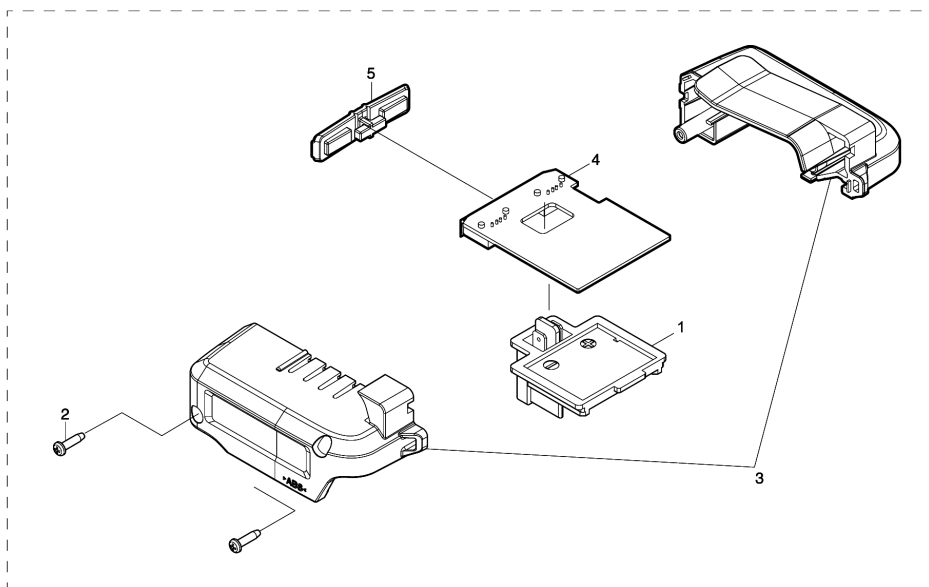
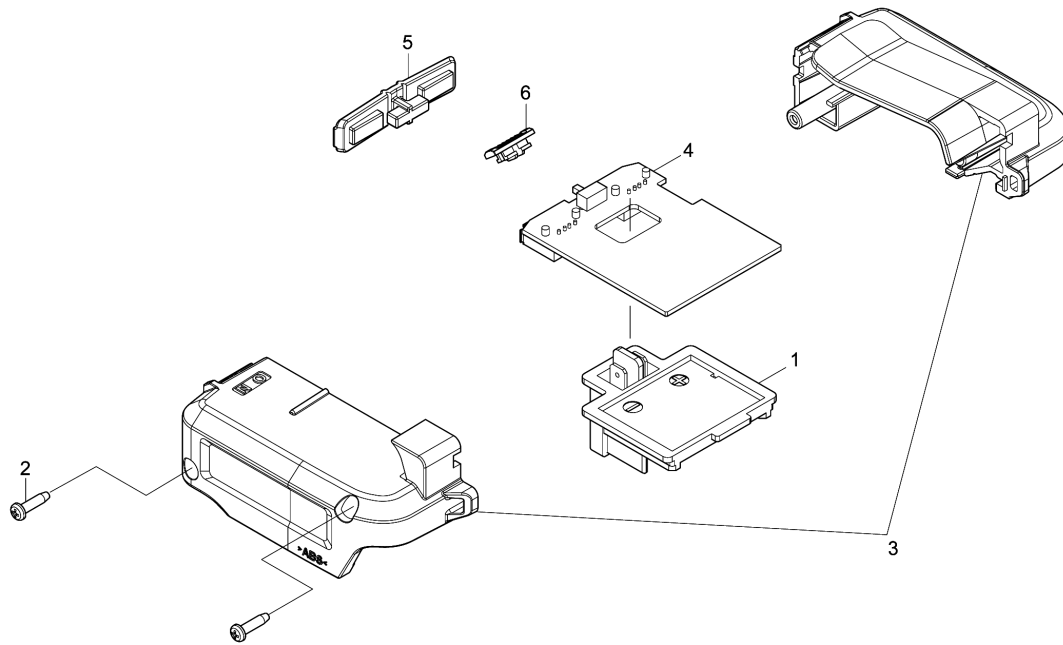


Model No.ADP05 ADAPTER FOR USB



Model No.ADP05 ADAPTER FOR USB

Item	Parts No.	Description	I/C	Qty	New/Old	Opt. 1	Opt. 2	Note
001	SE00000261	TERMINAL 2100PC01300		1				
002	SE00000451	SCREW PTB 3X12 ZK 29S16312001		2				
003A	SE00000452	CASE L/R SET 011ABA1		1	*			
003B	SE00000493	CASE L/R SET		1				
003-1A	SE00000493	CASE L/R SET	S	1				
004A	SE00000454	PCB A ASSY 07AAB01		1	*			
004B	SE00000492	PCB A ASS'Y		1				
004-1A	SE00000492	PCB A ASS'Y	S	1				
005	SE00000453	USB COVER 3120AB0000010		1				
006A	SE00000495	SLIDE KNOB	S	1				
006B	SE00000495	SLIDE KNOB		1				

Please order the parts with part number.

Print Date 5/3/2019

