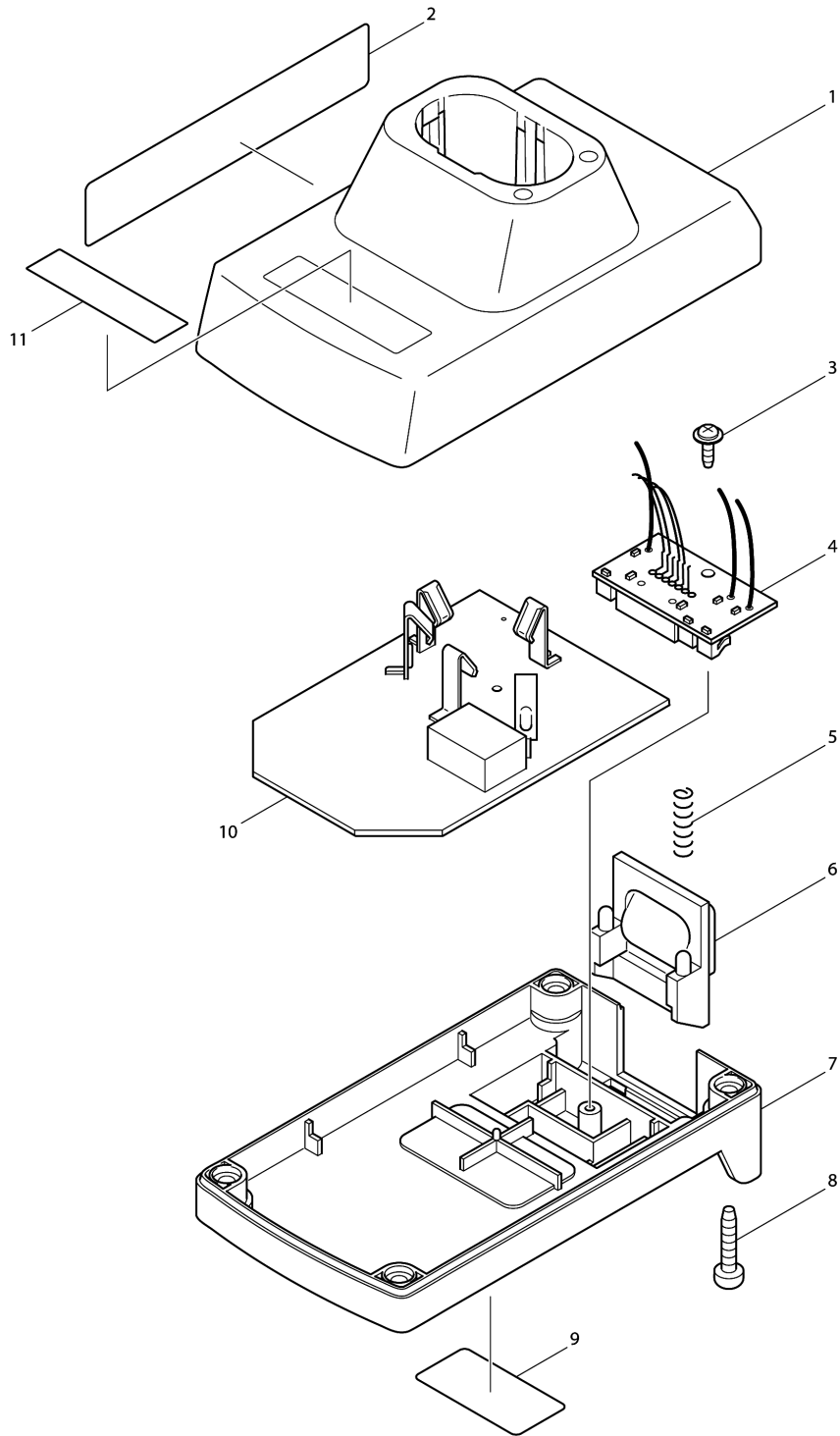


# Model No.ADP04 INTERCHARGEABLE ADAPTER





## Model No.ADP04 INTERCHARGEABLE ADAPTER

Item	Parts No.	Description	I/C	Qty	New/Old	Opt. 1	Opt. 2	Note
001	188037-8	ADAPTER CASE SET		1				
D10		INC. 11						
003	266278-7	TAPPING SCREW FLANGE BT3X10		1				
004	631615-8	TERMINAL BOARD		1				
005	233194-8	COMPRESSION SPRING 4		2				
006	418609-8	HOOK		1				
007	418607-2	ADAPTER CASE COVER		1				
008	265874-8	TAPPING SCREW BT 4X20		4				
010	631616-6	ADAPTER CIRCUIT		1				
011	819063-3	MAKITA LABEL		1				
A01	802375-1	CAUTION LABEL		1				

Please order the parts with part number.

Print Date 3/6/2019

