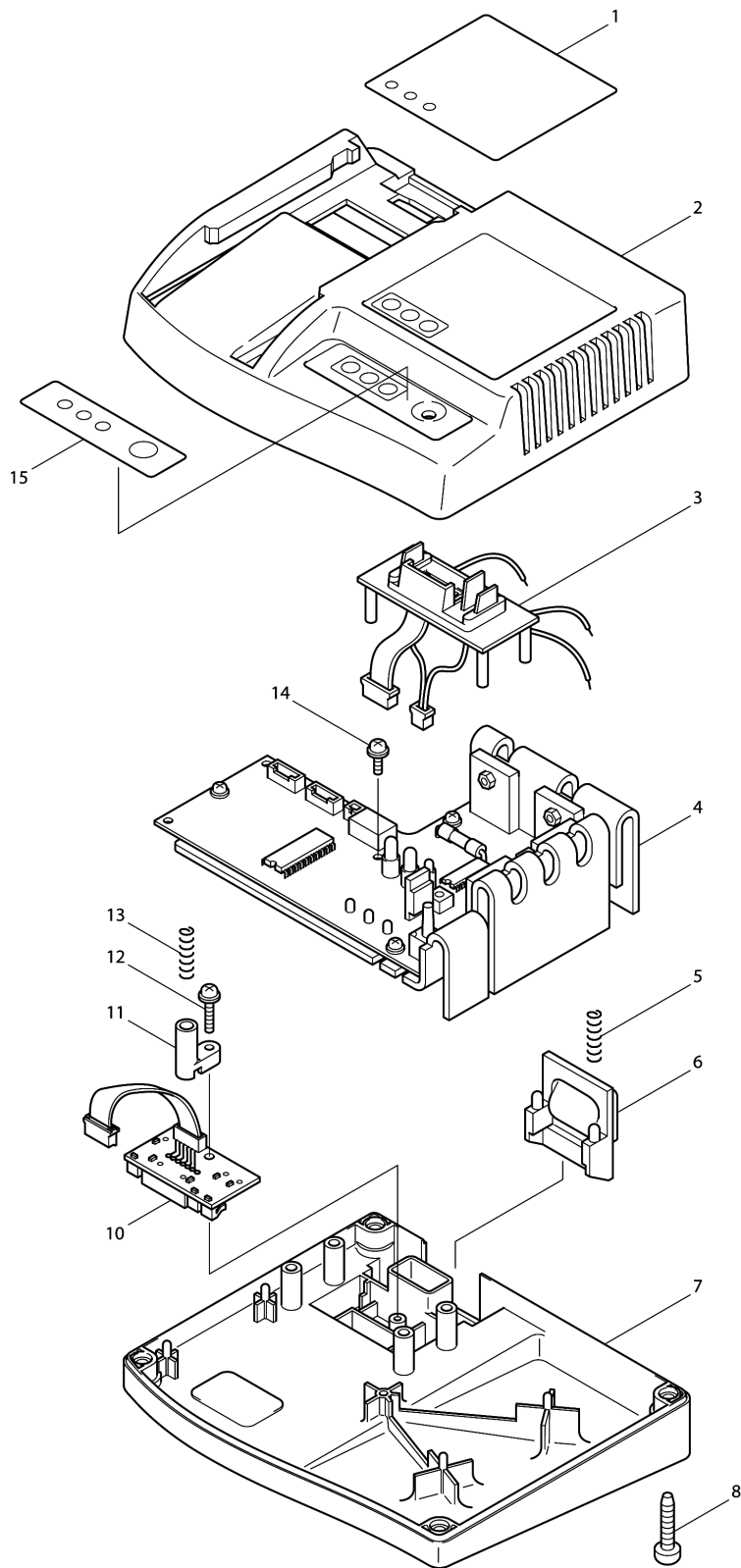


Model No.ADP03 AUTOMATIC REFRESHING ADAPTER



Model No.ADP03 AUTOMATIC REFRESHING ADAPTER

Item	Parts No.	Description	I/C	Qty	New/Old	Opt. 1	Opt. 2	Note
001	853978-4	NAME PLATE ADP03		1				
002	183514-5	ADAPTER CASE		1				
D10		INC. 1,7,15						
003	638023-4	TERMINAL UNIT		1				
004	631510-2	ADAPTER CIRCUIT		1				
005	233194-8	COMPRESSION SPRING 4		2				
006	417368-1	HOOK		1				
007	183514-5	ADAPTER CASE		1				
D10		INC. 1,2,15						
008	265874-8	TAPPING SCREW BT 4X20		4				
010	631418-0	TERMINAL BOARD		1				
011	417412-4	SPRING HOLDER		1				
012	266279-5	TAPPING SCREW FLANGE BT3X16		1				
013	233194-8	COMPRESSION SPRING 4		1				
014	266278-7	TAPPING SCREW FLANGE BT3X10		1				
015	816391-7	INDICATION LABEL		1				

Please order the parts with part number.

Print Date 3/6/2019

