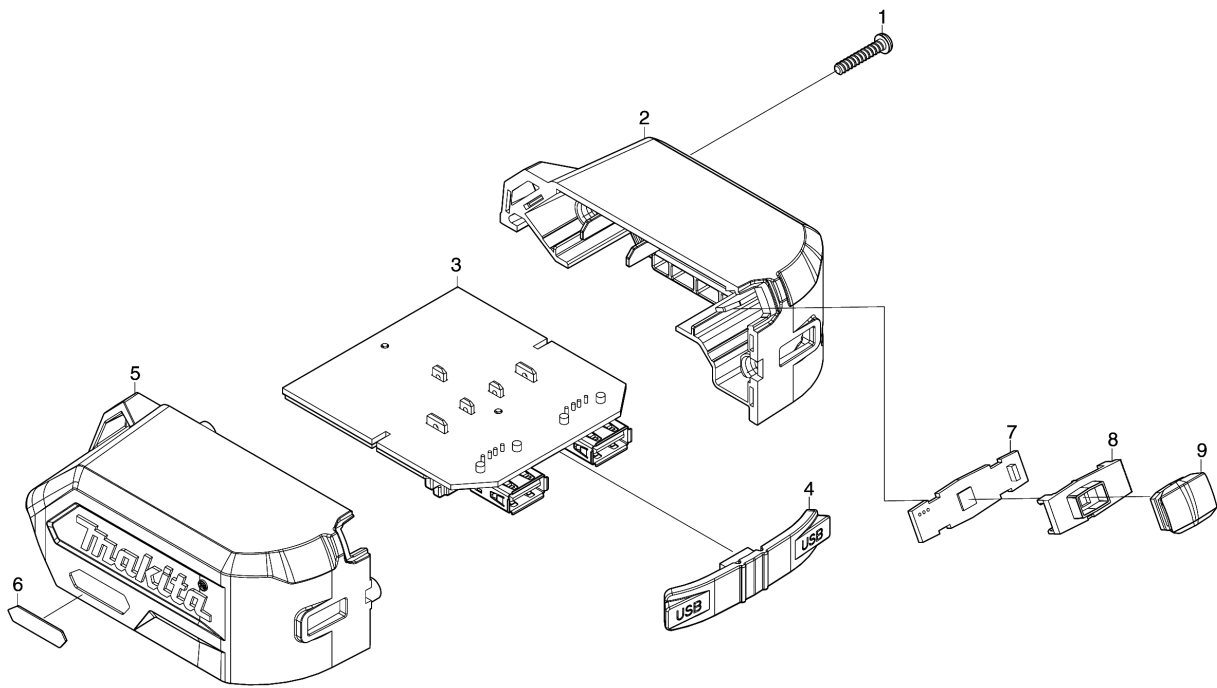


Model No.ADP001G ADAPTER FOR USB



Model No.ADP001G ADAPTER FOR USB

| Item | Parts No.  | Description        | I/C | Qty | New/Old | Opt. 1 | Opt. 2 | Note |
|------|------------|--------------------|-----|-----|---------|--------|--------|------|
| 001  | SE00000834 | SCREW PTP3X 16(ZK) |     | 2   |         |        |        |      |
| 002  | SE00000835 | HOUSING SET        |     | 1   |         |        |        |      |
| D10  |            | INC. 5             |     |     |         |        |        |      |
| 003  | SE00000836 | PCB A ASS'Y        |     | 1   |         |        |        |      |
| 004  | SE00000837 | USB COVER          |     | 1   |         |        |        |      |
| 005  | SE00000835 | HOUSING SET        |     | 1   |         |        |        |      |
| D10  |            | INC. 2             |     |     |         |        |        |      |
| 006  | SE00000838 | XGT PLATE          |     | 1   |         |        |        |      |
| 007  | SE00000839 | PCB C ASS'Y        |     | 1   |         |        |        |      |
| 008  | SE00000840 | LED LENS           |     | 1   |         |        |        |      |
| 009  | SE00000841 | POWER BUTTON       |     | 1   |         |        |        |      |

Please order the parts with part number.

Print Date 19/4/2021