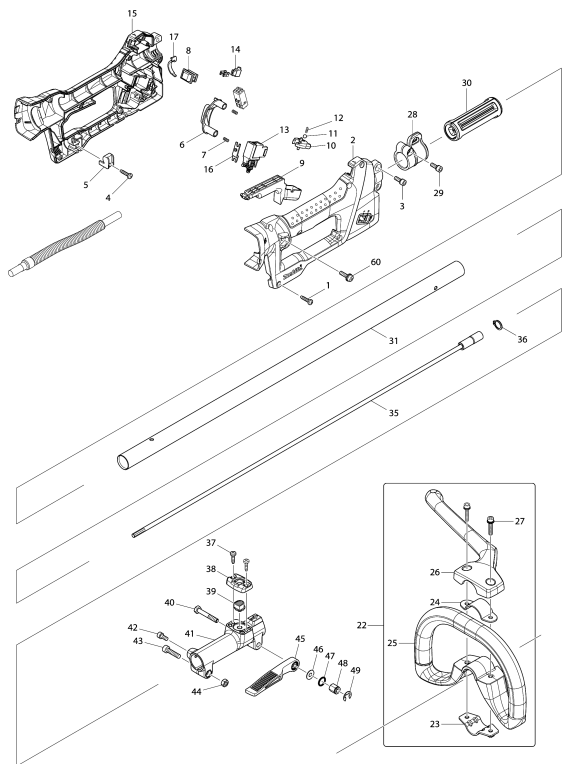
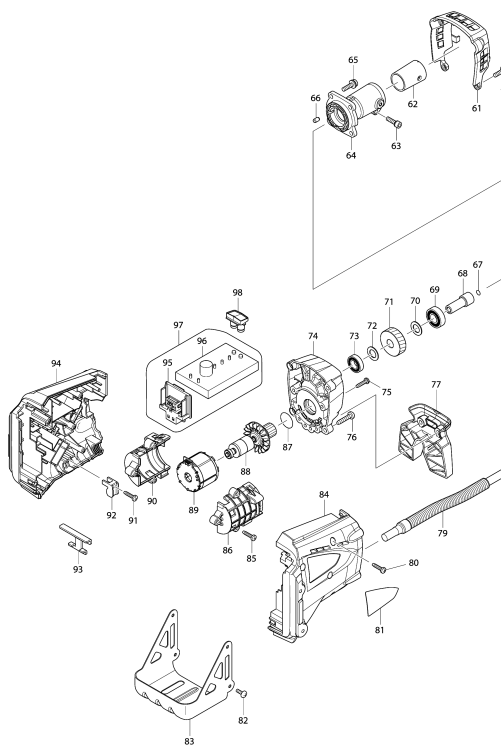


Model No.AC3610 CRDLSS MULTI FNCTN POWER HEAD



Model No.AC3610 CRDLSS MULTI FNCTN POWER HEAD



<https://msi.makita.co.jp/MSiWW/MSiWW/swf/print.html>

1/8

<https://msi.makita.co.jp/MSiWW/MSiWW/swf/print.html>

3/8

Model No.AC3610 CRDLSS MULTI FNCTN POWER HEAD

Item	Parts No.	Description	L/C	Qty	New/Old	Opt. 1	Opt. 2	Note
001	265995-6	TAPPING SCREW 4X18		8				
002	188840-7	GRIP SET		1				
D10		INC. 15						
003	922228-9	H.S.H.BOLT M5X18 WITH WR		1				
004	265995-6	TAPPING SCREW 4X18		1				
005	687261-5	STRAIN RELIEF		1				
006	451983-1	LOCK OFF BUTTON		1				
007	233054-4	COMPRESSION SPRING 4		2				
008	651533-4	SWITCH SLE6A2-33		1				
009	451984-9	SWITCH LEVER		1				
010	451986-5	INDICATOR		1				
011	216018-3	STEEL BALL 5.0		1				
012	233211-4	COMPRESSION SPRING 2		1				
013	650630-3	SWITCH TGR3-3		1				
014	686015-7	RECEPTACLE SLEEVE		1				
015	188840-7	GRIP SET		1				
D10		INC. 2						
016	451982-3	LINK PLATE		1				
017	451985-7	LEAD COVER		1				
022	195515-1	LOOP HANDLE SET		1				
D10		INC. 23-27						
023	346467-1	CLAMP 24		1	*			
023-1	347094-7	CLAMP 24	O	1				
024	346468-9	CLAMP 33		1				
025	452841-4	LOOP HANDLE		1				
026	452842-2	CLAMP COVER A		1				
027	922244-1	H.S.H.BOLT M5X25 WITH WG		2				
028	168478-4	HANGER		1				
029	922228-9	H.S.H.BOLT M5X18 WITH WR		1				
030	451601-1	SPACER 24		1				
031	141499-1	SHAFT PIPE B COMPLETE		1				
C10	898125-0	CAUTION LABEL		1				
035	141238-9	SHAFT B COMPLETE		1				
036	961052-5	RETAINING RING S-12		1				
037	266034-5	TAPPING SCREW CT 4X16		2				
038	452840-6	RELEASE BUTTON COVER		1				
039	452839-1	RELEASE BUTTON		1				
040	265596-0	HEX BOLT M6X40		1				
041	318750-6	JOINT 24		1				
042	922211-6	HEX SOCKET HEAD BOLT M5X12		1				
043	922342-1	HEX SOCKET HEAD BOLT M6X25		1				

Please order the parts with part number.

Print Date 19/9/2020

<https://msi.makita.co.jp/MSiWW/MSiWW/swf/print.html>

5/8

Model No.AC3610 CRDLSS MULTI FNCTN POWER HEAD

Item	Parts No.	Description	L/C	Qty	New/Old	Opt. 1	Opt. 2	Note
044	931302-2	HEX. NUT M6		1				
045	272268-0	LEVER 94		1				
046	253332-6	THIN WASHER 6		1				
047	213105-9	O RING 11		1				
048	252159-1	HEX. NUT M6		1				
049	961014-3	STOP RING E-8		1				
060	911233-1	PAN HEAD SCREW M5X20		1				
061	451981-5	GEAR BOX COVER		1				
062	424307-4	PIPE RUBBER		1				
063	922231-0	HEX. SOCKET HEAD BOLT M5X20		1				
064	318560-1	PIPE BRACKET		1				
065	911233-1	PAN HEAD SCREW M5X20		4				
066	263002-9	RUBBER PIN 4		1				
067	213045-1	O-RING 6		1				
068	325811-5	SPINDLE HUB		1				
069	211148-5	BALL BEARING 6001ZZ		1				
070	253744-3	FLAT WASHER 12		1				
071	227720-3	HELICAL GEAR 33		1				
072	253744-3	FLAT WASHER 12		1				
073	211150-8	BALL BEARING 6901ZZ		1				
074	318559-6	GEAR BOX		1				
075	265995-6	TAPPING SCREW 4X18		4				
076	266041-8	TAPPING SCREW 5X25		4				
077	451572-2	STAND		1				
078	911233-1	PAN HEAD SCREW M5X20		2				
079	699047-5	POWER SUPPLY CORD UNIT		1				
080	265995-6	TAPPING SCREW 4X18		5				
081	897209-1	AC-3610 NAME PLATE		1				
082	251314-2	+ SCREW M4X12		4				
083	346194-0	BATTERY GUARD		1				
084	188837-6	HOUSING SET		1	*			
D10		INC. 94			*			
084-1	183B12-1	HOUSING SET	<	1	*			
D10		INC. 94			*			
084-2	183C18-5	HOUSING SET	S	1				
D10		INC. 94						
085	265995-6	TAPPING SCREW 4X18		3				
086	188838-4	MOTOR HOUSING SET		1				
D10		INC. 90						
087	213961-7	O RING 22		1				
088	619254-4	ROTOR		1				
089	629880-1	STATOR		1				

Please order the parts with part number.

Print Date 19/9/2020

<https://msi.makita.co.jp/MSiWW/MSiWW/swf/print.html>

6/8

Model No.AC3610 CRDLSS MULTI FNCTN POWER HEAD

Item	Parts No.	Description	I/C	Qty	New/Old	Opt. 1	Opt. 2	Note
090	188838-4	MOTOR HOUSING SET		1				
	D10	INC. 86						
091	265995-6	TAPPING SCREW 4X18		1				
092	687261-5	STRAIN RELIEF		1				
093	346039-2	SUPPORT PLATE		1				
094	188837-6	HOUSING SET		1	*			
	D10	INC. 84			*			
094-1	183B12-1	HOUSING SET	<	1	*			
	D10	INC. 84			*			
094-2	183C18-5	HOUSING SET	S	1				
	D10	INC. 84						
095	643849-1	TERMINAL		1				
096	631942-3	CONTROLLER		1	*			
096-1	620496-5	CONTROLLER	S	1				
097	631941-5	CONTROLLER COMPLETE		1	*			
	D10	INC. 95,96			*			
097-1	620497-3	CONTROLLER COMPLETE	S	1				
	D10	INC. 95,96						
098	140285-7	INDICATION PLATE COMPLETE		1				
A01	195152-1	TRIMMER HEAD 94-M10L SET D		1				
	C10	HOUSING COMPLETE		1				
	C20	NUT M10		1				
	C30	COVER		1				
	C40	COMPRESSION SPRING 13		1				
	C50	BOBBIN		1				
	C60	EYE LET		2				
A02	***BCAC	BRUSH CUTTER ATTACHMENT		1				
	D10	COMPO-PARTS						
	D20	INC. A01,A04-A13						
A03	125516-5	BAND ASSEMBLY		1				
A04	140583-9	PROTECTOR EXTENSION COMPLETE		1				
A05	168526-9	CUP		1				
A06	264025-0	HEX. NUT M10-17		1				
A07	265995-6	TAPPING SCREW 4X18		1				
A08	331861-0	RECEIVE WASHER		1				
A09	346084-7	CLAMP WASHER		1				
A10	346280-7	CUTTER		1				
A11	451566-7	PROTECTOR		1				
A12	782210-8	SOCKET WRENCH 17		1				
A13	783217-7	HEX. WRENCH 5		1				

Please order the parts with part number.

Print Date 19/9/2020

Model No.AC3610 CRDLSS MULTI FNCTN POWER HEAD

Item	Parts No.	Description	I/C	Qty	New/Old	Opt. 1	Opt. 2	Note
A14	783202-0	HEX. WRENCH 4		1				
A15	831315-2	ACCESSORY BAG		1				
A16B	195639-3	TOOL BAG SET		1				
A16C	195639-3	TOOL BAG SET		1				
A17B	***LG-3622	LG-3622 BATTERY CHARGER		1				
A17C	***LG-3622	LG-3622 BATTERY CHARGER		1				
A18B	451153-2	BATTERY COVER		2				
A18C	451153-2	BATTERY COVER		1				
A19B	195412-1	BATTERY AP-3622 SET		2	*			
A19C	195412-1	BATTERY AP-3622 SET		1	*			
A19-1B	195412-1	BATTERY AP-3622 SET	O	2				
A19-1C	195412-1	BATTERY AP-3622 SET	O	1				

Please order the parts with part number.

Print Date 19/9/2020