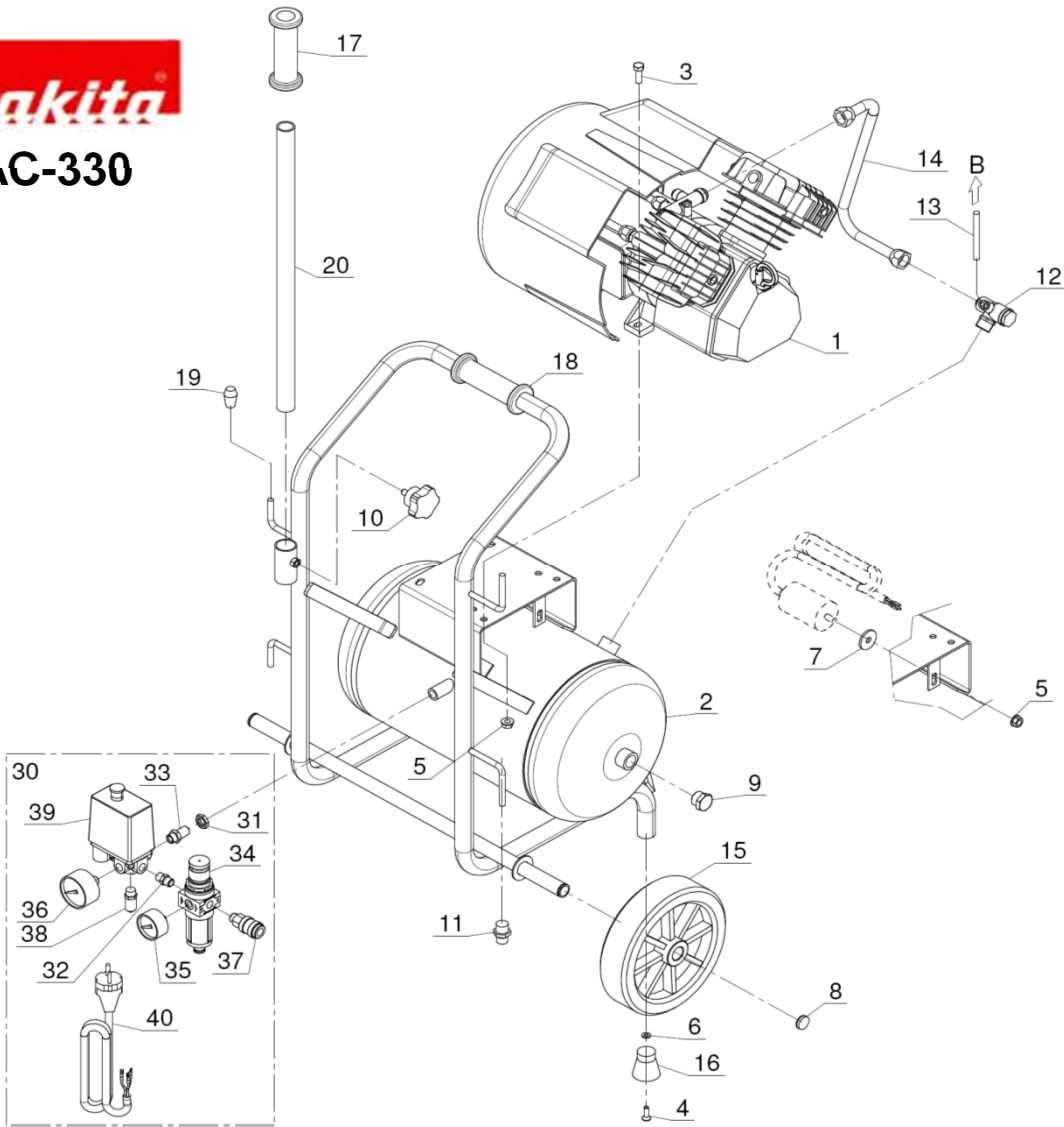




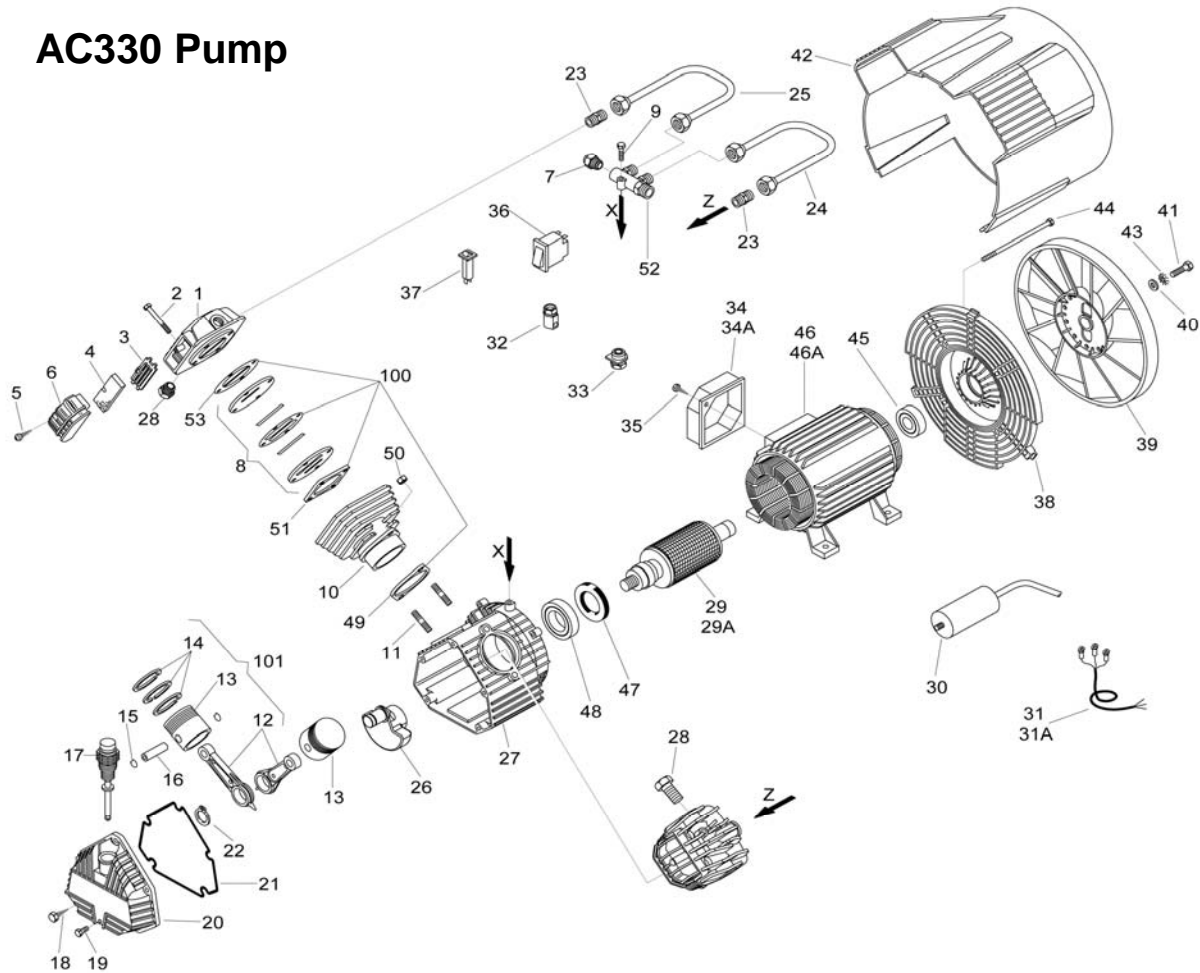
AC-330



VALID FROM 23.8.2011 - VALIDO DAL 23.8.2011 (REV-00)

| REF. RIF. | CODE CODICE | QT | DESCRIPTION DESCRIZIONE | REF. RIF. | CODE CODICE | QT | DESCRIPTION DESCRIZIONE |
|--------------|----------------|----|---|--------------|----------------|----|----------------------------|
| 1 | 2027002000 | 1 | Pump unit Gruppo pompante VX304 | | | | |
| 2 | 5158470008 | 1 | Tank Serbatoio 24lt | | | | |
| 3 | 7011100000 | 4 | Screw Vite M8X25 UNI-5739 | | | | |
| 4 | 7012740000 | 2 | Screw Vite M6 X 20 | | | | |
| 5 | 7020240000 | 5 | Nut Dado M8 DIN-6923 | | | | |
| 6 | 7030020000 | 2 | Washer Rondella Ø6 UNI-6592 | | | | |
| 7 | 7030970000 | 1 | Washer Rondella GOMMA Ø30X2 | | | | |
| 8 | 7042020000 | 2 | Internal snapping Seeger TIPO ZA 20 | | | | |
| 9 | 7090030000 | 2 | Plug Tappo M1/2" | | | | |
| 10 | 7101640000 | 1 | Knob Pomello M8x15 | | | | |
| 11 | 7130580000 | 1 | Tap Rubinetto a sfera MF 3/8" | | | | |
| 12 | 7190190000 | 1 | Non return valve Valvola di ritegno MM 1/2"-SX | | | | |
| 13 | 7230010000 | 1 | Rilsan hose Tubo Rilsan Ø6X4 | | | | |
| 14 | 7236360000 | 1 | Infeed hose Tubo alimentazione | | | | |
| 15 | 7260400000 | 2 | Wheel Ruota Ø260x85 | | | | |
| 16 | 7270010000 | 2 | Rubber Foot Piede in gomma | | | | |
| 17 | 7280030000 | 1 | Handle Manopola | | | | |
| 18 | 7280050000 | 1 | Handle Manopola | | | | |
| 19 | 7360460000 | 4 | Rubber Gommino | | | | |
| 20 | 7398510000 | 1 | Handle Manico | | | | |
| | | | | | | | |
| | | | | | | | |
| 30 | 4055620000 | 1 | Press. Switch kit Kit Pressostato | | | | |
| 31 | 7023040000 | 1 | Locking nut Controdado 1/4" | | | | |
| 32 | 7081090000 | 1 | Joint Raccordo 1/4" MM | | | | |
| 33 | 7081140000 | 1 | Joint Raccordo 1/4" MM | | | | |
| 34 | 7100380000 | 1 | Pressure reducer Riduttore di pressione | | | | |
| 35 | 7110240000 | 1 | Pressure gauge Manometro Ø40-1/8" | | | | |
| 36 | 7110300000 | 1 | Pressure gauge Manometro Ø50-1/4" | | | | |
| 37 | 7130660000 | 1 | Universal Tap Rubinetto universale M1/4" | | | | |
| 38 | 7192010000 | 1 | Safety valve Valvola di sic. M1/4-10,5Bar | | | | |
| 39 | 7250740000 | 1 | Pressure switch Pressostato | | | | |
| 40 | 7329070000 | 1 | Infeed cable Cavo alimentazione | | | | |

AC330 Pump



| REF. RIF. | CODE CODICE | QT | DESCRIPTION DESCRIZIONE | REF. RIF. | CODE CODICE | QT | DESCRIPTION DESCRIZIONE |
|-----------|-------------|----|---|-----------|-------------|----|---|
| 1 | 5030250008 | 2 | Head Testa | 38 | 7640010000 | 1 | Cover Calotta |
| 2 | 7011220000 | 8 | Screw Vite T.E. M6x40 UNI 5737 | 39 | 7200340000 | 1 | Fan Ventola |
| 3 | 7458340000 | 2 | Filter plate Piastrina filtro | 40 | 7038020000 | 1 | Washer Rondella |
| 4 | 7210010000 | 2 | Filtering element Elemento filtrante | 41 | 7011090000 | 1 | Screw Vite T.E. M8x20 UNI5739 |
| 5 | 7012010000 | 2 | Screw Vite ø 3.9x19 "B" UNI 6954 | 42 | 7150370000 | 1 | Housing Carenatura |
| 6 | 7210180000 | 2 | Intake filter Filtro aspirazione | 43 | 7031010000 | 1 | Washer Rondella ø 8 UNI 3703 |
| 7 | 7196000000 | 1 | START valve Valvola START | 44 | 7015100000 | 4 | Tension rod Tirante |
| 8 | 7459490000 | 2 | Valve plate Piastra valvole | 45 | 7060030000 | 1 | Bearing Cuscinetto 6204 2RS |
| 9 | 7010120000 | 1 | Screw Vite T.C.C.E. M6x25 UNI5931 | 46 | 4011450000 | 1 | Motor Motore V230 / V240 50/1 |
| 10 | 5060160008 | 2 | Cylinder Cilindro | 47 | 7071160000 | 1 | SMIM ring Anello SMIM 4062/10 |
| 11 | 7015020000 | 4 | Stud bolt Prigioniero | 48 | 7060070000 | 1 | Bearing Cuscinetto 6007 |
| 12 | 5050160008 | 2 | Con rod Biella | 49 | 7078150000 | 2 | Gasket/cylinder crar Guarnizione cilindro carter |
| 13 | 7220050000 | 2 | Piston Pistone | 50 | 7020070000 | 4 | Nut Dado M8 UNI 5587 |
| 14 | 4080030000 | 2 | Piston rings Kit segmenti | 51 | 7078160000 | 2 | Gasket/cylinder valv Guarnizione cilindro/piastra v. |
| 15 | 7041030000 | 4 | Ring Anello | 52 | 7089950000 | 1 | Manifold Collettore |
| 16 | 7050030000 | 2 | Piston pin Spinotto | 53 | 7078580000 | 2 | Gasket head/valve p Guarnizione testa/piastra val. |
| 17 | 7181060000 | 1 | Oil level Asta livello olio | | | | |
| 18 | 7012180000 | 5 | Screw Vite T.E. M6x20 TAP TITE | 100 | 4082080000 | 2 | Set of gasket Kit guarnizioni |
| 19 | 7011460000 | 1 | Screw Vite T.E. M6x15 TAP TITE | 101 | 4191040000 | 2 | Set Con rod/Piston Kit Biella/Pistone |
| 20 | 7650010000 | 1 | Carter cover Coperchio carter | | | | |
| 21 | 7078440000 | 1 | Gasket Guarnizione | | | | |
| 22 | 7040040000 | 1 | Seeger Seeger E20 UNI 7435 | | | | |
| 23 | 7081100000 | 2 | Joint Raccordo | | | | |
| 24 | 7237010000 | 1 | Tube dx. Tubo dx. | | | | |
| 25 | 7237020000 | 1 | Tube dx. Tubo sx. | | | | |
| 26 | 5041390008 | 1 | Counter weight Manovella | | | | |
| 27 | 5070180008 | 1 | Carter Carter | | | | |
| 28 | 7090080000 | 2 | Plug Tappo | | | | |
| 29 | 4280860000 | 1 | Single phase rotor Indotto monofase | | | | |
| | | | | | | | |
| 30 | 7310410000 | 1 | Capacitor Condensatore 50 µF | | | | |
| 31 | 7329900000 | 1 | Single phase cable Cavo monofase | | | | |
| 31A | 7329870000 | 1 | Three phase cable Cavo trifase | | | | |
| 32 | 7501050000 | 1 | Stretch eliminator Bloccacavo steab | | | | |
| 33 | 7501060000 | 1 | Stretch eliminator Bloccacavo | | | | |
| 34 | 7382340000 | 1 | Single phase cover Coperchio monofase | | | | |
| | | | | | | | |
| 35 | 7012020000 | 2 | Screw Vite ø 3.9x12.7 UNI 6954 | | | | |
| 36 | 7410530000 | 1 | 3ph. thermal protect Termica trifase 8 AMP | | | | |
| 37 | 7410390000 | 1 | 1ph. thermal protect Termica monofase 15 AMP | | | | |

IN VIGOUR FROM 05/12/05 - IN VIGORE DAL 05/12/05 (REV-02)