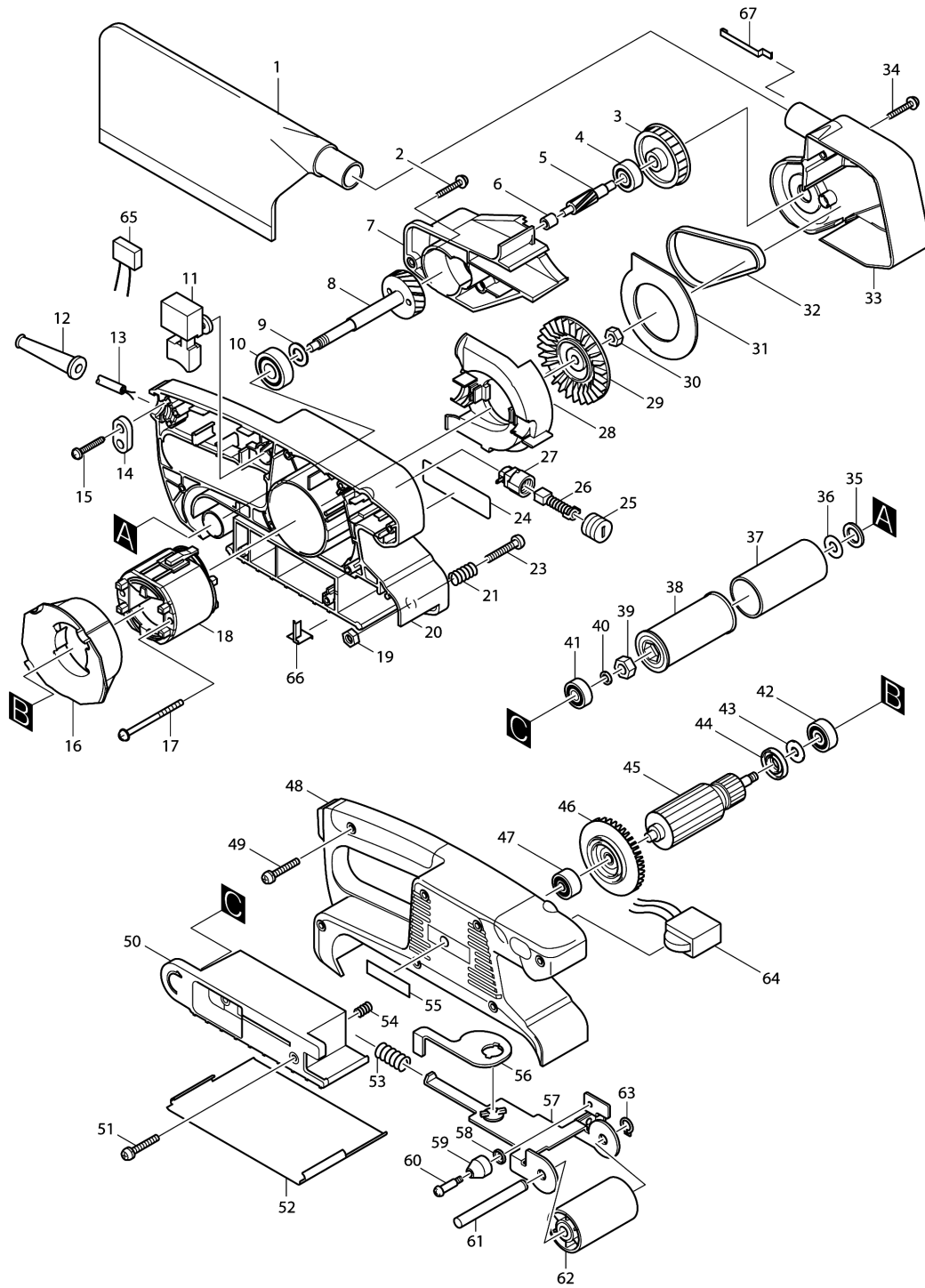


Model No.9911 BELT SANDER 76MM



Model No.9911 BELT SANDER 76MM

Item	Parts No.	Description	I/C	Qty	New/Old	Opt. 1	Opt. 2	Note
001	122548-3	DUST BAG ASS'Y		1				
C10	410602-8	FASTENER		1				
C10	410602-8	FASTENER		1				
C10	410602-8	FASTENER		1				
002A_A	266119-7	TAPPING SCREW FLANGE PF 4X25		4	*			
002A_B	266119-7	TAPPING SCREW FLANGE PF 4X25		4	*			
002A1A	265999-8	TAPPING SCREW 4X25	O	4				
002A1B	265999-8	TAPPING SCREW 4X25	O	4				
002A1C	265999-8	TAPPING SCREW 4X25		4				
003	222144-8	PULLEY 8.5-45.1		1				
004	210005-4	BALL BEARING 608DDW		1				
005	226494-3	HELICAL GEAR 6		1				
006	212009-2	NEEDLE BEARING 509		1				
007	416420-2	BRACKET		1				
008	153252-3	HELICAL GEAR 31 COMPLETE		1				
009	253758-2	FLAT WASHER 10		1				
010	211061-7	BALL BEARING 6000LLB		1				
011A	651285-7	SWITCH		1	*			
011B	651285-7	SWITCH		1	*			
011-1A	650232-5	SWITCH TGL215CDT-1	O	1				
011-1B	650232-5	SWITCH TGL215CDT-1	O	1				
011-1C	650232-5	SWITCH TGL215CDT-1		1				
012A_	682502-4	CORD GUARD 8-85		1				
013D1C	665394-6	POWER SUPPLY CORD 1.0-2-2.5		1				
013E_A	665394-6	POWER SUPPLY CORD 1.0-2-2.5		1				
013E_B	665394-6	POWER SUPPLY CORD 1.0-2-2.5		1				
014A1C	687052-4	STRAIN RELIEF		1				
014B_A	687052-4	STRAIN RELIEF		1				
014B_B	687052-4	STRAIN RELIEF		1				
015A_A	266121-0	TAPPING SCREW FLANGE PF 4X18		2	*			
015A_B	266121-0	TAPPING SCREW FLANGE PF 4X18		2	*			
015A1A	265995-6	TAPPING SCREW 4X18	O	2				
015A1B	265995-6	TAPPING SCREW 4X18	O	2				
015A1C	265995-6	TAPPING SCREW 4X18		2				
016	416418-9	BAFFLE PLATE		1				
017A_A	266114-7	TAPPING SCREW FLANGE PF 4X60		2	*			
017A_B	266114-7	TAPPING SCREW FLANGE PF 4X60		2	*			
017A1A	266052-3	TAPPING SCREW 4X60	O	2				

Model No.9911 BELT SANDER 76MM

Item	Parts No.	Description	I/C	Qty	New/Old	Opt. 1	Opt. 2	Note
017A1B	266052-3	TAPPING SCREW 4X60	O	2				
017A1C	266052-3	TAPPING SCREW 4X60		2				
018B_	633393-6	FIELD 220-240V		1				
019	931202-6	HEX. NUT M5		1				
020	150958-4	HOUSING L COMPLETE		1				
D10		INC. 6,19						
021	233219-8	COMPRESSION SPRING 6		1				
023	911252-7	PAN HEAD SCREW M5X30		1				
024	859230-8	NAME PLATE 9911		1	*			
024-1	859603-5	NAME PLATE 9911	<	1				
025	643550-8	BRUSH HOLDER CAP 5-8		2				
026A_	191940-4	CARBON BRUSH CB-411		1				
027	643922-7	BRUSH HOLDER		2				
028	416416-3	SCROLL PLATE		1				
029	241660-1	FAN 68		1				
030	252153-3	HEX. NUT M6-10		1				
031	344584-1	PLATE		1				
032	225079-2	SYNCHRO BELT 6-300		1				
033A	416415-5	BELT COVER		1	*			
033B	416415-5	BELT COVER		1	*			
033-1A	183021-8	BELT COVER SET	X	1				
033-1B	183021-8	BELT COVER SET	X	1				
033-1C	183021-8	BELT COVER SET		1				
D10		INC. 67						
034A_A	266119-7	TAPPING SCREW FLANGE PF 4X25		4	*			
034A_B	266119-7	TAPPING SCREW FLANGE PF 4X25		4	*			
034A1A	265999-8	TAPPING SCREW 4X25	O	4				
034A1B	265999-8	TAPPING SCREW 4X25	O	4				
034A1C	265999-8	TAPPING SCREW 4X25		4				
035	267177-6	FLAT WASHER 12		1				
036	253865-1	FLAT WASHER 8		1				
037	422032-1	RUBBER SLEEVE 29		1				
038	316971-4	DRIVING ROLLER		1				
039	252154-1	HEX. NUT M8-13		1				
040	253077-6	FLAT WASHER 6		1				
041	210022-4	BALL BEARING 626DDW		1				
042	210023-2	BALL BEARING 627DDW		1				
043	253823-7	FLAT WASHER 7		1				
044A	681648-3	INSULATION WASHER		1	*			
044B	681648-3	INSULATION WASHER		1	*			
044-1A	681658-0	INSULATION WASHER	X	1				

Model No.9911 BELT SANDER 76MM

Item	Parts No.	Description	I/C	Qty	New/Old	Opt. 1	Opt. 2	Note
044-1B	681658-0	INSULATION WASHER	X	1				
044-1C	681658-0	INSULATION WASHER		1				
045B_	517243-2	ARMATURE ASS'Y 220-240V		1				
D10		INC. 42-44,46,47						
046	240008-4	FAN 60		1				
047	211021-9	BALL BEARING 607LLB		1				
048	182982-9	HOUSING R		1				
D10		INC. 55						
049A_A	266119-7	TAPPING SCREW FLANGE PF 4X25		7	*			
049A_B	266119-7	TAPPING SCREW FLANGE PF 4X25		7	*			
049A1A	265999-8	TAPPING SCREW 4X25	O	7				
049A1B	265999-8	TAPPING SCREW 4X25	O	7				
049A1C	265999-8	TAPPING SCREW 4X25		7				
050	416419-7	SHOE		1				
051A_A	266119-7	TAPPING SCREW FLANGE PF 4X25		2	*			
051A_B	266119-7	TAPPING SCREW FLANGE PF 4X25		2	*			
051A1A	265999-8	TAPPING SCREW 4X25	O	2				
051A1B	265999-8	TAPPING SCREW 4X25	O	2				
051A1C	265999-8	TAPPING SCREW 4X25		2				
052A	344586-7	STEEL PLATE		1	*			
052B	344586-7	STEEL PLATE		1	*			
052-1A	345503-0	STEEL PLATE	O	1	*			
052-1B	345503-0	STEEL PLATE	O	1	*			
052-2A	344586-7	STEEL PLATE	O	1				
052-2B	344586-7	STEEL PLATE	O	1				
052-2C	344586-7	STEEL PLATE		1				
053	233221-1	COMPRESSION SPRING 12		1				
054-1	231038-6	COMPRESSION SPRING 6		1				
055	819063-3	MAKITA LABEL		1				
056	344585-9	LEVER		1				
057	150837-6	TENSION ROLLER ARM COMPLETE		1				
058	267731-6	CUP WASHER 4		1				
059	416417-1	ROLLER		1				
060	265059-6	SHOULDER SCREW M4		1				
061	323776-5	TENSION ROLLER SHAFT		1				
062	152585-3	TENSION ROLLER COMPLETE		1				
063	961004-6	RETAINING RING S-8		1				
064A_A	631202-3	CONTROLLER 200-240V		1	*			
064A_B	631202-3	CONTROLLER 200-240V		1	*			
064A1A	631678-4	CONTROLLER	O	1				

Model No.9911 BELT SANDER 76MM

Item	Parts No.	Description	I/C	Qty	New/Old	Opt. 1	Opt. 2	Note
064A1B	631678-4	CONTROLLER	O	1				
064A1C	631678-4	CONTROLLER		1				
066	344703-9	EARTH SUPPORTER		1				
067	344701-3	EARTH PLATE		1				
068	632800-6	LEAD UNIT		2				
A01A	794551-0	ABRASIVE BELT 76X457 WA80		1				
A01B	193957-3	ABRASIVE BELT SET		1				
A01C	193957-3	ABRASIVE BELT SET		1				
A02B	824733-1	PLASTIC CARRYING CASE		1	*			
A02C	821551-8	CONNECTOR PLASTIC CASE (TYPE3)		1				
C10	453974-8	LATCH		4				
A02-1B	824982-0	PLASTIC CARRYING CASE	S	1				
C10	162271-8	LATCH		2				
C20	450990-1	HANDLE		1				
A03B	824732-3	INNER TRAY		1	*			
A03C	837658-0	INNER TRAY		1				
A03-1B	837721-9	INNER TRAY	S	1				
A04B	794551-0	ABRASIVE BELT 76X457 WA80		1				
A04C	800X32-9	9911J INDICATION LABEL		1				
A05C	800X33-7	9911J PLASTIC CASE LABEL		2				
A06C	794551-0	ABRASIVE BELT 76X457 WA80		1				
E02B_A	645200-1	NOISE SUPPRESSOR		1	*			
E02B_B	645200-1	NOISE SUPPRESSOR		1	*			
E02B1A	645146-1	NOISE SUPPRESSOR	O	1				
E02B1B	645146-1	NOISE SUPPRESSOR	O	1				
E02B1C	645146-1	NOISE SUPPRESSOR		1				
E03A	652259-1	CLAMP WASHER		4	*			
E03B	652259-1	CLAMP WASHER		4	*			

Please order the parts with part number.

Print Date 25/3/2020