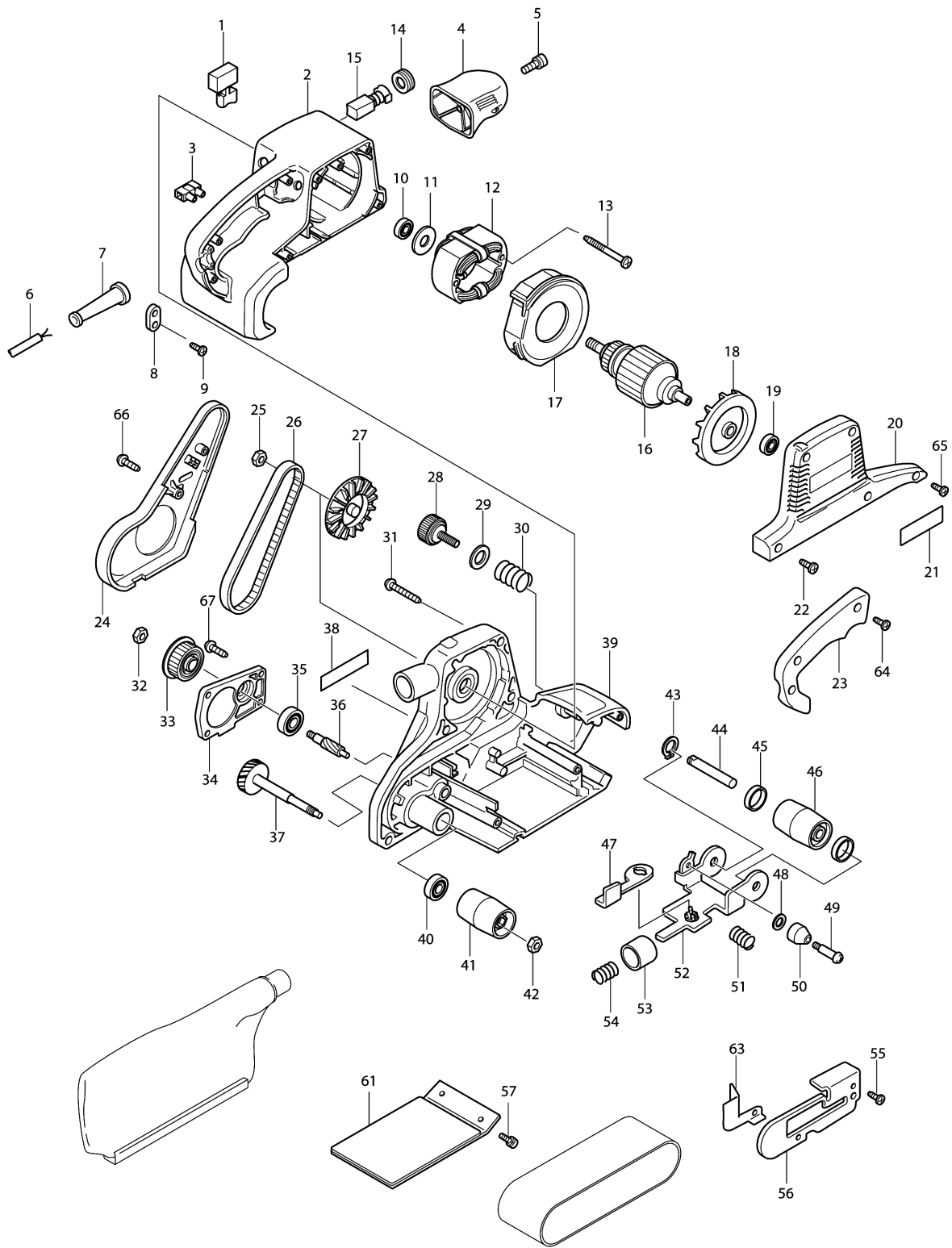


Model No.9902 BELT SANDER 76MM



Model No.9902 BELT SANDER 76MM

| Item | Parts No. | Description | I/C | Qty | New/Old | Opt. 1 | Opt. 2 | Note |
|-------|-----------|-----------------------------|-----|-----|---------|--------|--------|------|
| 001 | 651284-9 | SWITCH SGEL115CDY-6 | | 1 | | | | |
| 002 | 151743-8 | MOTOR HOUSING COMPLETE | | 1 | | | | |
| C10 | 643708-9 | BRUSH HOLDER 5-11 | | 2 | | | | |
| 003 | 654532-5 | TERMINAL BLOCK 1P | | 1 | | | | |
| 004 | 417049-7 | FRONT GRIP | | 1 | | | | |
| 005 | 266173-1 | TAPPING SCREW 5X30 | | 1 | | | | |
| 006D_ | 665890-4 | POWER SUPPLY CORD 1.0-2-4.0 | | 1 | | | | |
| 007B_ | 682540-6 | CORD GUARD 9.3-90 | | 1 | * | | | |
| 007B1 | 682505-8 | CORD GUARD 10-90 | O | 1 | | | | |
| 008A_ | 687052-4 | STRAIN RELIEF | | 1 | | | | |
| 009 | 265995-6 | TAPPING SCREW 4X18 | | 2 | | | | |
| 010 | 211088-7 | BALL BEARING 6000DDW | | 1 | | | | |
| 011 | 681649-1 | INSULATION WASHER | | 1 | | | | |
| 012B_ | 523404-4 | FIELD ASS'Y 230-240V | | 1 | | | | |
| C20 | 654502-4 | CONNECTOR P-2 | | 2 | * | | | |
| C21 | 654501-6 | CONNECTOR P-1.25 | < | 2 | * | | | |
| C22 | 654502-4 | CONNECTOR P-2 | O | 2 | | | | |
| C22 | 654502-4 | CONNECTOR P-2 | | 2 | | | | |
| C10 | 654020-2 | RING TERMINAL | | 2 | | | | |
| 013 | 266056-5 | TAPPING SCREW 5X45 | | 2 | | | | |
| 014 | 643750-0 | BRUSH HOLDER CAP 7-11 | | 2 | * | | | |
| 014-1 | 643515-0 | HOLDER CAP 7-11 | O | 2 | | | | |
| 015 | 191963-2 | CARBON BRUSH CB-303 | | 1 | | | | |
| 016B_ | 513339-7 | ARMATURE ASS'Y 230-240V | | 1 | | | | |
| D10 | | INC. 10,11,18,19 | | | | | | |
| 017 | 417050-2 | BAFFLE PLATE | | 1 | | | | |
| 018 | 240026-2 | FAN 75 | | 1 | | | | |
| 019 | 210023-2 | BALL BEARING 627DDW | | 1 | | | | |
| 020 | 417046-3 | MOTOR COVER | | 1 | | | | |
| 021 | 819001-5 | MAKITA LABEL | | 1 | | | | |
| 022 | 265995-6 | TAPPING SCREW 4X18 | | 4 | | | | |
| 023 | 417051-0 | HANDLE COVER | | 1 | | | | |
| 024 | 417052-8 | BELT COVER | | 1 | | | | |
| 025 | 252153-3 | HEX. NUT M6-10 | | 1 | | | | |
| 026 | 225084-9 | SYNCHRO BELT 6-330 | | 1 | | | | |
| 027 | 241663-5 | FAN 76 | | 1 | | | | |
| 028 | 251815-0 | SCREW M6X25 | | 1 | | | | |
| 029 | 253707-9 | FLAT WASHER 16 | | 1 | | | | |
| 030 | 231225-7 | COMPRESSION SPRING 16 | | 1 | | | | |
| 031 | 266050-7 | TAPPING SCREW 4X30 | | 5 | | | | |
| 032 | 931402-8 | HEX. NUT M8 | | 1 | | | | |
| 033 | 222156-1 | PULLEY 9.5-46.0 | | 1 | | | | |

Please order the parts with part number.

Print Date 3/6/2019

Model No.9902 BELT SANDER 76MM

| Item | Parts No. | Description | I/C | Qty | New/Old | Opt. 1 | Opt. 2 | Note |
|--------|-----------|-----------------------------|-----|-----|---------|--------|--------|------|
| 034 | 317273-1 | GEAR COVER | | 1 | | | | |
| 035A | 211092-6 | BALL BEARING 629DDW | | 1 | * | | | |
| 035-1A | 210078-7 | BALL BEARING 629DDW | O | 1 | * | | | |
| 035-2A | 211092-6 | BALL BEARING 629DDW | O | 1 | | | | |
| 035-2B | 211092-6 | BALL BEARING 629DDW | | 1 | | | | |
| 036 | 226520-8 | HELICAL GEAR 10 | | 1 | | | | |
| 037 | 151755-1 | HELICAL GEAR 39 COMPLETE | | 1 | | | | |
| C10 | 226519-3 | HELICAL GEAR 39 | | 1 | | | | |
| 038 | 852049-4 | NAME PLATE 9902 | | 1 | | | | |
| 039 | 151746-2 | FRAME COMPLETE | | 1 | | | | |
| C20 | 214116-7 | PLANE BEARING 12 | | 1 | * | | | |
| C21 | 214101-0 | PLANE BEARING 12 | < | 1 | | | | |
| C21 | 214101-0 | PLANE BEARING 12 | | 1 | | | | |
| C10 | 212043-2 | NEEDLE BEARING 810 | | 1 | | | | |
| C30 | 344828-9 | PLATE | | 1 | | | | |
| 040 | 211088-7 | BALL BEARING 6000DDW | | 1 | | | | |
| 041 | 162217-4 | DRIVING ROLLER | | 1 | | | | |
| 042 | 252154-1 | HEX. NUT M8-13 | | 1 | | | | |
| 043 | 961052-5 | RETAINING RING S-12 | | 1 | | | | |
| 044 | 323931-9 | TENSION ROLLER SHAFT | | 1 | | | | |
| 045 | 253922-5 | CUP WASHER 12 | | 2 | | | | |
| 046 | 151753-5 | TENSION ROLLER COMPLETE | | 1 | | | | |
| C10 | 214116-7 | PLANE BEARING 12 | | 2 | | | | |
| C20 | 413012-8 | SPONGE SHEET 30-47 | | 1 | | | | |
| 047 | 344823-9 | LEVER | | 1 | | | | |
| 048 | 267731-6 | CUP WASHER 4 | | 1 | | | | |
| 049 | 265059-6 | SHOULDER SCREW M4 | | 1 | | | | |
| 050 | 416417-1 | ROLLER | | 1 | | | | |
| 051 | 233249-9 | COMPRESSION SPRING 7 | | 1 | | | | |
| 052 | 151744-6 | TENSION ROLLER ARM COMPLETE | | 1 | | | | |
| 053 | 267746-3 | CUP WASHER 17 | | 1 | | | | |
| 054 | 233250-4 | COMPRESSION SPRING 12 | | 1 | | | | |
| 055 | 266034-5 | TAPPING SCREW CT 4X16 | | 2 | | | | |
| 056 | 344821-3 | SAFETY COVER | | 1 | | | | |
| 057 | 911116-5 | PAN HEAD SCREW M4X12 | | 2 | | | | |
| 061A1 | 193197-3 | CARBON PLATE | | 1 | | | | |
| 063 | 344829-7 | GUARD | | 1 | | | | |
| 064 | 265995-6 | TAPPING SCREW 4X18 | | 3 | | | | |
| 065 | 266034-5 | TAPPING SCREW CT 4X16 | | 1 | | | | |
| 066 | 266034-5 | TAPPING SCREW CT 4X16 | | 1 | | | | |
| 067 | 266034-5 | TAPPING SCREW CT 4X16 | | 4 | | | | |
| A01 | 122591-2 | DUST BAG ASS'Y | | 1 | | | | |

Please order the parts with part number.

Print Date 3/6/2019

Model No.9902 BELT SANDER 76MM

| Item | Parts No. | Description | I/C | Qty | New/Old | Opt. 1 | Opt. 2 | Note |
|-------|-----------|--------------------------------|-----|-----|---------|--------|--------|------|
| C10 | 410602-8 | FASTENER | | 1 | | | | |
| A02 | 794121-5 | ABRASIVE BELT 76X533 WA80 | | 1 | | | | |
| A03B | 821551-8 | CONNECTOR PLASTIC CASE (TYPE3) | | 1 | | | | |
| C10 | 453974-8 | LATCH | | 4 | | | | |
| A04B | 803E58-6 | 9902J INDICATION LABEL | | 1 | | | | |
| A05B | 803E59-4 | 9902J PLASTIC CASE LABEL | | 2 | | | | |
| A06B | 837877-8 | INNER TRAY | | 1 | | | | |
| E01-1 | 193199-9 | CORK RUBBER PLATE | | 1 | | | | |
| E02 | 344848-3 | STRAP WASHER | | 1 | | | | |
| E03 | 645105-5 | NOISE SUPPRESSOR | | 1 | | | | |

Please order the parts with part number.

Print Date 3/6/2019