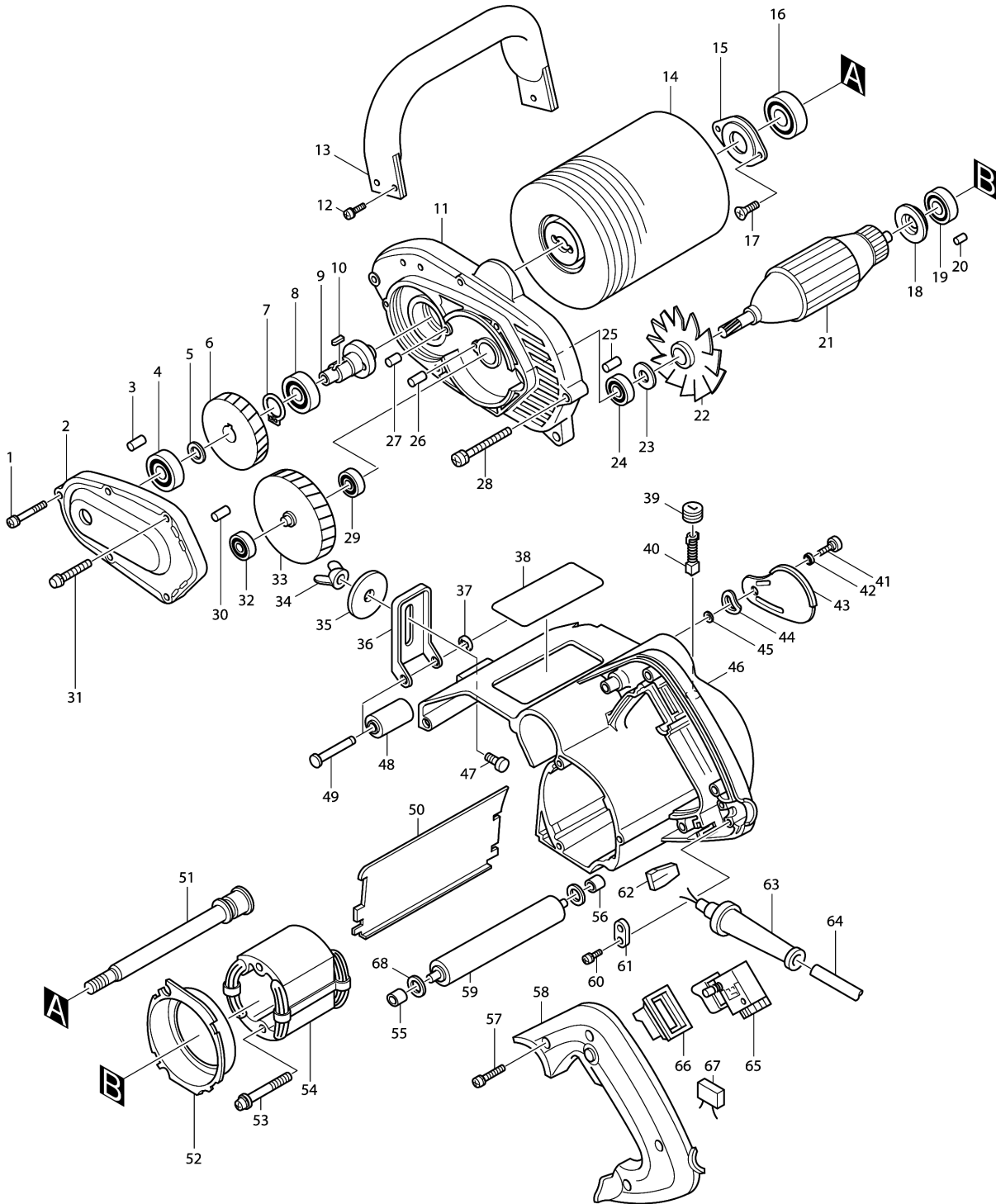


Model No.9741 WHEEL SANDER



Model No.9741 WHEEL SANDER

Item	Parts No.	Description	I/C	Qty	New/Old	Opt. 1	Opt. 2	Note
001-1	911248-8	PAN HEAD SCREW M5X28		3				
002	157777-9	GEAR HOUSING COVER		1				
D10		INC. 3,30						
003	263002-9	RUBBER PIN 4		1				
004	211101-1	BALL BEARING 6001LLB		1				
005	253744-3	FLAT WASHER 12		1				
006	221756-4	HELICAL GEAR 53		1				
007	961055-9	RETAINING RING S-15		1				
008	211227-9	BALL BEARING 6002DDW		1	*			
008-1	211236-8	BALL BEARING 6002DDW	O	1				
009	163269-8	SPINDLE		1				
010	254219-5	KEY 4		1				
011	157776-1	GEAR HOUSING		1				
D10		INC. 25-27,55						
012-1	911218-7	PAN HEAD SCREW M5X14		3				
013	273623-9	GRIP		1				
014	794380-1	SLIT PAPER WHEEL 120-40		1	*			
014-1	794384-3	NYLON BRUSH WHEEL 120-80		1				
015	285661-9	BEARING RETAINER		1				
016	211275-8	BALL BEARING 6003DDW		1				
017	912122-3	COUNTERSUNK HEAD SCREW M4X14		2				
018	681625-5	INSULATION WASHER		1				
019	211031-6	BALL BEARING 608LLB		1				
020	263014-2	RUBBER PIN 4		1				
021C_	512928-5	ARMATURE ASS'Y 220V		1				
D11		INC. 18,19,22,23,24						
022	241113-0	FAN 68		1				
023	213059-0	DUST SEAL 10		1	*			
023-1	253024-7	FLAT WASHER 10	X	1				
024	211061-7	BALL BEARING 6000LLB		1	*			
024-1	211088-7	BALL BEARING 6000DDW	X	1				
025	263002-9	RUBBER PIN 4		1				
026	263002-9	RUBBER PIN 4		1				
027	263005-3	RUBBER PIN 6		1				
028-1	911258-5	PAN HEAD SCREW M5X35		3				
029	211019-6	BALL BEARING 626		1				
030	263002-9	RUBBER PIN 4		1				
031-1	911278-9	PAN HEAD SCREW M5X55		2				
032	211019-6	BALL BEARING 626		1				
033	153168-2	GEAR COMPLETE 64		1				
034	934301-3	WING NUT M6		1				
035	253196-8	FLAT WASHER 6		1				

Please order the parts with part number.

Print Date 25/3/2020

Model No.9741 WHEEL SANDER

Item	Parts No.	Description	I/C	Qty	New/Old	Opt. 1	Opt. 2	Note
036	343434-7	DEPTH GUIDE		1				
037	961018-5	STOP RING E-5		1				
038	855929-3	NAME PLATE 9741		1				
039	643600-9	BRUSH HOLDER CAP 6-10		2				
040C_	181030-1	CARBON BRUSH CB-100		1				
041	251323-1	+ PAN HEAD SCREW M4		1				
042	253308-3	THIN WASHER 6		1				
043	343436-3	COVER PLATE		1				
044	253980-1	WAVE WASHER 14		1				
045	253874-0	FLAT WASHER 4		1				
046	157798-1	HOUSING		1				
C10	643603-3	BRUSH HOLDER 6-10		2	*			
C11	643609-1	BRUSH HOLDER 6-10	O	2				
C20	816689-2	INDICATION LABEL		1				
C30	817895-2	CAUTION LABEL		1				
D10		INC. 20,56						
047	251919-8	CAP SQUARE NECK BOLT M6X20		1				
048	162134-8	FRONT ROLLER		1				
049	256655-1	PIN 7		1				
050	343435-5	PLATE		1				
051	322071-0	ARBOR		1				
052	410957-1	BAFFLE PLATE		1				
053-1	911285-2	PAN HEAD SCREW M5X60		2				
054F_	527414-3	FIELD ASS'Y 220V		1				
C10	654019-7	RING TERMINAL		2				
C20	654501-6	CONNECTOR P-1.25		2				
055	262515-7	SLEEVE 6		1				
056	262515-7	SLEEVE 6		1				
057	911153-9	PAN HEAD SCREW M4X28		4				
058	410954-7	HANDLE COVER		1				
059	162133-0	ROLLER		1				
060	911133-5	PAN HEAD SCREW M4X18		2				
061B_	687031-2	STRAIN RELIEF		1				
062	423096-8	SPONGE SEAL		1				
063B_	682516-3	CORD GUARD 9.3-85		1	*			
063B1	682504-0	CORD GUARD 10-85	O	1				
064N_	665883-1	POWER SUPPLY CORD 1.0-2- 5.0		1				
065	651332-4	SWITCH SGEL210R-4		1				
066	421323-7	SWITCH COVER		1				
067B_	645200-1	NOISE SUPPRESSOR		1				
068	941152-7	FLAT WASHER 6		2				

Model No.9741 WHEEL SANDER

Item	Parts No.	Description	I/C	Qty	New/Old	Opt. 1	Opt. 2	Note
400	410899-9	JOINT		1				
401	783204-6	HEX. WRENCH 6		2				

Please order the parts with part number.

Print Date 25/3/2020