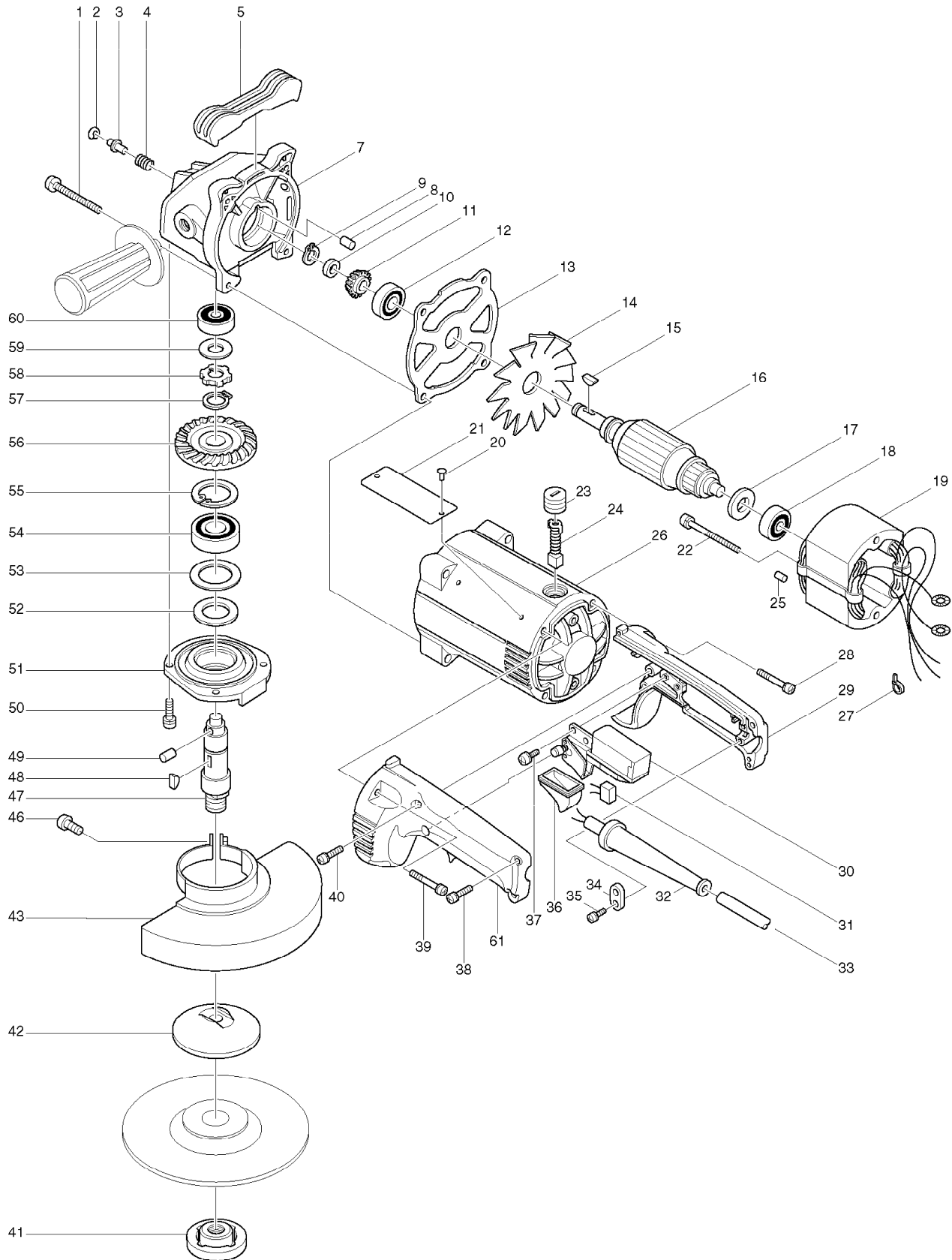


# SERVICE DRAWING

MODEL NO. 9609NB



# SPARE PARTS LIST

MODEL NO. 9609NB

ITEM	PART NO.	DESCRIPTION	QTY	NOTE
001	911261-6	PAN HEAD SCREW M5X40	4	
002	962062-5	RETAINING RING R-12	1	
003	256615-3	PIN 6	1	
004	231037-8	COMPRESSION SPRING 7	1	
005	421156-0	TOOL REST	1	
007	156451-6	GEAR HOUSING	1	
008	263005-3	RUBBER PIN 6	1	
009	961051-7	RETAINING RING S-11	1	
010	257062-1	RING 11	1	
011	221322-7	SPIRAL BEVEL GEAR 17	1	
012	211132-0	BALL BEARING 6301DDW	1	
013	341403-2	PLATE	1	
014	254001-2	WOODRUFF KEY 4	1	
015	241315-8	FAN 100	1	
016	514937-0	ARMATURE ASS'Y 200V-220V	1	220V
017	*****	*****	***	*****
018	211087-9	BALL BEARING 6200DDW	1	
019	524533-6	FIELD ASS'Y 220V	1	220V
020	953106-2	RIVET 0-5	2	
021	855490-0	NAME PLATE 9609NB	1	
022	911290-9	PAN HEAD SCREW M5X65	2	
023	643650-4	BRUSH HOLDER CAP 6.5-13.5	2	
024	181044-0	CARBON BRUSH CB-153	1	
025	*****	*****	***	*****
026	156452-4	MOTOR HOUSING	1	
027	687010-0	BAND	1	
028	911248-8	PAN HEAD SCREW M5X28	2	
029	181908-8	HANDLE SET	1	
030	651128-3	SWITCH C3D-15AS	1	
031	645208-5	NOISE SUPPRESSOR	1	
032	682505-8	CORD GUARD 10-90	1	115V
033	665516-8	POWER SUPPLY CORD 1.00-2-2.5	1	
034	687001-1	STRAIN RELIEF	1	
035	911133-5	PAN HEAD SCREW M4X18	2	
036	421279-4	DUST COVER F/AC/DC SWITCH	1	
037	911113-1	PAN HEAD SCREW M4X10	2	
038	911148-2	PAN HEAD SCREW M4X25	2	
039	911248-8	PAN HEAD SCREW M5X28	2	
040	911148-2	PAN HEAD SCREW M4X25	1	
041	224543-0	LOCK NUT 14-45	1	
042	*****	*****	***	*****
043	164814-2	WHEEL COVER 230	1	
044	342555-2	WHEEL COVER HOLDER	1	
046	251383-3	PAN HEAD SCREW M8X30	1	
047	321218-3	SPINDLE	1	
048	254001-2	WOODRUFF KEY 4	1	
049	256047-4	PIN 6	1	
050	911226-8	PAN HEAD SCREW M5X18	1	
051	315003-4	BEARING BOX	1	
052	443036-0	FELT RING 25	1	
053	253772-8	FLAT WASHER 28	1	
054	211256-2	BALL BEARING 6203LLB	1	

# SPARE PARTS LIST

---

MODEL NO. 9609NB

ITEM	PART NO.	DESCRIPTION	QTY	NOTE
055	962157-4	RETAINING RING R-40	1	
056	221323-5	SPIRAL BEVEL GEAR 58	1	
057	961057-5	RETAINING RING S-17	1	
058	322465-9	SPINDLE LOCK BUSH	1	
059	253214-2	FLAT WASHER 9	1	
060	211058-6	BALL BEARING 629LB	1	
061	181908-8	HANDLE SET	1	
400	152492-0	GRIP 36 COMPLETE	1	
402	782407-9	LOCK NUT WRENCH 35	1	
403	783204-6	HEX. WRENCH 6	1	
901	781014-5	WRENCH 17	1	

---