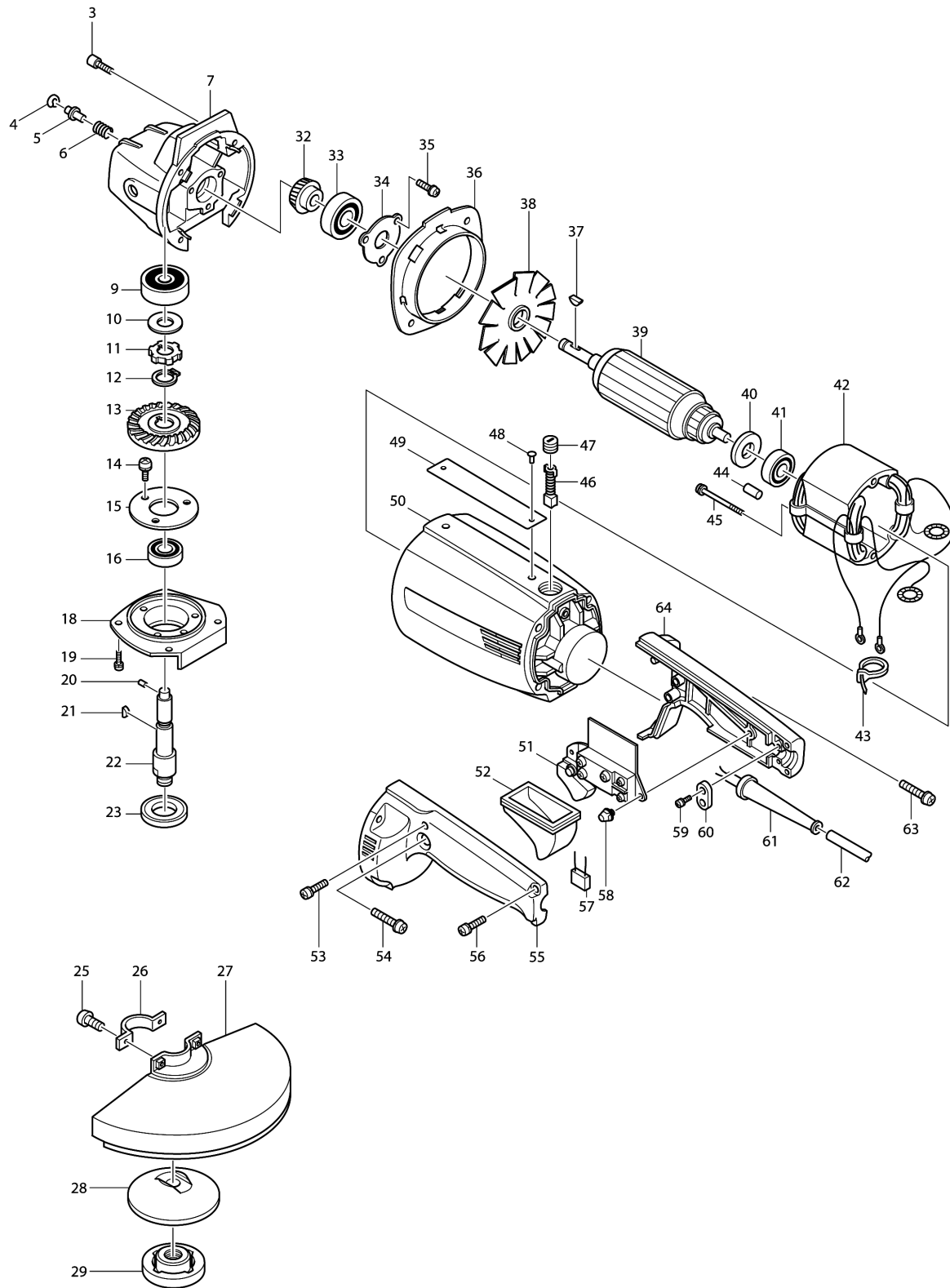


### Model No.9607B DISC GRINDER 180MM





## Model No.9607B DISC GRINDER 180MM

Item	Parts No.	Description	I/C	Qty	New/Old	Sales	Purch.	Note
003	911241-2	PAN HEAD SCREW M5X25		4				
004	962062-5	RETAINING RING R-12		1				
005	256615-3	PIN 6		1				
006	231037-8	COMPRESSION SPRING 7		1				
007	156426-5	GEAR HOUSING		1				
C10	257056-6	RING 6		1				
009	211058-6	BALL BEARING 629LB		1				
010	253214-2	FLAT WASHER 9		1				
011-1	322465-9	SPINDLE LOCK BUSH		1				
012	961057-5	RETAINING RING S-17		1				
013	221170-4	SPIRAL BEVEL GEAR 38		1				
014	911211-1	PAN HEAD SCREW M5X12		3				
015	285622-9	BEARING RETAINER 48		1				
016	211256-2	BALL BEARING 6203LLB		1				
018-1	312787-5	BEARING BOX		1				
019	911226-8	PAN HEAD SCREW M5X18		4				
020	256047-4	PIN 6		1				
021	254001-2	WOODRUFF KEY 4		1				
022C1	321218-3	SPINDLE		1				
023	213357-2	DUST SEAL 25		1				
025A3	251365-5	PAN HEAD SCREW M6X25		1				
026-1	342555-2	WHEEL COVER HOLDER		1				
027C3	164825-7	WHEEL COVER 180		1				
028C6	224298-7	INNER FLANGE 42		1	*			
028C7	224415-9	INNER FLANGE 42	<	1				
029C4	224543-0	LOCK NUT 14-45		1				
032	221169-9	SPIRAL BEVEL GEAR 15		1				
033	211106-1	BALL BEARING 6201LLB		1				
034	285641-5	BEARING RETAINER 40		1				
035	911216-1	PAN HEAD SCREW M5X14		3				
036	343304-0	BAFFLE PLATE		1				
037	254001-2	WOODRUFF KEY 4		1				
038	241311-6	FAN 92		1				
039B1	514927-3	ARMATURE ASS'Y 200/220V		1				
D10		INC. 38,40,41						
040-1	681623-9	INSULATION WASHER		1				
041	211068-3	BALL BEARING 6200LB		1				
042C_	524315-6	FIELD ASS'Y 220V		1				
043	687010-0	BAND		1				
044	263002-9	RUBBER PIN 4		1				
045-1	911938-3	PAN HEAD SCREW M5X85		2				
046-1	181044-0	CARBON BRUSH CB-153		1				

Please order the parts with part number.

Print Date 18/6/2019

## Model No.9607B DISC GRINDER 180MM

Item	Parts No.	Description	I/C	Qty	New/Old	Sales	Purch.	Note
047	643650-4	BRUSH HOLDER CAP 6.5-13.5		2	*			
047-1	643650-4	BRUSH HOLDER CAP 6.5-13.5	O	2				
048	953106-2	RIVET 0-5		2				
049	811789-3	NAME PLATE 9607B		1				
050-1	156529-5	MOTOR HOUSING		1				
051A_	651018-0	SWITCH HPAHR2-3S		1	*			
052-1	421279-4	DUST COVER F/AC/DC SWITCH		1				
053-1	911148-2	PAN HEAD SCREW M4X25		1				
054	911353-1	PAN HEAD SCREW M6X30		2				
055	181152-7	HANDLE SET		1				
D10		INC. 64						
056	911148-2	PAN HEAD SCREW M4X25		2				
057A_	645251-4	NOISE SUPPRESSOR		1	*			
057A1	645173-8	NOISE SUPPRESSOR	O	1				
058	911103-4	PAN HEAD SCREW M4X6		1				
059	911131-9	PAN HEAD SCREW M4X18		2	*			
059-1	911133-5	PAN HEAD SCREW M4X18		2				
060A_	687001-1	STRAIN RELIEF		1				
061	682505-8	CORD GUARD 10-90		1				
062U_	666066-6	POWER SUPPLY CORD 1.0-2-2.5		1				
063	911353-1	PAN HEAD SCREW M6X30		2				
064	181152-7	HANDLE SET		1				
D10		INC. 55						
400	794002-3	GRINDING WHEEL SET 180		1	*			
400A_	794020-1	DEPRESSED CENTER WHEEL SET 180		1				
401-1	152492-0	GRIP 36 COMPLETE		1				
401A1	273480-5	GRIP 37		1	*			
402-2	782412-6	LOCK NUT WRENCH 28		1				
402A_	782407-9	LOCK NUT WRENCH 35		1				
403	783203-8	HEX. WRENCH 5		1	*			
900	817632-4	CAUTION LABEL		1				
901	931302-2	HEX. NUT M6		1	*			
902-2	224256-3	OUTER FLANGE 78		1				
903-1	224255-5	INNER FLANGE 78		1				
904	781014-5	WRENCH 17		1				
906	224127-4	INNER FLANGE 90		1	*			
907-1	818638-5	LABEL		1	*			
908	817823-7	CAUTION LABEL		1	*			
909-2	224257-1	INNER FLANGE 78		1				
910	224305-6	OUTER FLANGE 78		1				

Please order the parts with part number.

Print Date 18/6/2019