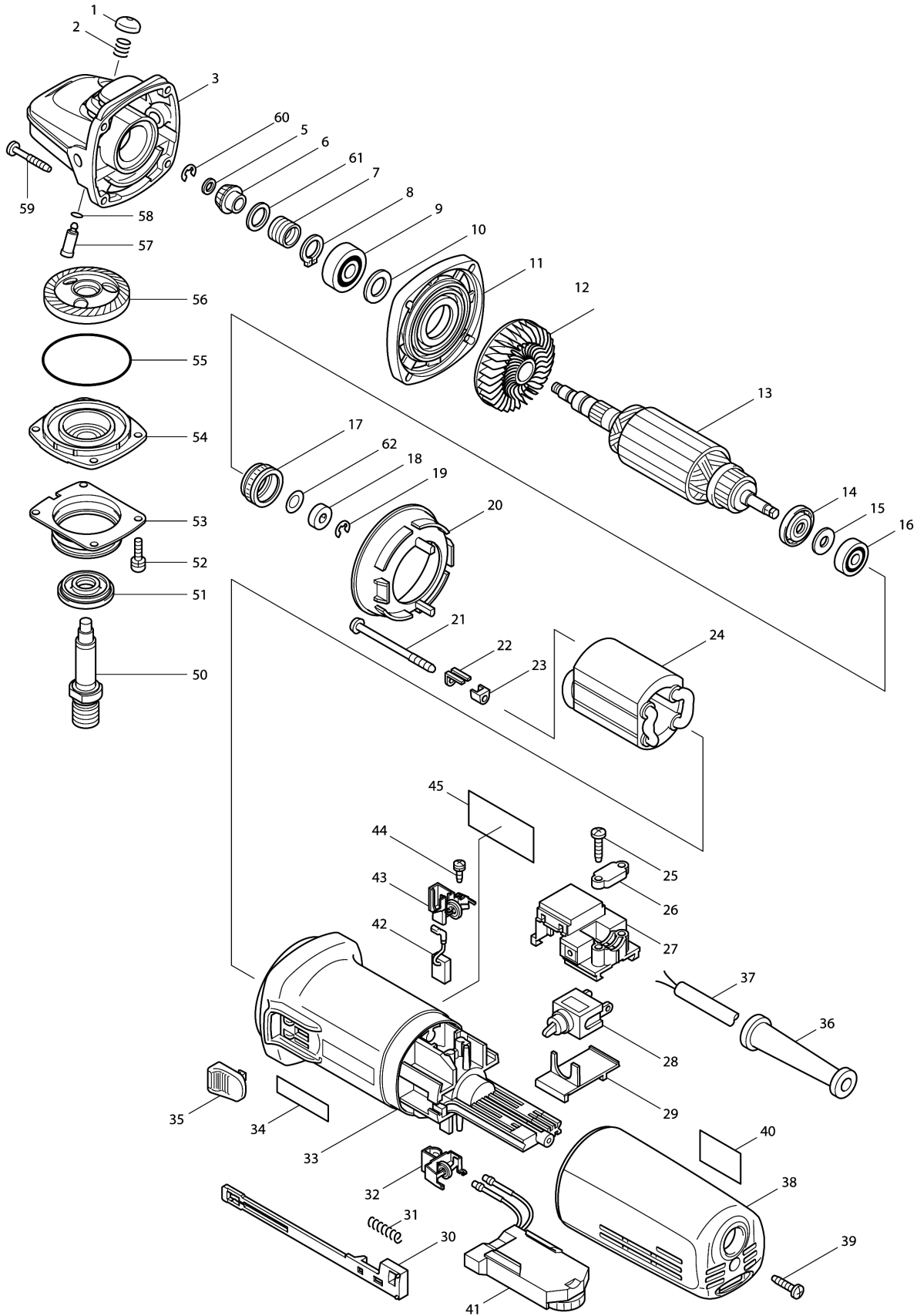


Model No.9565CVL 125MM ANGLE GRINDER



Model No.9565CVL 125MM ANGLE GRINDER

Item	Parts No.	Description	I/C	Qty	New/Old	Opt. 1	Opt. 2	Note
001	417236-8	PIN CAP		1	*			
001-1	418067-8	PIN CAP	S	1				
002	233072-2	COMPRESSION SPRING 8		1				
003	151991-9	GEAR HOUSING COMPLETE		1	*			
003-1	153381-2	GEAR HOUSING COMPLETE	<	1	*			
003-2	153718-3	GEAR HOUSING COMPLETE	O	1	*			
003-3	153488-4	GEAR HOUSING COMPLETE	S	1				
005	267034-8	FLAT WASHER 5		1				
006	226796-7	SPIRAL BEVEL GEAR 7		1				
007	233901-9	LOCK SPRING 12		1				
008	961052-5	RETAINING RING S-12		1				
009	211142-7	BALL BEARING 6001LLB		1				
010	253084-9	FLAT WASHER 12		1				
011	317359-1	GEAR HOUSING COVER		1				
012	240033-5	FAN 57		1				
013	515173-1	ARMATURE ASS'Y 220-240V		1	*			
D10		INC. 12,14-16			*			
013-1	515238-9	ARMATURE ASS'Y 220-240V	S	1				
D10		INC. 12,14-16						
014	681656-4	INSULATION WASHER		1				
015	253823-7	FLAT WASHER 7		1				
016	210027-4	BALL BEARING 627DDW		1				
017	421738-8	LABYRINTH RUBBER RING 22		1				
018	688117-5	MAGNET SLEEVE		1				
019	961011-9	STOP RING E-4		1	*			
019-1	259039-2	SELF LOCK 6	S	1				
020	413076-2	BAFFLE PLATE		1				
021	266258-3	TAPPING SCREW 4X70		2				
022	344871-8	RETAINER		2				
023	417237-6	INSULATION COVER		2				
024	626503-2	FIELD 220-240V		1				
025	265995-6	TAPPING SCREW 4X18		2				
026A	687052-4	STRAIN RELIEF		1	*			
026A1	687124-5	STRAIN RELIEF	O	1				
027	632945-0	SWITCH BLOCK		1	*			
027-1	632945-0	SWITCH BLOCK	O	1				
028	651418-4	SWITCH ST115A-40		1				
029	687113-0	COVER		1				
030	417186-7	SWITCH LEVER		1				
031	233071-4	COMPRESSION SPRING 4		1				
032-1	643760-7	BRUSH HOLDER		1				
033	417182-5	MOTOR HOUSING		1	*			

Please order the parts with part number.

Print Date 25/3/2020

Model No.9565CVL 125MM ANGLE GRINDER

Item	Parts No.	Description	I/C	Qty	New/Old	Opt. 1	Opt. 2	Note
033-1	183407-6	MOTOR HOUSING	S	1	*			
D10		INC. 34			*			
033-2	183740-6	MOTOR HOUSING	O	1	*			
D10		INC. 34			*			
033-3	418512-3	MOTOR HOUSING	<	1	*			
033-4	451278-2	MOTOR HOUSING	<	1	*			
033-5	453276-2	MOTOR HOUSING	<	1				
034	819080-3	MAKITA LABEL		1	*			
035	417188-3	SWITCH KNOB		1	*			
035-1	417813-6	SWITCH KNOB	<	1				
036	682559-5	CORD GUARD 8		1				
037D_	665394-6	POWER SUPPLY CORD 1.0-2-2.5		1				
038	417185-9	REAR COVER		1				
039	265995-6	TAPPING SCREW 4X18		1				
040	816799-5	INDICATION LABEL		1	*			
040-1	816505-8	INDICATION LABEL	X	1				
041	631384-1	CONTROLLER		1				
042	191974-7	A.C. CARBON BRUSH CB-310		1	*			
042-1	191978-9	A.C. CARBON BRUSH CB-318	X	1				
043-1	643760-7	BRUSH HOLDER		1				
044	266256-7	TAPPING SCREW PT3X10		4				
045	852405-8	NAME PLATE 9565CVL		1	*			
045-1	864371-7	9565CVL NAME PLATE	<	1	*			
045-2	864371-7	9565CVL NAME PLATE	<	1				
050	324035-0	SPINDLE		1	*			
050-1	324035-0	SPINDLE	O	1				
051	415300-9	LABYRINTH RING		1				
052	266260-6	HEX. SOCKET HEAD BOLT M4X16		4	*			
052-1	265490-6	HEX. SOCKET HEAD BOLT M4X16	<	4				
053	344872-6	WHEEL COVER BASE		1	*			
054	151927-8	BEARING BOX COMPLETE		1	*			
054-1	317570-5	BEARING BOX	S	1	*			
054-2	318302-3	BEARING BOX	<	1	*			
054-3	318334-0	BEARING BOX	S	1				
055	213673-2	O RING 52		1				
056	226797-5	SPIRAL BEVEL GEAR 37		1				
057	256459-1	PIN		1				
058	213048-5	O RING 6		1				
059	266257-5	TAPPING SCREW 4X28		4				
060-1	961008-8	RETAINING RING S-5		1				
061	253052-2	FLAT WASHER 12		1				

Please order the parts with part number.

Print Date 25/3/2020

Model No.9565CVL 125MM ANGLE GRINDER

Item	Parts No.	Description	I/C	Qty	New/Old	Opt. 1	Opt. 2	Note
062	267756-0	WAVE WASHER 6		1				
063	285841-7	BEARING RETAINER		1				
064	211129-9	BALL BEARING 6201DDW		1				
065	819329-1	CLEAR LABEL		1	*			
065-1	805W65-3	CLEAR LABEL	O	1	*			
A01	152490-4	GRIP 36 COMPLETE		1	*			
A01-1	153489-2	GRIP 36 COMPLETE	O	1				
A02	165055-3	WHEEL COVER		1	*			
A02-1	122887-1	WHEEL COVER 125K ASSY	S	1	*			
C10	213009-5	O RING 4		1	*			
C20	265180-1	PAN HEAD SCREW M5X16		1	*			
A02-2	123099-9	WHEEL COVER 125AK ASSEMBLY	<	1				
C10	213009-5	O RING 4		1				
C20	265180-1	PAN HEAD SCREW M5X16		1				
A03	224298-7	INNER FLANGE 42		1	*			
A03-1	224415-9	INNER FLANGE 42	<	1				
A04	224554-5	LOCK NUT 14-45		1				
A05	251391-4	PAN HEAD SCREW M5X16		1	*			
A06	265083-9	+ FLAT HEAD SCREW M8X11		2				
A07	417322-5	HEAD COVER		1	*			
A07-1	417322-5	HEAD COVER	<	1				
A08	782407-9	LOCK NUT WRENCH 35		1	*			
A08-1	782423-1	LOCK NUT WRENCH 35	O	1				
A09	743060-6	PAD 115		1	*			
A09-1	743060-6	PAD 115	O	1				
A10	794599-2	ABRASIVE DISC 125 #60		1	*			

Please order the parts with part number.

Print Date 25/3/2020