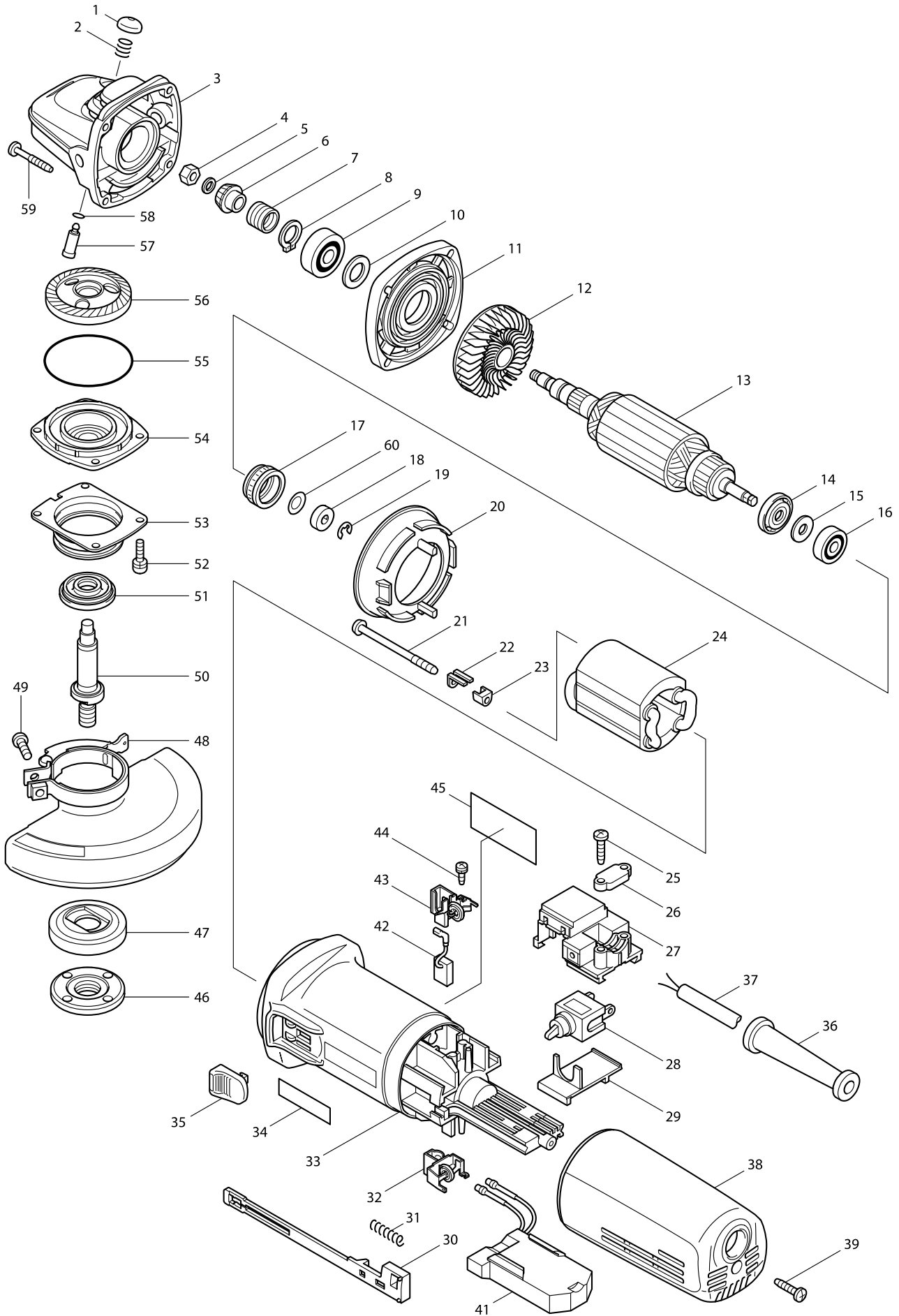


Model No. 9565C 125MM ANGLE GRINDER



Model No. 9565C 125MM ANGLE GRINDER

| Item | Parts No. | Description | I/C | Qty | N/O | Opt. 1 | Opt. 2 | Note |
|-------|-----------|--------------------------|-----|-----|-----|--------|--------|------|
| 001 | 417236-8 | PIN CAP | | 1 | * | | | |
| 001-1 | 418067-8 | PIN CAP | S | 1 | | | | |
| 002 | 233072-2 | COMPRESSION SPRING 8 | | 1 | | | | |
| 003 | 151991-9 | GEAR HOUSING COMPLETE | | 1 | * | | | |
| 003-1 | 153381-2 | GEAR HOUSING COMPLETE | < | 1 | * | | | |
| 003-2 | 153718-3 | GEAR HOUSING COMPLETE | O | 1 | * | | | |
| 003-3 | 153488-4 | GEAR HOUSING COMPLETE | S | 1 | | | | |
| 004 | 931303-0 | HEX. NUT M6 | | 1 | | | | |
| 005 | 253077-6 | FLAT WASHER 6 | | 1 | | | | |
| 006 | 226794-1 | SPIRAL BEVEL GEAR 11 | | 1 | * | | | |
| 006-1 | 227513-8 | SPIRAL BEVEL GEAR 11 | S | 1 | | | | |
| 007 | 233901-9 | LOCK SPRING 12 | | 1 | | | | |
| 008 | 961052-5 | RETAINING RING S-12 | | 1 | | | | |
| 009 | 211142-7 | BALL BEARING 6001LLB | | 1 | | | | |
| 010 | 253084-9 | FLAT WASHER 12 | | 1 | | | | |
| 011 | 317359-1 | GEAR HOUSING COVER | | 1 | | | | |
| 012 | 240033-5 | FAN 57 | | 1 | | | | |
| 013 | 515168-4 | ARMATURE ASS'Y 220-240V | | 1 | * | | | |
| D10 | | INC. 12,14-16 | | | * | | | |
| 013-1 | 515228-2 | ARMATURE ASS'Y 220-240V | S | 1 | | | | |
| D10 | | INC. 12,14-16 | | | | | | |
| 014 | 681656-4 | INSULATION WASHER | | 1 | | | | |
| 015 | 253823-7 | FLAT WASHER 7 | | 1 | | | | |
| 016 | 210027-4 | BALL BEARING 627DDW | | 1 | | | | |
| 017 | 421738-8 | LABYRINTH RUBBER RING 22 | | 1 | | | | |
| 018 | 688117-5 | MAGNET SLEEVE | | 1 | | | | |
| 019 | 961011-9 | STOP RING E-4 | | 1 | * | | | |
| 019-1 | 259039-2 | SELF LOCK 6 | S | 1 | | | | |
| 020 | 413076-2 | BAFFLE PLATE | | 1 | | | | |
| 021 | 266258-3 | TAPPING SCREW 4X70 | | 2 | | | | |
| 022 | 344871-8 | RETAINER | | 2 | | | | |
| 023 | 417237-6 | INSULATION COVER | | 2 | | | | |
| 024 | 626503-2 | FIELD 220-240V | | 1 | | | | |
| 025 | 265995-6 | TAPPING SCREW 4X18 | | 2 | | | | |
| 026A_ | 687052-4 | STRAIN RELIEF | | 1 | * | | | |
| 026A1 | 687124-5 | STRAIN RELIEF | O | 1 | | | | |
| 027 | 632945-0 | SWITCH BLOCK | | 1 | | | | |
| 028 | 651418-4 | SWITCH ST115A-40 | | 1 | | | | |
| 029 | 687113-0 | COVER | | 1 | | | | |
| 030 | 417186-7 | SWITCH LEVER | | 1 | | | | |
| 031 | 233071-4 | COMPRESSION SPRING 4 | | 1 | | | | |
| 032-1 | 643760-7 | BRUSH HOLDER | | 1 | | | | |
| 033 | 417182-5 | MOTOR HOUSING | | 1 | * | | | |
| 033-1 | 183407-6 | MOTOR HOUSING | S | 1 | * | | | |
| D10 | | INC. 34 | | | * | | | |
| 033-2 | 183740-6 | MOTOR HOUSING | O | 1 | * | | | |
| D10 | | INC. 34 | | | * | | | |
| 033-3 | 418512-3 | MOTOR HOUSING | < | 1 | * | | | |

Model No. 9565C 125MM ANGLE GRINDER

| Item | Parts No. | Description | I/C | Qty | N/O | Opt. 1 | Opt. 2 | Note |
|-------|-----------|---------------------------------|-----|-----|-----|--------|--------|------|
| 033-4 | 451278-2 | MOTOR HOUSING | < | 1 | * | | | |
| 033-5 | 453276-2 | MOTOR HOUSING | < | 1 | | | | |
| 034 | 819080-3 | MAKITA LABEL | | 1 | * | | | |
| 035 | 417188-3 | SWITCH KNOB | | 1 | * | | | |
| 035-1 | 417813-6 | SWITCH KNOB | < | 1 | | | | |
| 036 | 682559-5 | CORD GUARD 8 | | 1 | | | | |
| 037D_ | 665394-6 | POWER SUPPLY CORD 1.0-2-2.5 | | 1 | | | | |
| 038 | 417183-3 | REAR COVER | | 1 | | | | |
| 039 | 265995-6 | TAPPING SCREW 4X18 | | 1 | | | | |
| 041 | 631382-5 | CONTROLLER | | 1 | | | | |
| 042 | 191974-7 | A.C. CARBON BRUSH CB-310 | | 1 | * | | | |
| 042-1 | 191978-9 | A.C. CARBON BRUSH CB-318 | X | 1 | | | | |
| 043-1 | 643760-7 | BRUSH HOLDER | | 1 | | | | |
| 044 | 266256-7 | TAPPING SCREW PT3X10 | | 4 | | | | |
| 045 | 852397-1 | NAME PLATE 9565C | | 1 | | | | |
| 046 | 224554-5 | LOCK NUT 14-45 | | 1 | | | | |
| 047 | 122444-5 | INNER FLANGE 47 ASS'Y | | 1 | | | | |
| 048 | 163415-3 | WHEEL COVER | | 1 | * | | | |
| 048-1 | 163415-3 | WHEEL COVER | O | 1 | * | | | |
| 048-2 | 135108-2 | TOOLLESS WHEEL COVER 125 ASS'Y | < | 1 | * | | | |
| D10 | | INC. 49 | | | * | | | |
| 048-3 | 122895-2 | TOOLLESS WHEEL COVER 125K ASS'Y | S | 1 | * | | | |
| C10 | 213009-5 | O RING 4 | | 1 | * | | | |
| D10 | | INC. 49 | | | * | | | |
| 048-4 | 123145-8 | TOOLLESS WHEELCOVER 125AK ASS'Y | < | 1 | | | | |
| C10 | 213009-5 | O RING 4 | | 1 | | | | |
| D10 | | INC. 49 | | | | | | |
| 049 | 251391-4 | PAN HEAD SCREW M5X16 | | 1 | * | | | |
| 049-1 | 265180-1 | PAN HEAD SCREW M5X16 | < | 1 | | | | |
| 050 | 324035-0 | SPINDLE | | 1 | * | | | |
| 050-1 | 324035-0 | SPINDLE | O | 1 | | | | |
| 051 | 415300-9 | LABYRINTH RING | | 1 | | | | |
| 052 | 266260-6 | HEX. SOCKET HEAD BOLT M4X16 | | 4 | * | | | |
| 052-1 | 265490-6 | HEX. SOCKET HEAD BOLT M4X16 | < | 4 | | | | |
| 053 | 344872-6 | WHEEL COVER BASE | | 1 | * | | | |
| 054 | 151927-8 | BEARING BOX COMPLETE | | 1 | * | | | |
| 054-1 | 317570-5 | BEARING BOX | S | 1 | * | | | |
| 054-2 | 318302-3 | BEARING BOX | < | 1 | * | | | |
| 054-3 | 318334-0 | BEARING BOX | S | 1 | | | | |
| 055 | 213673-2 | O RING 52 | | 1 | | | | |
| 056 | 226795-9 | SPIRAL BEVEL GEAR 38 | | 1 | * | | | |
| 056-1 | 227514-6 | SPIRAL BEVEL GEAR 38 | S | 1 | | | | |
| 057 | 256459-1 | PIN | | 1 | | | | |
| 058 | 213048-5 | O RING 6 | | 1 | | | | |
| 059 | 266257-5 | TAPPING SCREW 4X28 | | 4 | | | | |
| 060 | 267756-0 | WAVE WASHER 6 | | 1 | | | | |
| 063 | 285841-7 | BEARING RETAINER | | 1 | | | | |
| 064 | 211129-9 | BALL BEARING 6201DDW | | 1 | | | | |

