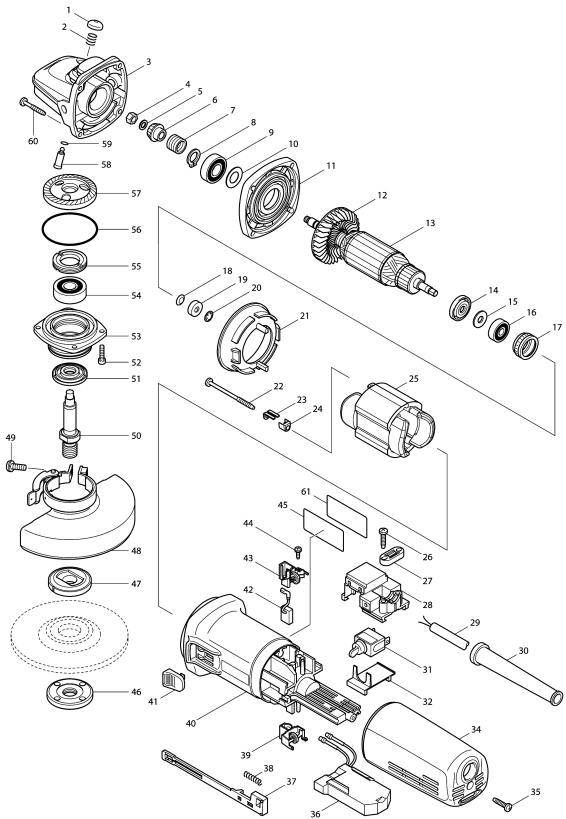


Model No.9561CR 115MM ANGLE GRINDER



Model No.9561CR 115MM ANGLE GRINDER

Item	Parts No.	Description	I/C	Qty	New/Old	Opt. 1	Opt. 2	Note
001	418067-8	PIN CAP		1				
002	233072-2	COMPRESSION SPRING 8		1				
003	153488-4	GEAR HOUSING COMPLETE		1				
004	931303-0	HEX. NUT M6		1				
005	253077-6	FLAT WASHER 6		1				
006	226794-1	SPIRAL BEVEL GEAR 11		1	*			
006-1	227513-8	SPIRAL BEVEL GEAR 11	S	1				
007	233901-9	LOCK SPRING 12		1				
008	961052-5	RETAINING RING S-12		1				
009	211142-7	BALL BEARING 6001LLB		1				
010	253084-9	FLAT WASHER 12		1				
011	317359-1	GEAR HOUSING COVER		1				
012	240033-5	FAN 57		1				
013	515243-6	ARMATURE ASS'Y 220-240V		1				
D10		INC. 12,14-16						
014	681656-4	INSULATION WASHER		1				
015	253823-7	FLAT WASHER 7		1				
016	210027-4	BALL BEARING 627DDW		1				
017	421738-8	LABYRINTH RUBBER RING 22		1				
018	267756-0	WAVE WASHER 6		1				
019	688117-5	MAGNET SLEEVE		1				
020	259039-2	SELF LOCK 6		1				
021	413076-2	BAFFLE PLATE		1				
022	266259-1	TAPPING SCREW 4X60		2				
023	344871-8	RETAINER		2				
024	417237-6	INSULATION COVER		2				
025	626568-4	FIELD 220-240V		1				
026	265995-6	TAPPING SCREW 4X18		2				
027	687052-4	STRAIN RELIEF		1	*			
027-1	687124-5	STRAIN RELIEF	O	1				
028	638635-3	SWITCH BLOCK		1				
029	665394-6	POWER SUPPLY CORD 1.0-2-2.5		1				
030	682559-5	CORD GUARD 8		1				
031	651418-4	SWITCH ST115A-40		1				
032	687113-0	COVER		1				
034	417185-9	REAR COVER		1				
035	265995-6	TAPPING SCREW 4X18		1				
036	631839-6	CONTROLLER		1				
037	417187-5	SWITCH LEVER		1				
038	233071-4	COMPRESSION SPRING 4		1				
039	643760-7	BRUSH HOLDER		1				
040	417812-8	MOTOR HOUSING		1	*			

Please order the parts with part number.

Print Date 20/9/2020

Model No.9561CR 115MM ANGLE GRINDER

Item	Parts No.	Description	I/C	Qty	New/Old	Opt. 1	Opt. 2	Note
040-1	451779-0	MOTOR HOUSING	<	1	*			
040-2	453294-0	MOTOR HOUSING	<	1				
041	417813-6	SWITCH KNOB		1				
042	191978-9	A.C. CARBON BRUSH CB-318		1				
043	643760-7	BRUSH HOLDER		1				
044	266256-7	TAPPING SCREW PT3X10		4				
045	866171-1	9561CR NAME PLATE		1				
046	224554-5	LOCK NUT 14-45		1				
047	224415-9	INNER FLANGE 42		1				
048	135107-4	TOOLLESS WHEEL COVER 115 ASS'Y		1	*			
D10		INC. 49			*			
048-1	122894-4	TOOLLESS WHEEL COVER 115K ASS'Y	S	1	*			
C10	213009-5	O RING 4		1	*			
D10		INC. 49			*			
048-2	123144-0	TOOLLESS WHEELCOVER 115AK ASS'Y	<	1				
C10	213009-5	O RING 4		1				
D10		INC. 49						
049	251391-4	PAN HEAD SCREW M5X16		1	*			
049-1	265180-1	PAN HEAD SCREW M5X16	<	1				
050	324035-0	SPINDLE		1				
051	415300-9	LABYRINTH RING		1				
052	265490-6	HEX. SOCKET HEAD BOLT M4X16		4				
053	318302-3	BEARING BOX		1	*			
053-1	318334-0	BEARING BOX	S	1				
054	211129-9	BALL BEARING 6201DDW		1				
055	285841-7	BEARING RETAINER		1				
056	213673-2	O RING 52		1				
057	226795-9	SPIRAL BEVEL GEAR 38		1	*			
057-1	227514-6	SPIRAL BEVEL GEAR 38	S	1				
058	256459-1	PIN		1				
059	213048-5	O RING 6		1				
060	266257-5	TAPPING SCREW 4X28		4				
061	819329-1	CLEAR LABEL		1	*			
061-1	805W65-3	CLEAR LABEL	O	1	*			
A01	153489-2	GRIP 36 COMPLETE		1	*			
A01-1	162258-0	VIBRATION PROOF GRIP	O	1				
A02	D-18459	GRINDING WHEEL 115X6 A24R		1				
A03	782423-1	LOCK NUT WRENCH 35		1				
E01	805459-4	SAFETY INSTRUCTION LABEL		1				

Please order the parts with part number.

Print Date 20/9/2020