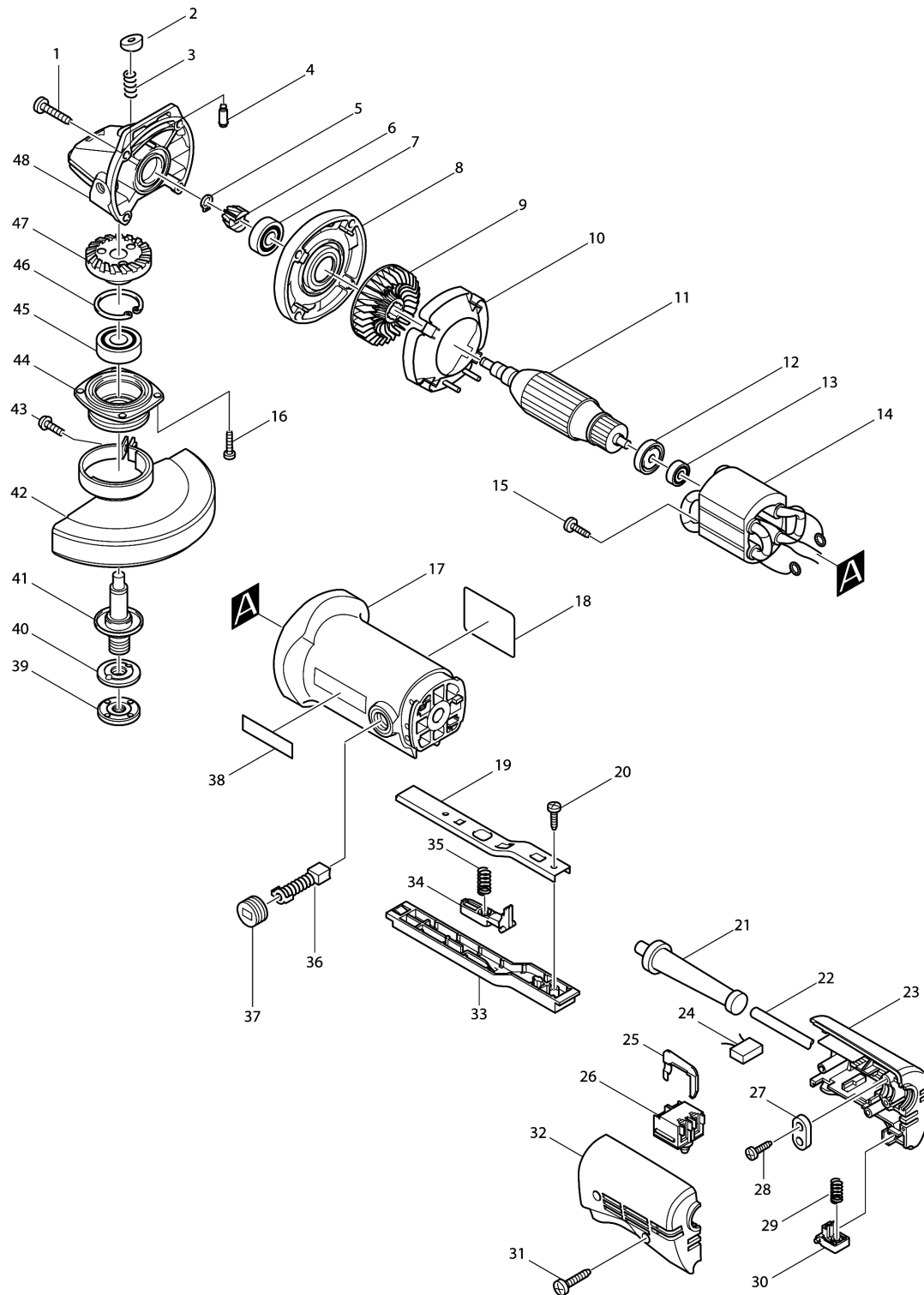


Model No.9528PB 125MM ANGLE GRINDER



Model No.9528PB 125MM ANGLE GRINDER

| Item | Parts No. | Description | I/C | Qty | New/Old | Opt. 1 | Opt. 2 | Note |
|-------|-----------|------------------------------|-----|-----|---------|--------|--------|------|
| 001-1 | 266142-2 | TAPPING SCREW FLANGE PF 5X30 | | 4 | * | | | |
| 001-2 | 266173-1 | TAPPING SCREW 5X30 | O | 4 | | | | |
| 002 | 415491-6 | PIN CAP | | 1 | | | | |
| 003 | 233072-2 | COMPRESSION SPRING 8 | | 1 | | | | |
| 004 | 256437-1 | PIN 4 | | 1 | | | | |
| 005 | 961002-0 | RETAINING RING S-6 | | 1 | | | | |
| 006 | 226735-7 | SPIRAL BEVEL GEAR 10 | | 1 | * | | | |
| 006-1 | 226748-8 | SPIRAL BEVEL GEAR 10 | X | 1 | | | | |
| 007 | 211088-7 | BALL BEARING 6000DDW | | 1 | | | | |
| 008 | 316807-7 | GEAR HOUSING COVER | | 1 | | | | |
| 009 | 241891-2 | FAN 57 | | 1 | | | | |
| 010 | 415971-2 | BAFFLE PLATE | | 1 | | | | |
| 011 | 517173-7 | ARMATURE ASS'Y 220V | | 1 | * | | | |
| D10 | | INC. 9,12,13 | | | * | | | |
| 011-1 | 517308-0 | ARMATURE ASS'Y 220V | X | 1 | | | | |
| D10 | | INC. 9,12,13 | | | | | | |
| 012 | 681638-6 | INSULATION WASHER | | 1 | | | | |
| 013 | 211012-0 | BALL BEARING 606ZZ | | 1 | | | | |
| 014 | 521628-6 | FIELD ASS'Y 220/240V | | 1 | | | | |
| C10 | 654100-4 | RING TERMINAL | | 2 | | | | |
| C21 | 654555-3 | CONNECTOR 34130 | | 2 | * | | | |
| C22 | 654501-6 | CONNECTOR P-1.25 | O | 2 | | | | |
| 015 | 266007-8 | TAPPING SCREW BIND PT 3X10 | | 2 | | | | |
| 016 | 266034-5 | TAPPING SCREW CT 4X16 | | 4 | | | | |
| 017 | 159875-5 | MOTOR HOUSING COMPLETE | | 1 | | | | |
| C10 | 643927-7 | BRUSH HOLDER | | 2 | | | | |
| 018 | 858209-6 | NAME PLATE 9528PB | | 1 | | | | |
| 019 | 344357-2 | PLATE | | 1 | | | | |
| 020 | 265954-0 | TAPPING SCREW BIND PT3X8 | | 1 | | | | |
| 021 | 682502-4 | CORD GUARD 8-85 | | 1 | | | | |
| 022A_ | 665394-6 | POWER SUPPLY CORD 1.0-2-2.5 | | 1 | | | | |
| 023 | 182825-5 | REAR COVER SET | | 1 | | | | |
| D10 | | INC. 32 | | | | | | |
| 024 | 645200-1 | NOISE SUPPRESSOR | | 1 | * | | | |
| 024-1 | 645147-9 | NOISE SUPPRESSOR | O | 1 | | | | |
| 025 | 652186-2 | DIVIDER | | 1 | | | | |
| 026 | 651947-7 | SWITCH 1247.0302 | | 1 | | | | |
| 027A_ | 687052-4 | STRAIN RELIEF | | 1 | | | | |
| 028-1 | 266121-0 | TAPPING SCREW FLANGE PF 4X18 | | 2 | * | | | |
| 028-2 | 265995-6 | TAPPING SCREW 4X18 | O | 2 | | | | |

Please order the parts with part number.

Print Date 18/6/2019

Model No.9528PB 125MM ANGLE GRINDER

| Item | Parts No. | Description | I/C | Qty | New/Old | Opt. 1 | Opt. 2 | Note |
|-------|-----------|---------------------------------|-----|-----|---------|--------|--------|------|
| 029 | 231252-4 | COMPRESSION SPRING 6 | | 1 | | | | |
| 030 | 415973-8 | LOCK-ON BUTTON | | 1 | | | | |
| 031-1 | 266119-7 | TAPPING SCREW FLANGE PF 4X25 | | 2 | * | | | |
| 031-2 | 265999-8 | TAPPING SCREW 4X25 | O | 2 | | | | |
| 032 | 182825-5 | REAR COVER SET | | 1 | | | | |
| D10 | | INC. 23 | | | | | | |
| 033 | 415972-0 | SWITCH LEVER | | 1 | | | | |
| 034 | 415974-6 | LOCK-OFF BUTTON | | 1 | | | | |
| 035 | 233127-3 | COMPRESSION SPRING 7 | | 1 | | | | |
| 036 | 191940-4 | CARBON BRUSH CB-411 | | 1 | | | | |
| 037 | 643928-5 | BRUSH HOLDER CAP | | 2 | | | | |
| 038 | 819063-3 | MAKITA LABEL | | 1 | | | | |
| 039 | 224554-5 | LOCK NUT 14-45 | | 1 | | | | |
| 040 | 224298-7 | INNER FLANGE 42 | | 1 | * | | | |
| 040-1 | 224415-9 | INNER FLANGE 42 | < | 1 | | | | |
| 041 | 152516-2 | SPINDLE COMPLETE | | 1 | * | | | |
| C10 | 344347-5 | LABYRINTH RING | | 1 | * | | | |
| 041-1 | 152522-7 | SPINDLE COMPLETE | O | 1 | | | | |
| C10 | 344347-5 | LABYRINTH RING | | 1 | | | | |
| 042 | 165055-3 | WHEEL COVER | | 1 | * | | | |
| 042-1 | 125097-9 | WHEEL COVER ASS'Y | O | 1 | | | | |
| D10 | | INC. 43 | | | | | | |
| 043 | 251391-4 | PAN HEAD SCREW M5X16 | | 1 | | | | |
| 044 | 316800-1 | BEARING BOX | | 1 | | | | |
| 045 | 211129-9 | BALL BEARING 6201DDW | | 1 | | | | |
| 046 | 962151-6 | RETAINING RING R-32 | | 1 | | | | |
| 047 | 226734-9 | SPIRAL BEVEL GEAR 36 | | 1 | * | | | |
| 047-1 | 226749-6 | SPIRAL BEVEL GEAR 36 | X | 1 | | | | |
| 048 | 159874-7 | GEAR HOUSING COMPLETE | | 1 | | | | |
| A01 | 152487-3 | GRIP 36 COMPLETE | | 1 | * | | | |
| A01-1 | 153489-2 | GRIP 36 COMPLETE | O | 1 | | | | |
| A02B | P-45761 | DIAMOND WHEEL 125MM | | 1 | | | | |
| A03 | 782407-9 | LOCK NUT WRENCH 35 | | 1 | | | | |
| B01 | 192640-9 | SPIRAL BEVEL GEAR SET | | 1 | * | | | |
| D10 | | INC. 6,47 | | | * | | | |
| B01-1 | 183915-7 | SPIRAL BEVEL GEAR SET | < | 1 | | | | |
| D10 | | INC. 6,47 | | | | | | |

Please order the parts with part number.

Print Date 18/6/2019