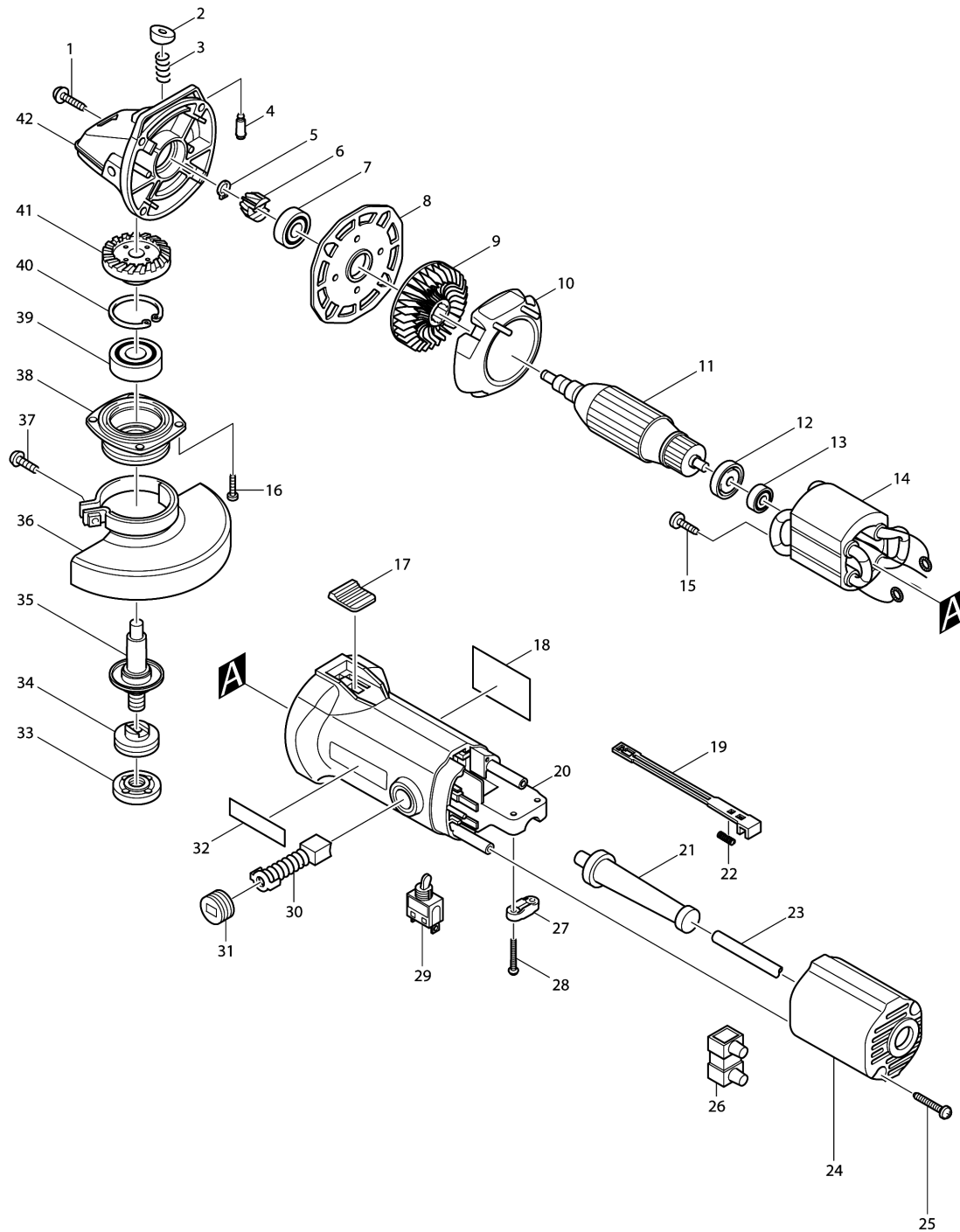


# Model No.9528NB 125MM ANGLE GRINDER





## Model No.9528NB 125MM ANGLE GRINDER

Item	Parts No.	Description	I/C	Qty	New/Old	Opt. 1	Opt. 2	Note
001	266142-2	TAPPING SCREW FLANGE PF 5X30		4	*			
001-1	266173-1	TAPPING SCREW 5X30	O	4				
002	415491-6	PIN CAP		1				
003	233072-2	COMPRESSION SPRING 8		1				
004	256437-1	PIN 4		1				
005	961002-0	RETAINING RING S-6		1				
006	226735-7	SPIRAL BEVEL GEAR 10		1	*			
006-1	226748-8	SPIRAL BEVEL GEAR 10	S	1				
007	211088-7	BALL BEARING 6000DDW		1				
008	316807-7	GEAR HOUSING COVER		1				
009	241891-2	FAN 57		1				
010	415971-2	BAFFLE PLATE		1				
011	517173-7	ARMATURE ASS'Y 220V		1	*			
D10		INC. 9,12,13			*			
011-1	517308-0	ARMATURE ASS'Y 220V	X	1				
D10		INC. 9,12,13						
012	681638-6	INSULATION WASHER		1				
013	211012-0	BALL BEARING 606ZZ		1				
014	521663-4	FIELD ASS'Y 220/240V		1	*			
C10	654100-4	RING TERMINAL		2	*			
C20	654501-6	CONNECTOR P-1.25		2	*			
014-1	521628-6	FIELD ASS'Y 220/240V	O	1				
C10	654100-4	RING TERMINAL		2				
C20	654555-3	CONNECTOR 34130		2	*			
C21	654501-6	CONNECTOR P-1.25	O	2				
015	266007-8	TAPPING SCREW BIND PT 3X10		2				
016	266034-5	TAPPING SCREW CT 4X16		4				
017	415952-6	SWITCH KNOB		1				
018	858487-8	NAME PLATE 9528NB		1				
019	415953-4	SWITCH LEVER		1	*			
019-1	417352-6	SWITCH LEVER	X	1				
020	159866-6	MOTOR HOUSING COMPLETE		1				
C10	643927-7	BRUSH HOLDER		2				
021	682502-4	CORD GUARD 8-85		1				
022	233153-2	COMPRESSION SPRING 4		1	*			
022-1	233285-5	COMPRESSION SPRING 4	X	1				
023A_	665394-6	POWER SUPPLY CORD 1.0-2-2.5		1				
024	415955-0	REAR COVER		1				
025	266121-0	TAPPING SCREW FLANGE PF 4X18		2	*			
025-1	265995-6	TAPPING SCREW 4X18	O	2				

Please order the parts with part number.

Print Date 18/6/2019

## Model No.9528NB 125MM ANGLE GRINDER

Item	Parts No.	Description	I/C	Qty	New/Old	Opt. 1	Opt. 2	Note
026	654532-5	TERMINAL BLOCK 1P		1				
027B_	687052-4	STRAIN RELIEF		1				
028	266121-0	TAPPING SCREW FLANGE PF 4X18		2	*			
028-1	265995-6	TAPPING SCREW 4X18	O	2				
029	651403-7	SWITCH ST115A-31		1	*			
029-1	651433-8	SWITCH ST115A-31	<	1				
030	191940-4	CARBON BRUSH CB-411		1				
031	643928-5	BRUSH HOLDER CAP		2				
032	819063-3	MAKITA LABEL		1				
033	224554-5	LOCK NUT 14-45		1				
034	224298-7	INNER FLANGE 42		1	*			
034-1	224415-9	INNER FLANGE 42	<	1				
035	152516-2	SPINDLE COMPLETE		1	*			
C10	344347-5	LABYRINTH RING		1	*			
035-1	152522-7	SPINDLE COMPLETE	O	1				
C10	344347-5	LABYRINTH RING		1				
036	165055-3	WHEEL COVER		1	*			
036-1	125097-9	WHEEL COVER ASS'Y	O	1				
D10		INC. 37						
037	251391-4	PAN HEAD SCREW M5X16		1				
038	316800-1	BEARING BOX		1				
039	211129-9	BALL BEARING 6201DDW		1				
040	962151-6	RETAINING RING R-32		1				
041	226734-9	SPIRAL BEVEL GEAR 36		1	*			
041-1	226749-6	SPIRAL BEVEL GEAR 36	S	1				
042	159874-7	GEAR HOUSING COMPLETE		1				
043	645200-1	NOISE SUPPRESSOR		1	*			
043-1	645147-9	NOISE SUPPRESSOR	O	1				
A01	152487-3	GRIP 36 COMPLETE		1	*			
A01-1	153489-2	GRIP 36 COMPLETE	O	1				
A02	782407-9	LOCK NUT WRENCH 35		1				
A03B	P-45761	DIAMOND WHEEL 125MM		1				
A03Y	A-80438	D.WHEEL 125X22.23		1	*			
A03-1Y	P-45761	DIAMOND WHEEL 125MM	O	1				
B01	192640-9	SPIRAL BEVEL GEAR SET		1	*			
D10		INC. 6,41			*			
B01-1	183915-7	SPIRAL BEVEL GEAR SET	<	1				
D10		INC. 6,41						
E04X	182875-0	STEEL CARRYING CASE		1	*			
C10	819033-2	MAKITA LABEL		1	*			
E04Y	182875-0	STEEL CARRYING CASE		1	*			
C10	819033-2	MAKITA LABEL		1	*			

Please order the parts with part number.

Print Date 18/6/2019

**Model No.9528NB 125MM ANGLE GRINDER**

Item	Parts No.	Description	I/C	Qty	New/Old	Opt. 1	Opt. 2	Note
E04-1X	183981-4	STEEL CASE SET	<	1				
C10	819033-2	MAKITA LABEL		1				
E04-1Y	183981-4	STEEL CASE SET	<	1				
C10	819033-2	MAKITA LABEL		1				

Please order the parts with part number.

Print Date 18/6/2019