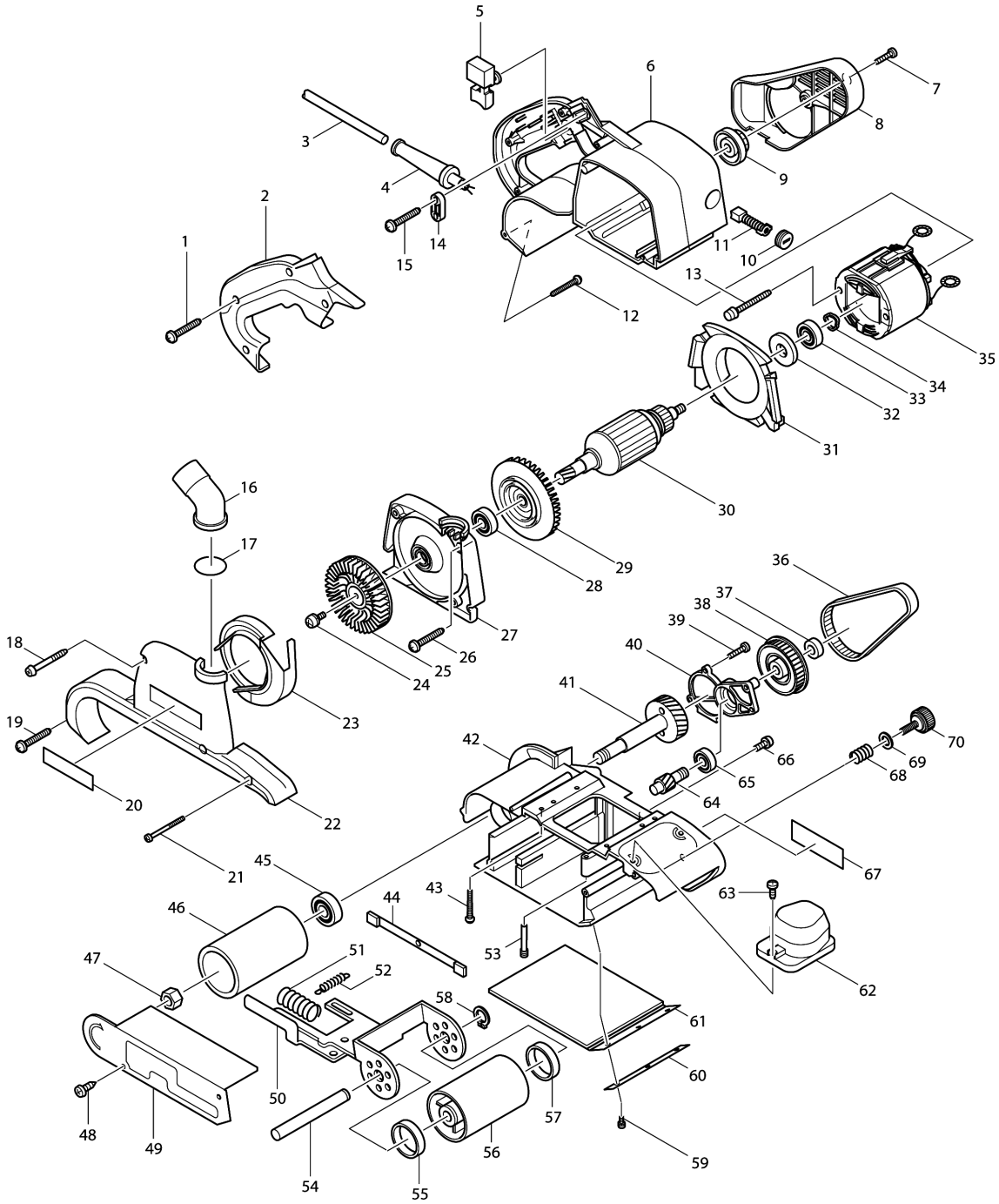


Model No.9403 BELT SANDER 100MM



Model No.9403 BELT SANDER 100MM

Item	Parts No.	Description	I/C	Qty	New/Old	Opt. 1	Opt. 2	Note
001	265995-6	TAPPING SCREW 4X18		4				
002	416496-9	HANDLE COVER		1				
003H1B	665883-1	POWER SUPPLY CORD 1.0-2-5.0		1				
003I_A	665883-1	POWER SUPPLY CORD 1.0-2-5.0		1				
004A1B	682540-6	CORD GUARD 9.3-90		1				
004B_A	682540-6	CORD GUARD 9.3-90		1				
005A	651284-9	SWITCH SGEL115CDY-6		1	*			
005-1A	650230-9	SWITCH TGL115CDT-2	O	1				
005-1B	650230-9	SWITCH TGL115CDT-2		1				
006	150981-9	MOTOR HOUSING COMPLETE		1				
C10	643708-9	BRUSH HOLDER 5-11		2				
007	266034-5	TAPPING SCREW CT 4X16		1				
008	416495-1	BELT COVER		1				
009	222147-2	PULLEY 10-24.1		1				
010	643750-0	BRUSH HOLDER CAP 7-11		2				
011	191963-2	CARBON BRUSH CB-303		1				
012	265995-6	TAPPING SCREW 4X18		1				
013	266056-5	TAPPING SCREW 5X45		2				
014-1B	687052-4	STRAIN RELIEF		1				
014C_A	687063-9	CORD CLAMP		1	*			
014C1A	687052-4	STRAIN RELIEF	X	1				
015	265995-6	TAPPING SCREW 4X18		2				
016	416497-7	DUST NOZZLE		1				
017	213415-4	O RING 28		1				
018	266069-6	TAPPING SCREW 4X45		2				
019	265995-6	TAPPING SCREW 4X18		1				
020	819064-1	MAKITA MARK		1				
021	266203-8	TAPPING SCREW BIND CT 4X40		1				
022	317018-7	DUST COLLECTOR COVER		1				
023	416494-3	SEPARATOR		1				
024	911213-7	PAN HEAD SCREW M5X12		1				
025	241662-7	FAN 80		1				
026	265995-6	TAPPING SCREW 4X18		2				
027	317021-8	DUST COLLECTOR BRACKET		1				
028	211088-7	BALL BEARING 6000DDW		1				
029	240013-1	FAN 84		1				
030B_	516783-7	ARMATURE ASS'Y 220-240V		1				
D10		INC. 28,29,32,33						
031	416498-5	BAFFLE PLATE		1				
032	681649-1	INSULATION WASHER		1				
033	211088-7	BALL BEARING 6000DDW		1				

Please order the parts with part number.

Print Date 25/3/2020

Model No.9403 BELT SANDER 100MM

Item	Parts No.	Description	I/C	Qty	New/Old	Opt. 1	Opt. 2	Note
034A	253946-1	WAVE WASHER 18		1	*			
034-1A	267715-4	WAVE WASHER 20	O	1				
034-1B	267715-4	WAVE WASHER 20		1				
035B_	596193-4	FIELD ASS'Y 220-240V		1				
C10	654020-2	RING TERMINAL		2				
C20	654502-4	CONNECTOR P-2		2				
036	225081-5	SYNCHRO BELT		1				
037	931503-2	HEX. NUT M10		1				
038	222148-0	PULLEY 11-55.6		1				
039	266034-5	TAPPING SCREW CT 4X16		3				
040	317020-0	GEAR COVER		1				
041A	153265-4	HELICAL GEAR 43 COMPLETE		1	*			
041-1A	153291-3	HELICAL GEAR 43 COMPLETE	S	1				
041-1B	153291-3	HELICAL GEAR 43 COMPLETE		1				
042	150979-6	FRAME COMPLETE		1				
043	265995-6	TAPPING SCREW 4X18		4				
044	150846-5	EDGE SLIDER COMPLETE		1				
045	211131-2	BALL BEARING 6001DDW		1				
046	162199-0	DRIVING ROLLER		1				
047	252087-0	HEX. NUT M12-19		1				
048	266026-4	TAPPING SCREW BIND CT 4X12		2				
049	344622-9	SAFETY COVER		1				
050	163398-7	TENSION ROLLER ARM		1				
051	233235-0	COMPRESSION SPRING 12		1				
052	231819-8	TENSION SPRING 4		1				
053	321980-0	SUPPORT PIN		1				
054	323829-0	TENSION ROLLER SHAFT		1				
055	253922-5	CUP WASHER 12		1				
056	150978-8	TENSION ROLLER COMPLETE		1				
C10	214116-7	PLANE BEARING 12		2				
C20	421044-1	SPONGE SHEET 42-47		1				
057	253922-5	CUP WASHER 12		1				
058	961052-5	RETAINING RING S-12		1				
059	911118-1	PAN HEAD SCREW M4X12		3				
060	344623-7	STRAP WASHER		1				
061A_	421093-8	CORK RUBBER PLATE		1				
062	416499-3	FRONT GRIP		1				
063	266034-5	TAPPING SCREW CT 4X16		2				
064A	226506-2	HELICAL GEAR 12		1	*			
064-1A	226551-7	HELICAL GEAR 12	S	1				
064-1B	226551-7	HELICAL GEAR 12		1				
065	211066-7	BALL BEARING 6200LLB		1				

Please order the parts with part number.

Print Date 25/3/2020

Model No.9403 BELT SANDER 100MM

Item	Parts No.	Description	I/C	Qty	New/Old	Opt. 1	Opt. 2	Note
066	911213-7	PAN HEAD SCREW M5X12		1				
067	859611-6	NAME PLATE 9403		1	*			
067-1	852072-9	9403 NAME PLATE	<	1				
068	231225-7	COMPRESSION SPRING 16		1				
069	253707-9	FLAT WASHER 16		1				
070	251815-0	SCREW M6X25		1				
A01	794135-4	ABRASIVE BELT 100X610 WA80		1				
A02	122562-9	DUST BAG ASS'Y		1				
A03B	821551-8	CONNECTOR PLASTIC CASE (TYPE3)		1				
C10	453974-8	LATCH		4				
A04B	837652-2	INNER TRAY		1				
A05B	800X24-8	9403J INDICATION LABEL		1				
A06B	800X25-6	9403J PLASTIC CASE LABEL		2				
E01	654575-7	TERMINAL BLOCK		1				
E02-1	645142-9	NOISE SUPPRESSOR		1				
E03	652257-5	CLAMP WASHER		2				
E09	421648-9	CARBON PLATE		1				

Please order the parts with part number.

Print Date 25/3/2020