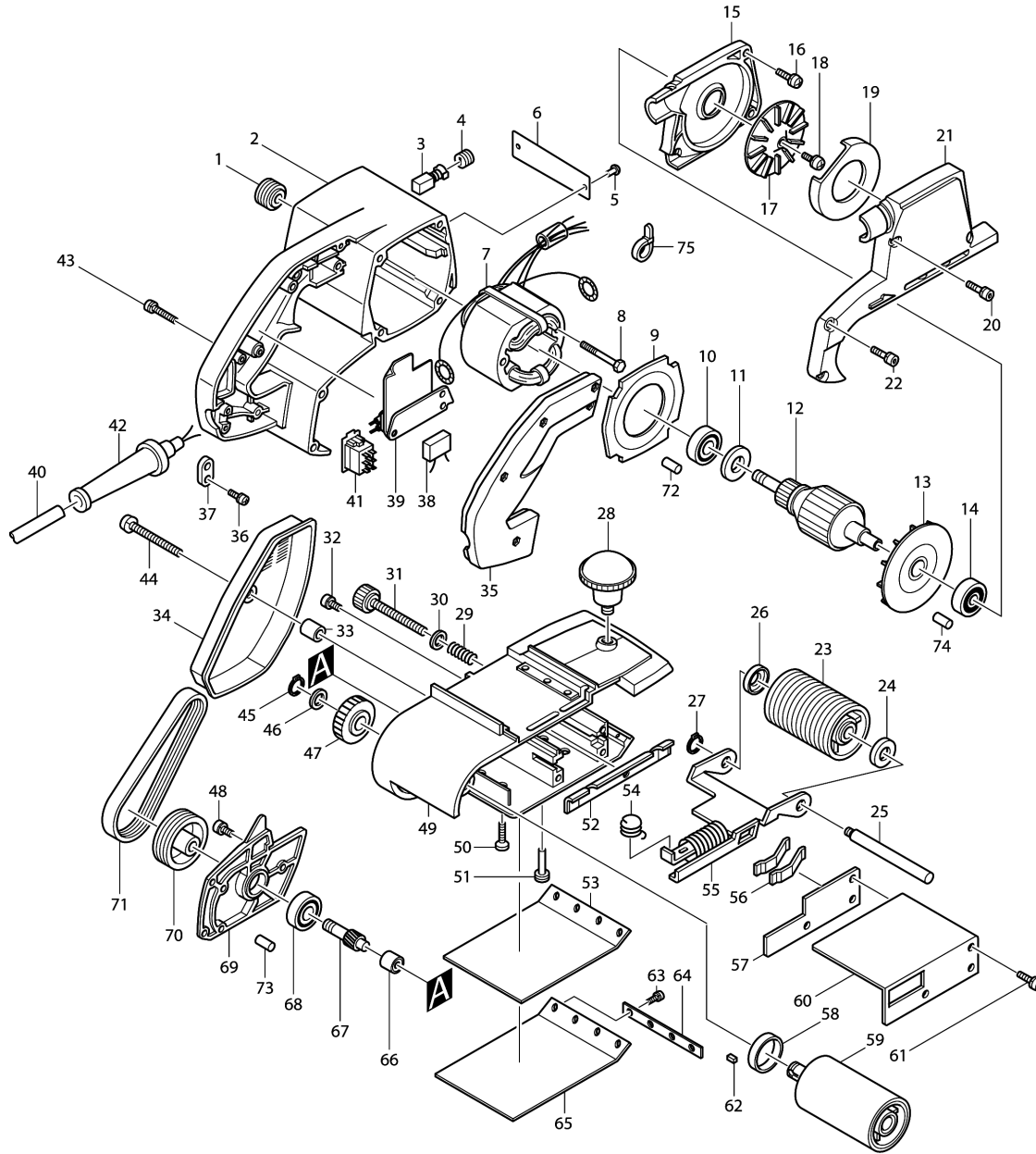


### Model No.9402 2-SPEED BELT SANDER 100MM





## Model No.9402 2-SPEED BELT SANDER 100MM

Item	Parts No.	Description	I/C	Qty	New/Old	Opt. 1	Opt. 2	Note
001-1	222012-5	V-PULLEY 6-24L		1				
002	157148-0	MOTOR HOUSING		1	*			
C10	643653-8	BRUSH HOLDER 6.5-13.5		2	*			
C11	643660-1	BRUSH HOLDER 6.5-13.5	O	2	*			
D10		INC. 72			*			
002-1	157148-0	MOTOR HOUSING	S	1				
C11	643660-1	BRUSH HOLDER 6.5-13.5	O	2				
003-1	181044-0	CARBON BRUSH CB-153		1				
004	643650-4	BRUSH HOLDER CAP 6.5-13.5		2	*			
004-1	643650-4	BRUSH HOLDER CAP 6.5-13.5	O	2				
005	953106-2	RIVET 0-5		2	*			
006	854824-4	NAME PLATE 9402		1	*			
006-1	850176-1	NAME PLATE 9402	S	1				
007C_	524723-1	FIELD ASS'Y 220V		1				
C10	654020-2	RING TERMINAL		2				
C20	654502-4	CONNECTOR P-2		2				
008-1	911270-5	PAN HEAD SCREW M5X45		2				
009	411143-7	BAFFLE PLATE		1				
010	211066-7	BALL BEARING 6200LLB		1				
011-2	681624-7	INSULATION WASHER		1	*			
011-3	681635-2	INSULATION WASHER	O	1				
012C_	514205-1	ARMATURE ASS'Y 220V		1				
D10		INC. 10,11,13,14						
013	241806-9	FAN 90		1				
014-1	211087-9	BALL BEARING 6200DDW		1				
015-1	151177-5	DUST COLLECTOR BRACKET		1				
D10		INC.74						
016	911226-8	PAN HEAD SCREW M5X18		3				
017	241611-4	FAN 74		1				
018	911211-1	PAN HEAD SCREW M5X12		1				
019	343166-6	SEPARATOR		1				
020	911241-2	PAN HEAD SCREW M5X25		2				
021-1	315772-7	DUST COLLECTOR COVER		1				
022-1	911241-2	PAN HEAD SCREW M5X25		2				
023	152103-7	TENSION ROLLER COMPLETE		1				
C10	214101-0	PLANE BEARING 12		2				
C20	421045-9	SPONGE SHEET3-50-57		1				
024	253922-5	CUP WASHER 12		1				
025	325108-2	TENSION ROLLER SHAFT		1				
026	253922-5	CUP WASHER 12		1				
027	961052-5	RETAINING RING S-12		1				
028	271207-7	KNOB 55		1				

Please order the parts with part number.

Print Date 18/6/2019

## Model No.9402 2-SPEED BELT SANDER 100MM

Item	Parts No.	Description	I/C	Qty	New/Old	Opt. 1	Opt. 2	Note
029	231110-4	COMPRESSION SPRING 9		1				
030	941202-8	FLAT WASHER 8		1				
031	251821-5	SCREW M8X72		1				
032	911221-8	PAN HEAD SCREW M5X16		1				
033	257504-5	SLEEVE 6		1				
034	343165-8	BELT COVER		1				
035	411142-9	HANDLE COVER		1				
036-1	911133-5	PAN HEAD SCREW M4X18		2				
037B_	687031-2	STRAIN RELIEF		1				
038-1	645105-5	NOISE SUPPRESSOR		1				
039	651009-1	SWITCH NPAHR2-3S		1	*			
039-1	651018-0	SWITCH HPAHR2-3S	O	1				
040L1	665883-1	POWER SUPPLY CORD 1.0-2-5.0		1				
041-1	651557-0	SWITCH SL210N-27		1				
042B_	682516-3	CORD GUARD 9.3-85		1	*			
042B1	682504-0	CORD GUARD 10-85	O	1				
043	911158-9	PAN HEAD SCREW M4X30		5				
044	911261-6	PAN HEAD SCREW M5X40		1				
045	961052-5	RETAINING RING S-12		1				
046	253312-2	THIN WASHER 12		1	*			
046-1	253312-2	THIN WASHER 12	O	4				
047	221194-0	HELICAL GEAR 42		1				
048-1	911221-8	PAN HEAD SCREW M5X16		5				
049	156226-3	FRAME		1				
C10	214101-0	PLANE BEARING 12		2				
C20	421044-1	SPONGE SHEET 42-47		1				
050	912227-9	COUNTERSUNK HEAD SCREW M5X18		6				
051	325109-0	SUPPORT PIN		1				
052-1	155885-0	EDGE SLIDER		1				
053	421093-8	CORK RUBBER PLATE		1				
054	231520-5	TORSION SPRING 18		1				
055	163039-5	TENSION ROLLER ARM		1				
056	232029-0	LEAF SPRING		2				
057	341195-3	BALANCE PLATE		1				
058	253922-5	CUP WASHER 12		1				
059A_	151346-8	DRIVING ROLLER COMPLETE		1				
060	342331-4	BASE COVER		1				
061	911226-8	PAN HEAD SCREW M5X18		3				
062	254202-2	KEY 4		1				
063	911111-5	PAN HEAD SCREW M4X10 WITH W		4				
064	341079-5	STRAP WASHER		1				

Please order the parts with part number.

Print Date 18/6/2019

## Model No.9402 2-SPEED BELT SANDER 100MM

Item	Parts No.	Description	I/C	Qty	New/Old	Opt. 1	Opt. 2	Note
065	423029-3	CARBON PLATE 100MM		1				
066	212003-4	NEEDLE BEARING 810		1				
067	221193-2	HELICAL GEAR 10		1				
068	211066-7	BALL BEARING 6200LLB		1				
069	152204-1	GEAR COVER COMPLETE		1	*			
D10		INC. 73			*			
069-1	312549-1	GEAR COVER	O	1				
070	222038-7	V-PULLEY 6-55.7		1				
071	225021-3	POLY V-BELT 6-355		1	*			
071-1	225091-2	POLY V-BELT 6-355	O	1	*			
071-2	225021-3	POLY V-BELT 6-355	<	1				
072	263002-9	RUBBER PIN 4		1	*			
073	263002-9	RUBBER PIN 4		1	*			
074	263002-9	RUBBER PIN 4		1				
075	687010-0	BAND		1				
400-1	794135-4	ABRASIVE BELT 100X610 WA80		1				
401-2	122297-2	DUST BAG ASS'Y		1				
402	342332-2	STEP		1				
403	423029-3	CARBON PLATE 100MM		1				

Please order the parts with part number.

Print Date 18/6/2019