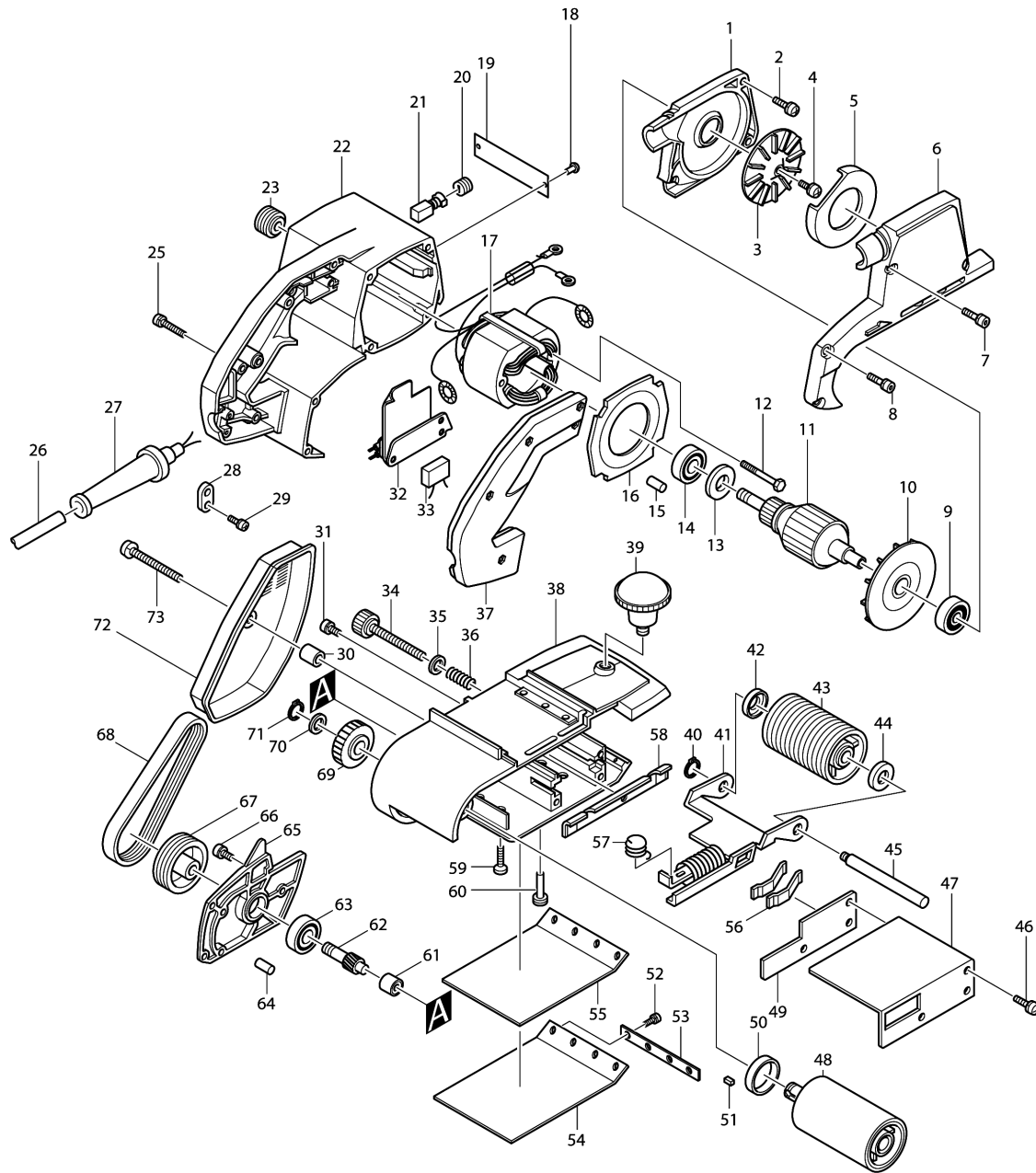


Model No.9401 BELT SANDER 100MM



Model No.9401 BELT SANDER 100MM

Item	Parts No.	Description	I/C	Qty	New/Old	Opt. 1	Opt. 2	Note
001-1	151177-5	DUST COLLECTOR BRACKET		1				
C10	263002-9	RUBBER PIN 4		1				
002	911226-8	PAN HEAD SCREW M5X18		4				
003	241611-4	FAN 74		1				
004	911211-1	PAN HEAD SCREW M5X12		1				
005	343166-6	SEPARATOR		1				
006-1	315772-7	DUST COLLECTOR COVER		1				
007	911241-2	PAN HEAD SCREW M5X25		2				
008-1	911241-2	PAN HEAD SCREW M5X25		2				
009-1	211087-9	BALL BEARING 6200DDW		1				
010	241806-9	FAN 90		1				
011C_	514205-1	ARMATURE ASS'Y 220V		1				
D10		INC. 9,10,13,14						
012-1	911270-5	PAN HEAD SCREW M5X45		2				
013-2	681624-7	INSULATION WASHER		1	*			
013-3	681635-2	INSULATION WASHER	O	1				
014	211066-7	BALL BEARING 6200LLB		1				
015	263002-9	RUBBER PIN 4		1	*			
016	411143-7	BAFFLE PLATE		1				
017C_	524205-3	FIELD ASS'Y 220V		1				
C10	654020-2	RING TERMINAL		2				
C20	654502-4	CONNECTOR P-2		2				
018	953106-2	RIVET 0-5		2	*			
019	811732-2	NAME PLATE 9401		1	*			
019-1	850166-4	NAME PLATE 9401	S	1				
020	643650-4	BRUSH HOLDER CAP 6.5-13.5		2	*			
020-1	643650-4	BRUSH HOLDER CAP 6.5-13.5	O	2				
021-1	181044-0	CARBON BRUSH CB-153		1				
022-1	156225-5	MOTOR HOUSING		1	*			
C10	643660-1	BRUSH HOLDER 6.5-13.5		2	*			
D10		INC. 15			*			
022-2	156225-5	MOTOR HOUSING	S	1				
C10	643660-1	BRUSH HOLDER 6.5-13.5		2				
023-1	222012-5	V-PULLEY 6-24L		1				
025	911158-9	PAN HEAD SCREW M4X30		5				
026O1	665883-1	POWER SUPPLY CORD 1.0-2-5.0		1				
027B_	682516-3	CORD GUARD 9.3-85		1	*			
027B1	682504-0	CORD GUARD 10-85	O	1				
028C_	687031-2	STRAIN RELIEF		1				
029-1	911133-5	PAN HEAD SCREW M4X18		2				
030	257504-5	SLEEVE 6		1				
031	911221-8	PAN HEAD SCREW M5X16		1				

Please order the parts with part number.

Print Date 18/6/2019

Model No.9401 BELT SANDER 100MM

Item	Parts No.	Description	I/C	Qty	New/Old	Opt. 1	Opt. 2	Note
032	651018-0	SWITCH HPAHR2-3S		1				
033G_	645105-5	NOISE SUPPRESSOR		1				
034	251821-5	SCREW M8X72		1				
035	941202-8	FLAT WASHER 8		1				
036	231110-4	COMPRESSION SPRING 9		1				
037-1	411142-9	HANDLE COVER		1				
038	156226-3	FRAME		1				
C10	214101-0	PLANE BEARING 12		2				
C20	421044-1	SPONGE SHEET 42-47		1				
039	271207-7	KNOB 55		1				
040	961052-5	RETAINING RING S-12		1				
041	163039-5	TENSION ROLLER ARM		1				
042	253922-5	CUP WASHER 12		1				
043	152103-7	TENSION ROLLER COMPLETE		1				
C10	214101-0	PLANE BEARING 12		2				
C20	421045-9	SPONGE SHEET3-50-57		1				
044	253922-5	CUP WASHER 12		1				
045	325108-2	TENSION ROLLER SHAFT		1				
046	911226-8	PAN HEAD SCREW M5X18		3				
047	342331-4	BASE COVER		1				
048A_	151346-8	DRIVING ROLLER COMPLETE		1				
049	341195-3	BALANCE PLATE		1				
050	253922-5	CUP WASHER 12		1				
051	254202-2	KEY 4		1				
052	911111-5	PAN HEAD SCREW M4X10 WITH W		4				
053	341079-5	STRAP WASHER		1				
054	423029-3	CARBON PLATE 100MM		1				
055	421093-8	CORK RUBBER PLATE		1				
056	232029-0	LEAF SPRING		2				
057	231520-5	TORSION SPRING 18		1				
058-1	155885-0	EDGE SLIDER		1				
059	912227-9	COUNTERSUNK HEAD SCREW M5X18		6				
060	325109-0	SUPPORT PIN		1				
061	212003-4	NEEDLE BEARING 810		1				
062	221193-2	HELICAL GEAR 10		1				
063	211066-7	BALL BEARING 6200LLB		1				
064	263002-9	RUBBER PIN 4		1	*			
065	152204-1	GEAR COVER COMPLETE		1	*			
D10		INC. 64			*			
065-1	312549-1	GEAR COVER	O	1				
066-1	911221-8	PAN HEAD SCREW M5X16		5				

Please order the parts with part number.

Print Date 18/6/2019

Model No.9401 BELT SANDER 100MM

Item	Parts No.	Description	I/C	Qty	New/Old	Opt. 1	Opt. 2	Note
067	222038-7	V-PULLEY 6-55.7		1				
068	225021-3	POLY V-BELT 6-355		1	*			
068-1	225091-2	POLY V-BELT 6-355	O	1	*			
068-2	225021-3	POLY V-BELT 6-355	<	1				
069	221194-0	HELICAL GEAR 42		1				
070	253312-2	THIN WASHER 12		2	*			
070-1	253312-2	THIN WASHER 12	O	4				
071	961052-5	RETAINING RING S-12		1				
072	343165-8	BELT COVER		1				
073	911261-6	PAN HEAD SCREW M5X40		1				
400-1	794135-4	ABRASIVE BELT 100X610 WA80		1				
401	342332-2	STEP		1				
402	423029-3	CARBON PLATE 100MM		1				
403-2	122297-2	DUST BAG ASS'Y		1				
C10	410602-8	FASTENER		1				

Please order the parts with part number.

Print Date 18/6/2019