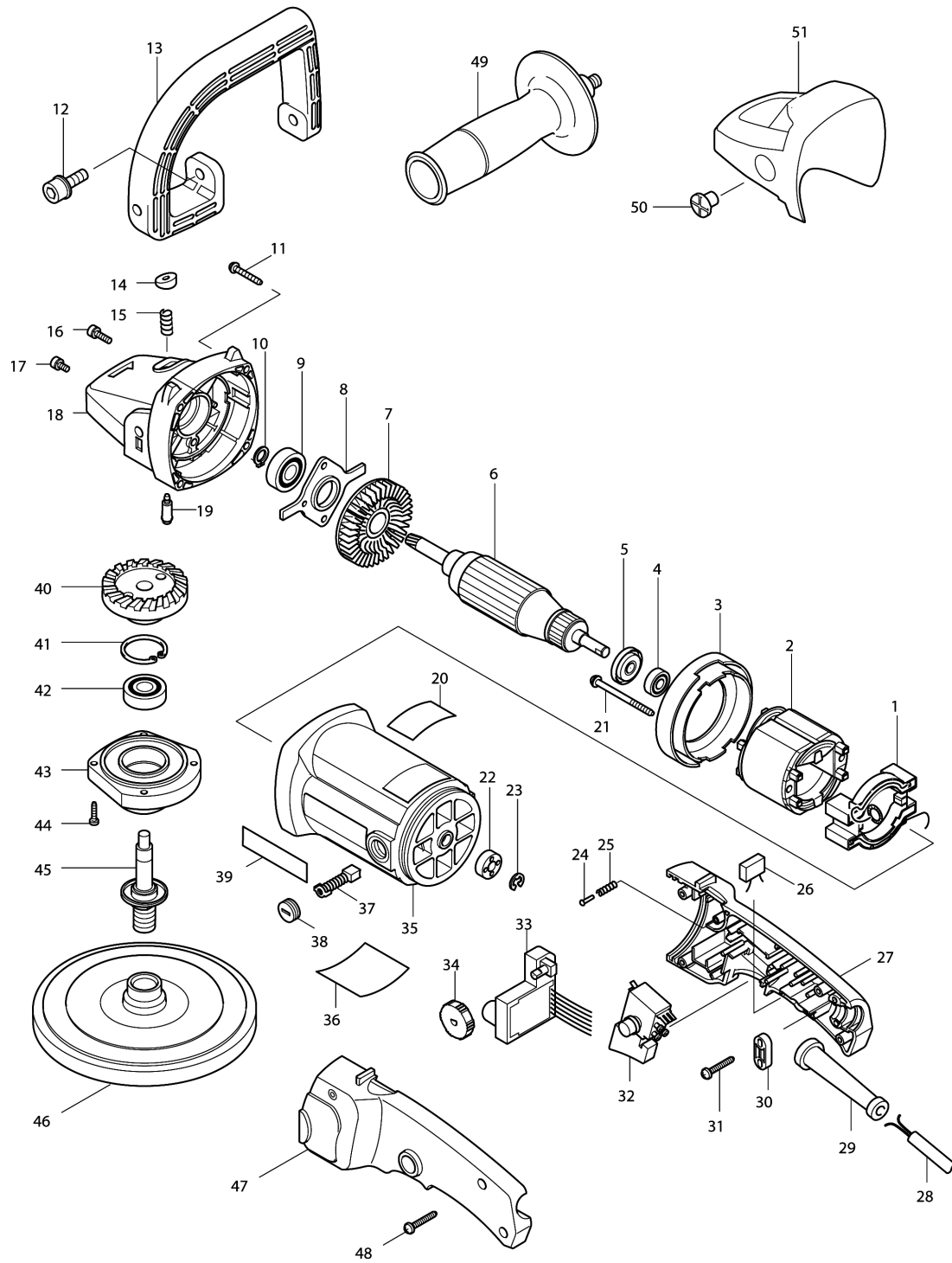


Model No.9227CB SANDER POLISHER 180MM



Model No.9227CB SANDER POLISHER 180MM

Item	Parts No.	Description	I/C	Qty	New/Old	Opt. 1	Opt. 2	Note
001	632679-5	SUPPORT COMPLETE		1	*			
001-1	539168-0	SUPPORT ASS'Y	<	1				
C10	632679-5	SUPPORT COMPLETE		1				
C20	654020-2	RING TERMINAL		1				
C30	654501-6	CONNECTOR P-1.25		1				
002	634293-3	FIELD 220/240V		1				
003	416253-5	BAFFLE PLATE		1				
004	211031-6	BALL BEARING 608LLB		1				
005	681644-1	INSULATION WASHER		1				
006	516308-7	ARMATURE ASS'Y 220/240V		1				
D10		INC. 4,5,7						
007	240002-6	FAN 70		1				
008	285687-1	BEARING RETAINER 48		1				
009	211106-1	BALL BEARING 6201LLB		1	*			
009-1	211144-3	BALL BEARING 6201LLB	O	1	*			
009-2	211106-1	BALL BEARING 6201LLB	O	1				
010	961052-5	RETAINING RING S-12		1				
011	266012-5	TAPPING SCREW 5X35		4				
012	266171-5	HEX. SOCKET HEAD BOLT M8X25		2				
013	416348-4	LOOP HANDLE		1				
014	415491-6	PIN CAP		1				
015	233072-2	COMPRESSION SPRING 8		1				
016-1	911221-8	PAN HEAD SCREW M5X16		1				
017-1	911211-1	PAN HEAD SCREW M5X12		1				
018	159951-5	GEAR HOUSING COMPLETE		1				
019	256446-0	PIN 6		1	*			
019-1	256504-2	SHOULDER PIN 9	S	1				
020	816330-7	INDICATION LABEL		1				
021	266038-7	TAPPING SCREW 5X70		2				
022	688110-9	MAGNET SLEEVE		1				
023	961012-7	STOP RING E-6		1				
024	255058-6	RIVET 2		1				
025	233002-3	COMPRESSION SPRING 3		1				
026	645200-1	NOISE SUPPRESSOR		1				
027	182917-0	HANDLE SET		1				
D10		INC. 47						
028A1	665890-4	POWER SUPPLY CORD 1.0-2- 4.0		1				
029A_	682516-3	CORD GUARD 9.3-85		1	*			
029A1	682540-6	CORD GUARD 9.3-90	<	1	*			
029A2	682505-8	CORD GUARD 10-90	O	1				
030C_	687063-9	CORD CLAMP		1	*			

Please order the parts with part number.

Print Date 18/6/2019

Model No.9227CB SANDER POLISHER 180MM

Item	Parts No.	Description	I/C	Qty	New/Old	Opt. 1	Opt. 2	Note
030C1	687052-4	STRAIN RELIEF	X	1				
031	265995-6	TAPPING SCREW 4X18		2				
032	651282-3	SWITCH		1				
033	631227-7	CONTROLLER 200-250V		1	*			
033-1	631227-7	CONTROLLER 200-250V	<	1				
034	271417-6	DIAL 28		1				
035	182918-8	MOTOR HOUSING SET		1				
C10	643708-9	BRUSH HOLDER 5-11		2				
D10		INC. 20,39						
036	858696-9	NAME PLATE 9227CB		1				
037	191963-2	CARBON BRUSH CB-303		1				
038	643750-0	BRUSH HOLDER CAP 7-11		2				
039	819001-5	MAKITA LABEL		2				
040	226744-6	SPIRAL BEVEL GEAR 52		1	*			
040-1	227512-0	SPIRAL BEVEL GEAR 52	S	1				
041	962151-6	RETAINING RING R-32		1				
042	211106-1	BALL BEARING 6201LLB		1	*			
042-1	211144-3	BALL BEARING 6201LLB	O	1	*			
042-2	211106-1	BALL BEARING 6201LLB	O	1				
043	316896-2	BEARING BOX		1				
044	266034-5	TAPPING SCREW CT 4X16		4				
045	152551-0	SPINDLE COMPLETE		1				
C10	344347-5	LABYRINTH RING		1				
046	743053-3	PAD 165		1				
047	182917-0	HANDLE SET		1				
D10		INC. 27						
048	265995-6	TAPPING SCREW 4X18		4				
A01	783204-6	HEX. WRENCH 6		1				
A02	262542-4	SLEEVE 18		1				
A03	192629-7	WOOL PAD 180		1				
E01	646077-7	CHOKE COIL		1				

Please order the parts with part number.

Print Date 18/6/2019