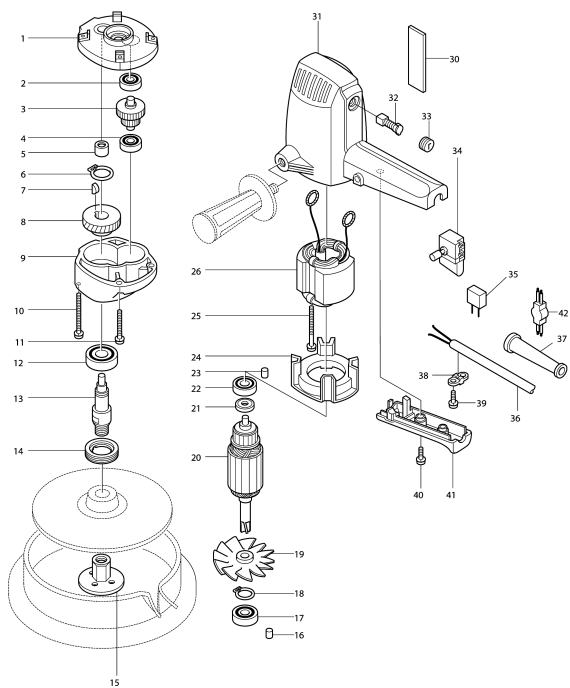


Model No.9218PB POLISHER 180MM



Model No.9218PB POLISHER 180MM

Item	Parts No.	Description	I/C	Qty	New/Old	Opt. 1	Opt. 2	Note
001	156994-8	GEAR HOUSING COVER		1				
	D10	INC. 16						
002	211033-2	BALL BEARING 608LB		1				
003	226031-3	GEAR COMPLETE 19-45		1				
004	211033-2	BALL BEARING 608LB		1				
005	212052-1	NEEDLE BEARING 1010		1				
006	961055-9	RETAINING RING S-15		1				
007	254001-2	WOODRUFF KEY 4		1				
008	221267-9	HELICAL GEAR 44		1				
009	312671-4	GEAR HOUSING		1				
010	911186-4	PAN HEAD SCREW M4X60		2				
011	911166-0	PAN HEAD SCREW M4X40		2				
012	211206-7	BALL BEARING 6202LLB		1				
013A	325426-8	SPINDLE		1				
014	285809-3	BEARING RETAINER 23-36		1				
015A	224515-5	SANDING LOCK NUT 14-48		1				
016	263002-9	RUBBER PIN 4		1				
017-1	211131-2	BALL BEARING 6001DDW		1				
018	961052-5	RETAINING RING S-12		1				
019-1	241518-4	FAN 68		1				
020C	512415-4	ARMATURE ASS'Y 220V		1				
	D10	INC. 17-19,21,22						
021	213002-9	DUST SEAL 8		1				
022	211033-2	BALL BEARING 608LB		1				
023	263002-9	RUBBER PIN 4		1				
024	411241-7	BAFFLE PLATE		1				
025-3	911681-4	PAN HEAD SCREW M5X60		2				
026E	527405-4	FIELD ASS'Y 220V		1				
C10	654019-7	RING TERMINAL		2				
C20	654501-6	CONNECTOR P-1.25		2				
030	811829-7	NAME PLATE 9218PB		1				
031	156105-5	MOTOR HOUSING		1	*			
C10	643603-3	BRUSH HOLDER 6-10		1	*			
C21	913206-0	SET SCREW M5X8		2	*			
D10		INC. 23					*	
031-1	159596-9	MOTOR HOUSING	S	1				
C11	643609-1	BRUSH HOLDER 6-10		2				
D10		INC. 23						
032B	181030-1	CARBON BRUSH CB-100		1				
033	643600-9	BRUSH HOLDER CAP 6-10		2				
034D1	651232-8	SWITCH SGEL206C		1				
035A	645209-3	NOISE SUPPRESSOR		1				

Please order the parts with part number.

Print Date 22/9/2020

Model No.9218PB POLISHER 180MM

Item	Parts No.	Description	I/C	Qty	New/Old	Opt. 1	Opt. 2	Note
036V	665394-6	POWER SUPPLY CORD 1.0-2-2.5		1				
037A	682502-4	CORD GUARD 8-85		1				
038D	687031-2	STRAIN RELIEF		1				
039-1	911133-5	PAN HEAD SCREW M4X18		2				
040-2	911138-5	PAN HEAD SCREW M4X20		2				
041	411239-4	HANDLE COVER		1	*			
041-1	414994-7	HANDLE COVER	S	1				
043	819063-3	MAKITA LABEL		1				
400	743008-8	RUBBER PAD 170		1				
401	794176-0	WOOL BONNET 180		1				
402-1	152492-0	GRIP 36 COMPLETE		1				
403	781008-0	WRENCH 17		1				
404-1	782413-4	LOCK NUT WRENCH 28		1	*			
404-2	782412-6	LOCK NUT WRENCH 28	O	1				

Please order the parts with part number.

Print Date 22/9/2020