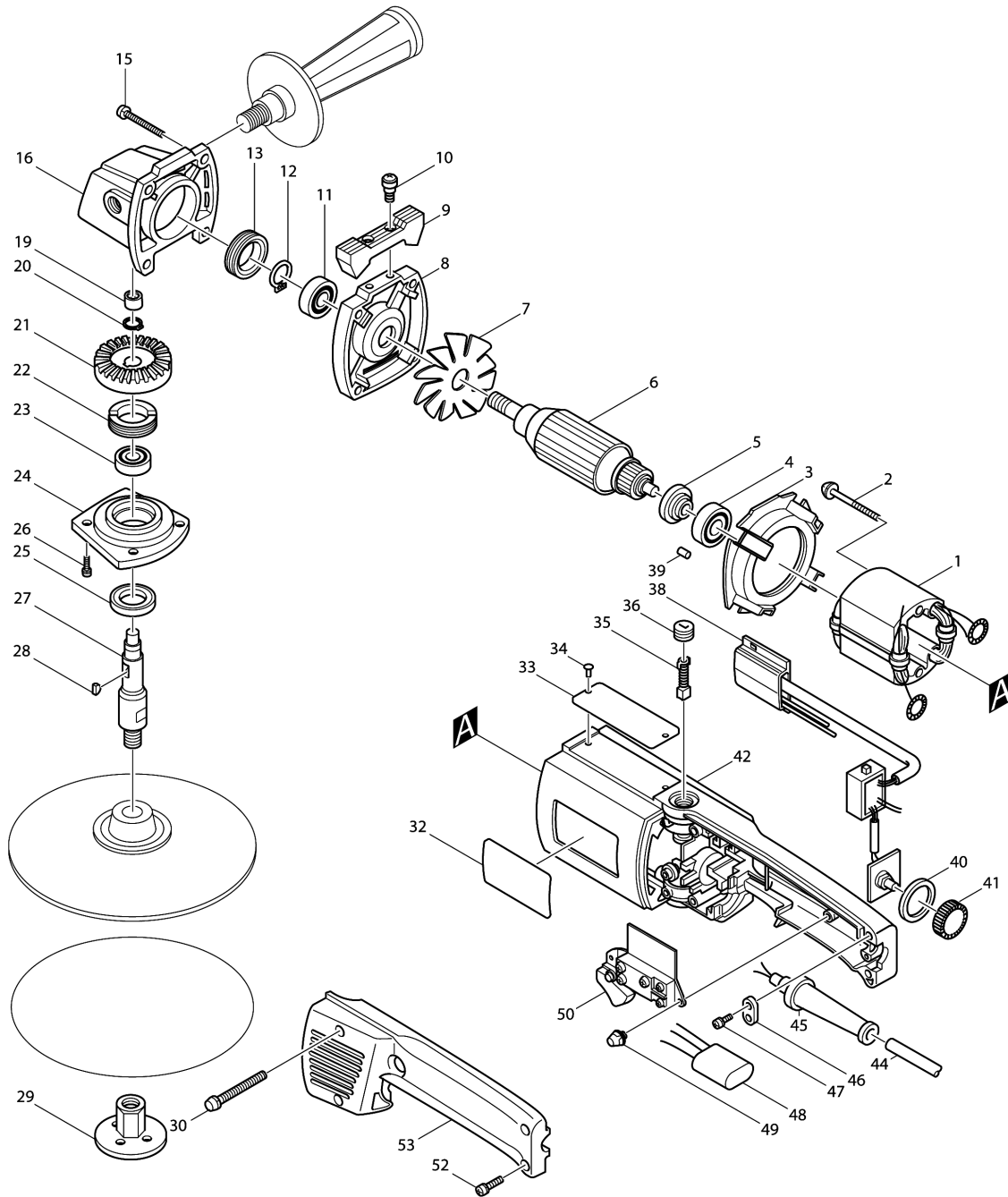


Model No.9217SPC ELECTRONIC SANDER POLISHER



Model No.9217SPC ELECTRONIC SANDER POLISHER

Item	Parts No.	Description	I/C	Qty	New/Old	Opt. 1	Opt. 2	Note
001C_	594218-8	FIELD ASS'Y 220V		1				
C10	654019-7	RING TERMINAL		1				
C20	654501-6	CONNECTOR P-1.25		1				
002	911691-1	PAN HEAD SCREW M5X70		2				
003	411263-7	BAFFLE PLATE		1				
004	211033-2	BALL BEARING 608LB		1				
005	681621-3	INSULATION WASHER		1				
006C_	516208-1	ARMATURE ASS'Y 220V		1				
D10		INC. 4,5,7						
007	241080-9	FAN 68		1				
008	315733-7	GEAR HOUSING COVER		1				
009	421275-2	TOOL REST		1				
010	251306-1	+ PAN HEAD SCREW M5		2				
011	211201-7	BALL BEARING 6002LLB		1				
012	961055-9	RETAINING RING S-15		1				
013	285816-6	BEARING RETAINER 19-33		1				
015	911261-6	PAN HEAD SCREW M5X40		4				
016	312355-4	GEAR HOUSING		1	*			
016-1	133324-0	GEAR HOUSING ASS'Y	S	1				
D10		INC. 19						
019	212005-0	NEEDLE BEARING 810		1				
020	961052-5	RETAINING RING S-12		1				
021	221365-9	SPIRAL BEVEL GEAR 44		1				
022	285805-1	BEARING RETAINER 22-34		1				
023	211106-1	BALL BEARING 6201LLB		1				
024	312795-6	BEARING BOX		1				
025	213301-9	DUST SEAL 20		1				
026	911121-2	PAN HEAD SCREW M4X14		4				
027B_	325433-1	SPINDLE		1				
028	254002-0	WOODRUFF KEY 3		1				
029A_	224515-5	SANDING LOCK NUT 14-48		1				
030	911173-3	PAN HEAD SCREW M4X45		2				
032	818631-9	LABEL		1				
033	857588-9	NAME PLATE 9217SPC		1				
034	953106-2	RIVET 0-5		2				
035A_	181030-1	CARBON BRUSH CB-100		1				
036	643600-9	BRUSH HOLDER CAP 6-10		2				
038A_	631180-7	CONTROLLER 200V-240V		1				
039	263014-2	RUBBER PIN 4		1				
040	213261-5	O RING 17		1				
041	271411-8	KNOB 28		1				
042	159739-3	MOTOR HOUSING COMPLETE		1				

Please order the parts with part number.

Print Date 18/6/2019

Model No.9217SPC ELECTRONIC SANDER POLISHER

Item	Parts No.	Description	I/C	Qty	New/Old	Opt. 1	Opt. 2	Note
C10	643603-3	BRUSH HOLDER 6-10		2				
C20	913206-0	SET SCREW M5X8		2				
C30	816165-6	INDICATION LABEL H-L		1				
D10		INC. 39						
044M_	665865-3	POWER SUPPLY CORD 1.0-2-2.5		1				
045B_	682516-3	CORD GUARD 9.3-85		1	*			
045B1	682504-0	CORD GUARD 10-85	O	1				
046C_	687031-2	STRAIN RELIEF		1				
047	911133-5	PAN HEAD SCREW M4X18		2				
048B_	645253-0	NOISE SUPPRESSOR		1				
049	911103-4	PAN HEAD SCREW M4X6		2				
050A_	651018-0	SWITCH HPAHR2-3S		1				
052	911153-9	PAN HEAD SCREW M4X28		2				
053	155625-6	HANDLE COVER COMPLETE		1				
C10	816165-6	INDICATION LABEL H-L		1				
A01A_	273477-4	GRIP 37		1				
A02	781008-0	WRENCH 17		1				
A03	782412-6	LOCK NUT WRENCH 28		1				
A04	794176-0	WOOL BONNET 180		1				
A05	743012-7	RUBBER PAD 170		1				
A06	794094-2	ABRASIVE DISC 180 #50		1	*			
A06-1	794094-2	ABRASIVE DISC 180 #50	O	1				
E01	652252-5	CLAMP WASHER		4				

Please order the parts with part number.

Print Date 18/6/2019