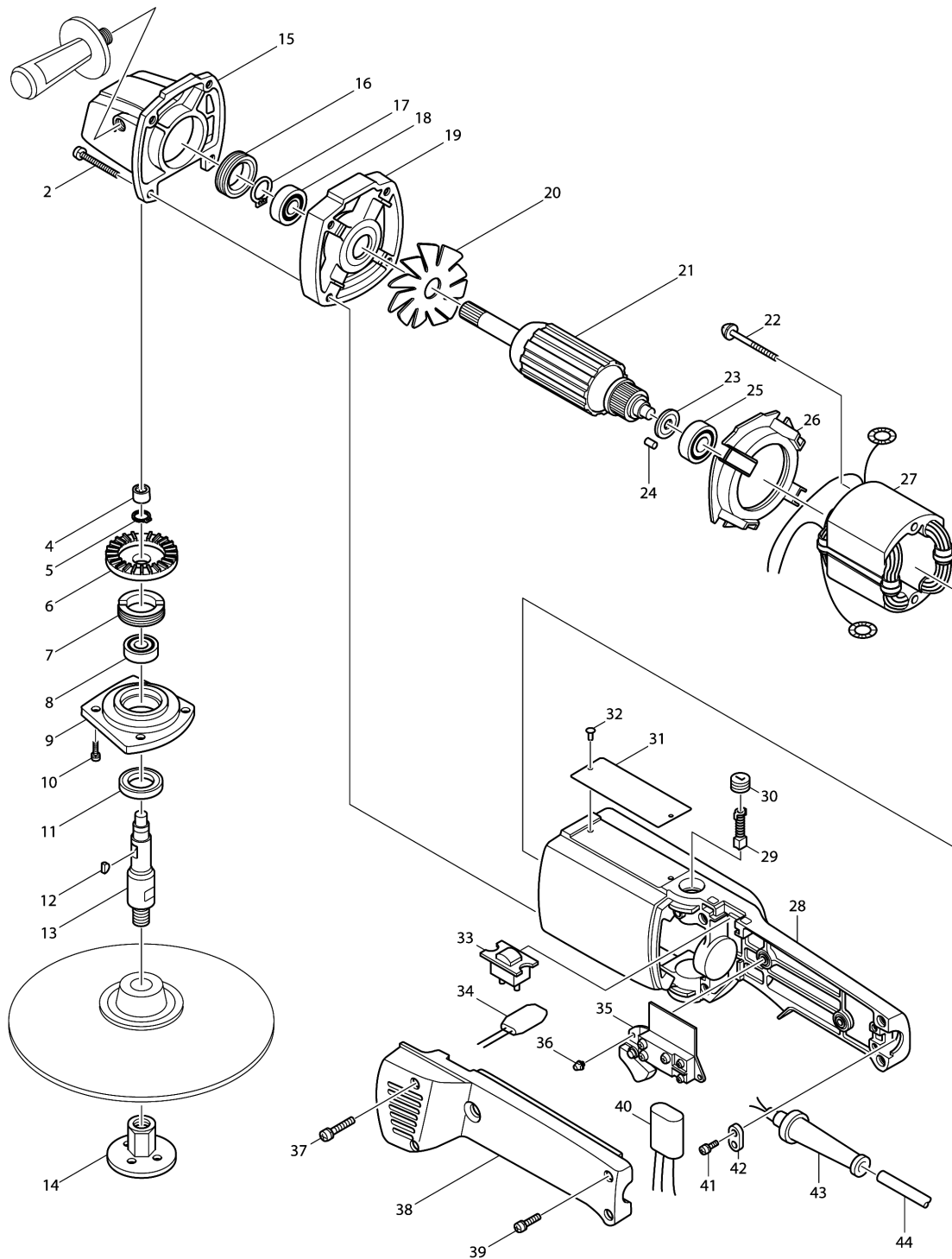


Model No.9207SPB SANDER-POLISHER 180MM



Model No.9207SPB SANDER-POLISHER 180MM

Item	Parts No.	Description	I/C	Qty	New/Old	Opt. 1	Opt. 2	Note
002	911261-6	PAN HEAD SCREW M5X40		4				
004	212005-0	NEEDLE BEARING 810		1				
005	961052-5	RETAINING RING S-12		1				
006	221312-0	SPIRAL BEVEL GEAR 43		1				
007	285805-1	BEARING RETAINER 22-34		1				
008	211106-1	BALL BEARING 6201LLB		1	*			
008-1	211144-3	BALL BEARING 6201LLB	O	1	*			
008-2	211106-1	BALL BEARING 6201LLB	O	1				
009	312795-6	BEARING BOX		1				
010	911121-2	PAN HEAD SCREW M4X14		4				
011	213301-9	DUST SEAL 20		1				
012	254002-0	WOODRUFF KEY 3		1				
013B_	325433-1	SPINDLE		1				
014B_	224515-5	SANDING LOCK NUT 14-48		1				
015	133324-0	GEAR HOUSING ASS'Y		1				
D10		INC. 4						
016	285816-6	BEARING RETAINER 19-33		1				
017	961055-9	RETAINING RING S-15		1				
018	211201-7	BALL BEARING 6002LLB		1				
019	312722-3	GEAR HOUSING COVER		1				
020	241080-9	FAN 68		1				
021C_	512549-3	ARMATURE ASS'Y 220V		1				
D10		INC. 20,23,25						
022-1	911295-9	PAN HEAD SCREW M5X70		2				
023	681603-5	INSULATION WASHER		1	*			
023-1	681613-2	INSULATION WASHER	O	1				
024-1	263014-2	RUBBER PIN 4		1				
025	211033-2	BALL BEARING 608LB		1				
026	411263-7	BAFFLE PLATE		1				
027H_	528700-5	FIELD ASS'Y 220V		1				
C10	654019-7	RING TERMINAL		2				
C20	654501-6	CONNECTOR P-1.25		2				
028	156125-9	MOTOR HOUSING		1				
C10	643603-3	BRUSH HOLDER 6-10		2				
C20	913206-0	SET SCREW M5X8		2				
D10		INC. 24						
029C_	181030-1	CARBON BRUSH CB-100		1				
030	643600-9	BRUSH HOLDER CAP 6-10		2				
031	811870-0	NAME PLATE 9207SPB		1				
032	953106-2	RIVET 0-5		2				
033	651603-9	SWITCH SS106A-5		1				
034A_	631011-0	DIODE S3V60ZM-H		1				

Please order the parts with part number.

Print Date 18/6/2019

Model No.9207SPB SANDER-POLISHER 180MM

Item	Parts No.	Description	I/C	Qty	New/Old	Opt. 1	Opt. 2	Note
035-1	651018-0	SWITCH HPAHR2-3S		1				
036	911103-4	PAN HEAD SCREW M4X6		2				
037	911168-6	PAN HEAD SCREW M4X40		2				
038	411262-9	HANDLE COVER		1				
039	911148-2	PAN HEAD SCREW M4X25		2				
040H1	645253-0	NOISE SUPPRESSOR		1				
041-1	911133-5	PAN HEAD SCREW M4X18		2				
042C_	687031-2	STRAIN RELIEF		1				
043B_	682516-3	CORD GUARD 9.3-85		1	*			
043B1	682504-0	CORD GUARD 10-85	O	1				
044W_	665865-3	POWER SUPPLY CORD 1.0-2-2.5		1				
400	743012-7	RUBBER PAD 170		1				
401-1	794094-2	ABRASIVE DISC 180 #50		1	*			
402	794176-0	WOOL BONNET 180		1				
403A2	152492-0	GRIP 36 COMPLETE		1				
404-2	782412-6	LOCK NUT WRENCH 28		1				
405	781008-0	WRENCH 17		1				

Please order the parts with part number.

Print Date 18/6/2019