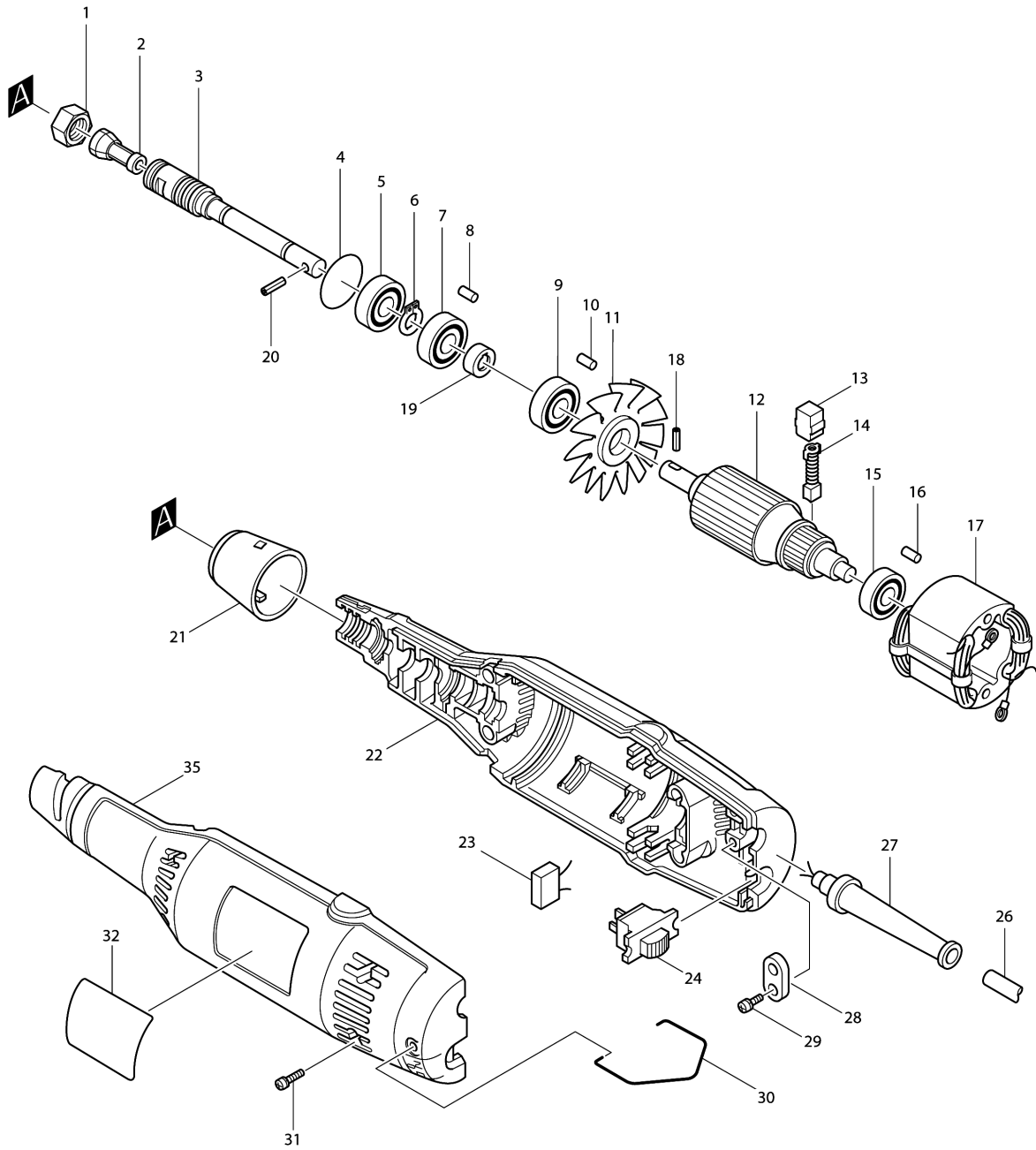


Model No.906 DIE GRINDER



Model No.906 DIE GRINDER

Item	Parts No.	Description	I/C	Qty	New/Old	Opt. 1	Opt. 2	Note
001	763606-2	COLLET NUT 6		1	*			
001-1	763240-8	COLLET NUT 6	<	1				
002	763625-8	COLLET CONE 1/4"		1	*			
002-1	763620-8	COLLET CONE 6MM	X	1				
003	321194-1	SPINDLE		1				
004	213373-4	O RING 22		1				
005	211033-2	BALL BEARING 608LB		1	*			
005-1	211031-6	BALL BEARING 608LLB	<	1				
006	961004-6	RETAINING RING S-8		1				
007	211033-2	BALL BEARING 608LB		1				
008	263002-9	RUBBER PIN 4		1				
009	211033-2	BALL BEARING 608LB		1	*			
009-1	211031-6	BALL BEARING 608LLB	O	1				
010	263002-9	RUBBER PIN 4		1				
011	241100-9	FAN 52		1				
012C_	511403-8	ARMATURE ASS'Y 220V		1				
D10		INC. 9,11,15						
013	643552-4	BRUSH HOLDER 5-8		2				
014C_	191627-8	CARBON BRUSH CB-64		1				
015	211028-5	BALL BEARING 627LB		1				
016	263002-9	RUBBER PIN 4		1				
017C_	521388-0	FIELD ASS'Y 220V		1				
C10	654002-4	TERMINAL 1.25-M4		2				
018-1	951057-3	SPRING PIN 3-12		1				
019-4	410986-4	COUPLING		1	*			
019-5	456337-7	COUPLING	O	1				
020-1	951057-3	SPRING PIN 3-12		1				
021	341553-3	CAP		1				
022	181675-5	HOUSING SET		1				
D10		INC. 8,10,16,35						
023D_	645105-5	NOISE SUPPRESSOR		1				
024	651600-5	SWITCH SS106A		1	*			
024-1	651603-9	SWITCH SS106A-5	O	1				
026B_	665394-6	POWER SUPPLY CORD 1.0-2-2.5		1				
027	682500-8	CORD GUARD 8.5-72		1				
028D_	687031-2	STRAIN RELIEF		1				
029-1	911133-5	PAN HEAD SCREW M4X18		2				
030	321193-3	HANGER		1				
031	911148-2	PAN HEAD SCREW M4X25		4				
032	815460-1	NAME PLATE 906		1	*			
032-1	814R99-5	NAME PLATE 906	<	1				
035	181675-5	HOUSING SET		1				

Please order the parts with part number.

Print Date 18/6/2019

Model No.906 DIE GRINDER

Item	Parts No.	Description	I/C	Qty	New/Old	Opt. 1	Opt. 2	Note
D10		INC. 8,10,16,22						
400	794217-2	DRESSING STONE		1	*			
401	781003-0	WRENCH 10		1	*			
401-1	781036-5	WRENCH 10	O	1				
402	781008-0	WRENCH 17		1				
403	741617-7	WHEEL POINT 1-19-60		1	*			
403-1	741614-3	WHEEL POINT 1-19-60	X	1	*			
404	741616-9	WHEEL POINT 4-19-60		1	*			
404-1	741615-1	WHEEL POINT 4-19-60	X	1	*			
405	199105-2	WHEEL POINT SET EN		1				
C10	741614-3	WHEEL POINT 1-19-60		1				
C20	741615-1	WHEEL POINT 4-19-60		1				
C30	741809-8	DRESSING STONE		1				

Please order the parts with part number.

Print Date 18/6/2019