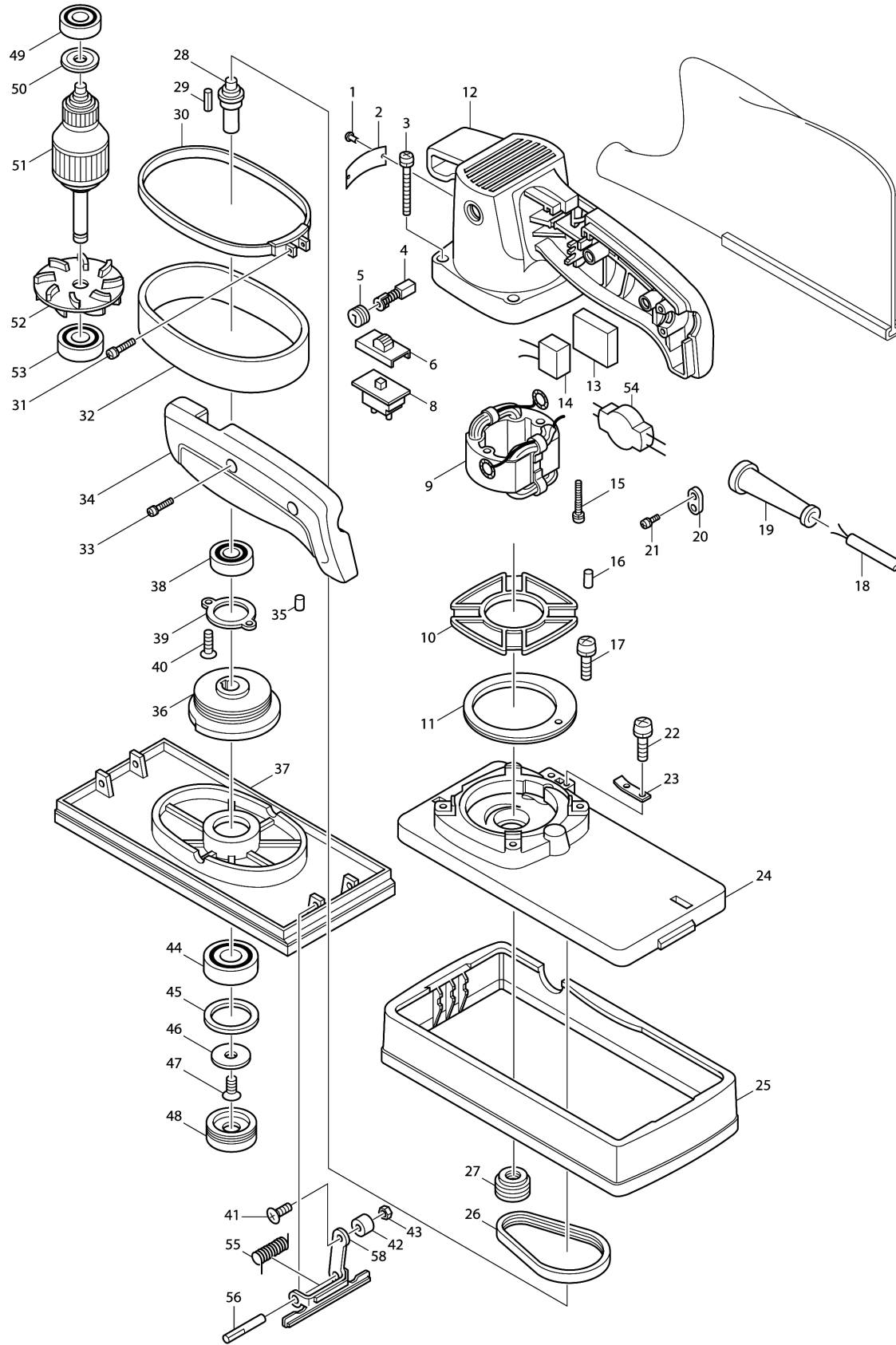


### Model No.9045N FINISHING SANDER





## Model No.9045N FINISHING SANDER

Item	Parts No.	Description	I/C	Qty	New/Old	Opt. 1	Opt. 2	Note
001	953106-2	RIVET 0-5		2	*			
002	815227-7	NAME PLATE 9045N		1	*			
002-1	862422-0	NAME PLATE 9045N	X	1				
003	911258-5	PAN HEAD SCREW M5X35		4				
004	181030-1	CARBON BRUSH CB-100		1				
005	643600-9	BRUSH HOLDER CAP 6-10		2				
006A_	652153-7	SLIDE COVER D.		1	*			
006A1	652191-9	SLIDE COVER	X	1	*			
006A2	652191-9	SLIDE COVER	O	1				
008A1	651653-4	SWITCH SS203KY-3		1	*			
008A2	651656-8	SWITCH SS203KY-3	S	1				
009H_	528297-4	FIELD ASS'Y 220V		1				
C10	654019-7	RING TERMINAL		2				
C20	654501-6	CONNECTOR P-1.25		2				
010	411628-3	BAFFLE PLATE		1				
011-1	162154-2	SEPARATE		1				
012	156537-6	MOTOR HOUSING		1	*			
C10	263002-9	RUBBER PIN 4		1	*			
C20	643603-3	BRUSH HOLDER 6-10		2	*			
C30	913206-0	SET SCREW M5X8		2	*			
012-1	154989-5	MOTOR HOUSING	X	1				
C10	643603-3	BRUSH HOLDER 6-10		2				
013A_	685700-9	SPONGE SHEET		1				
014H1	645253-0	NOISE SUPPRESSOR		1				
015-2	911265-8	PAN HEAD SCREW M5X40		2				
016	263002-9	RUBBER PIN 4		1				
017	911116-5	PAN HEAD SCREW M4X12		1				
018X_	665394-6	POWER SUPPLY CORD 1.0-2-2.5		1				
019A_	682502-4	CORD GUARD 8-85		1				
020D_	687031-2	STRAIN RELIEF		1				
021-1	911133-5	PAN HEAD SCREW M4X18		2				
022-1	911116-5	PAN HEAD SCREW M4X12		1				
023	163123-6	STOPPER		1				
024	156538-4	FRAME		1				
C10	212005-0	NEEDLE BEARING 810		1				
D10		INC. 16						
025	411624-1	FRAME COVER		1				
026	225049-1	POLY V-BELT 3-250		1				
027	222072-7	V-PULLEY 3-26		1				
028	321114-5	SPINDLE		1				
029	254204-8	KEY 4		1				
030	164496-0	STEEL BAND		2				

Please order the parts with part number.

Print Date 18/6/2019

## Model No.9045N FINISHING SANDER

Item	Parts No.	Description	I/C	Qty	New/Old	Opt. 1	Opt. 2	Note
031	911146-6	PAN HEAD SCREW M4X25		2				
032	421155-2	RUBBER SLEEVE		1				
033	911158-9	PAN HEAD SCREW M4X30		2				
034	411617-8	HANDLE COVER		1				
035	263005-3	RUBBER PIN 6		1				
036	315095-3	BALANCE WEIGHT		1				
037-2	134645-3	BASE ASS'Y		1				
C10	423209-1	SPONGE RUBBER		1				
D11		INC. 55,56,58						
038	211201-7	BALL BEARING 6002LLB		1				
039	285615-6	BEARING RETAINER 40		1				
040	912117-6	COUNTERSUNK HEAD SCREW M4X12		2				
041	912112-6	COUNTERSUNK HEAD SCREW M4X10		2				
042-1	411625-9	PUSH BUTTON		2				
D10		INC. 43						
043	931102-0	HEX. NUT M4		2				
044-1	211275-8	BALL BEARING 6003DDW		1				
045	253792-2	FLAT WASHER 26		1				
046	253930-6	FLAT WASHER 7		1				
047	912212-2	COUNTERSUNK HEAD SCREW M5X12		1				
048-1	285818-2	BEARING RETAINER 12-33		1				
049	211033-2	BALL BEARING 608LB		1				
050	681603-5	INSULATION WASHER		1	*			
050-1	681613-2	INSULATION WASHER	O	1				
051C_	512673-2	ARMATURE ASS'Y 220V		1				
D10		INC. 49,50,52,53						
052	241808-5	FAN 70		1				
053	211066-7	BALL BEARING 6200LLB		1				
055	231534-4	TORSION SPRING 4		2				
056-1	256748-4	PIN 4-50		2				
058-1	165007-4	PAPER CLAMP		2				
400	794196-4	ABRASIVE PAPER SET 114X280		1				
401-1	122339-2	DUST BAG ASS'Y		1				
D10		INC. 402						
402	411626-7	FASTENER		1				
901	819063-3	MAKITA LABEL		1				

Please order the parts with part number.

Print Date 18/6/2019