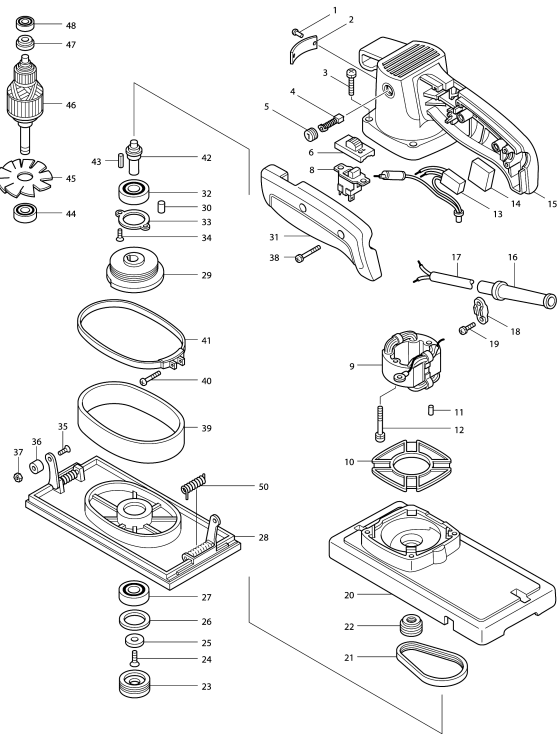


Model No.9045B FINISHING SANDER



Model No.9045B FINISHING SANDER

Item	Parts No.	Description	I/C	Qty	New/Old	Opt. 1	Opt. 2	Note
001	953106-2	RIVET 0-5		2	*			
002	815277-2	NAME PLATE 9045B		1	*			
002-1	862429-6	NAME PLATE 9045B	X	1				
003	911258-5	PAN HEAD SCREW M5X35		4				
004	181030-1	CARBON BRUSH CB-100		1				
005	643600-9	BRUSH HOLDER CAP 6-10		2				
006A	652153-7	SLIDE COVER D.		1	*			
006A1	652191-9	SLIDE COVER	X	1	*			
006A2	652191-9	SLIDE COVER	O	1				
008A1	651653-4	SWITCH SS203KY-3		1	*			
008A2	651656-8	SWITCH SS203KY-3	S	1				
009E1	528297-4	FIELD ASS'Y 220V		1				
C10	654019-7	RING TERMINAL		2				
C20	654501-6	CONNECTOR P-1.25		2				
010	411628-3	BAFFLE PLATE		1				
011	263002-9	RUBBER PIN 4		1				
012-2	911265-8	PAN HEAD SCREW M5X40		2				
013B	645208-5	NOISE SUPPRESSOR		1				
014-2	685725-3	SPONGE SHEET		1				
015	156537-6	MOTOR HOUSING		1	*			
C10	643603-3	BRUSH HOLDER 6-10		2	*			
C20	913206-0	SET SCREW M5X8		2	*			
C30	263002-9	RUBBER PIN 4		1	*			
015-1	154989-5	MOTOR HOUSING	X	1				
C10	643603-3	BRUSH HOLDER 6-10		2				
016	682504-0	CORD GUARD 10-85		1				
017M	665016-8	POWER SUPPLY CORD 1.00-2-2.5		1				
018C1	687031-2	STRAIN RELIEF		1				
019-1	911133-5	PAN HEAD SCREW M4X18		2				
020-1	159533-3	FRAME		1				
C10	212005-0	NEEDLE BEARING 810		1				
D10		INC. 11						
021	225049-1	POLY V-BELT 3-250		1				
022	222072-7	V-PULLEY 3-26		1				
023-1	285818-2	BEARING RETAINER 12-33		1				
024	912212-2	COUNTERSUNK HEAD SCREW M5X12		1				
025	253930-6	FLAT WASHER 7		1				
026	253792-2	FLAT WASHER 26		1				
027-1	211275-8	BALL BEARING 6003DDW		1				
028-2	134645-3	BASE ASS'Y		1				
C10	423209-1	SPONGE RUBBER		1				

Please order the parts with part number.

Print Date 22/9/2020

Model No.9045B FINISHING SANDER

Item	Parts No.	Description	I/C	Qty	New/Old	Opt. 1	Opt. 2	Note
C31	256748-4	PIN 4-50		2				
C51	165007-4	PAPER CLAMP		2				
D10		INC. 50						
029	315085-3	BALANCE WEIGHT		1				
030	263005-3	RUBBER PIN 6		1				
031	411617-8	HANDLE COVER		1				
032	211201-7	BALL BEARING 6002LLB		1				
033	285615-6	BEARING RETAINER 40		1				
034	912117-6	COUNTERSUNK HEAD SCREW M4X12		2				
035	912112-6	COUNTERSUNK HEAD SCREW M4X10		2				
036-1	411625-9	PUSH BUTTON		2				
D10		INC. 37						
037	931102-0	HEX. NUT M4		2				
038	911158-9	PAN HEAD SCREW M4X30		2				
039	421155-2	RUBBER SLEEVE		1				
040	911146-6	PAN HEAD SCREW M4X25		2				
041	164496-0	STEEL BAND		2				
042	321114-5	SPINDLE		1				
043	254204-8	KEY 4		1				
044	211066-7	BALL BEARING 6200LLB		1				
045	241097-2	FAN 75		1				
046C	512698-6	ARMATURE ASS'Y 220V		1				
D11		INC. 44,45,47,48						
047-1	681613-2	INSULATION WASHER		1				
048	211033-2	BALL BEARING 608LB		1				
050	231534-4	TORSION SPRING 4		2				
400	794196-4	ABRASIVE PAPER SET 114X280		1				
900	819063-3	MAKITA LABEL		1				

Please order the parts with part number.

Print Date 22/9/2020