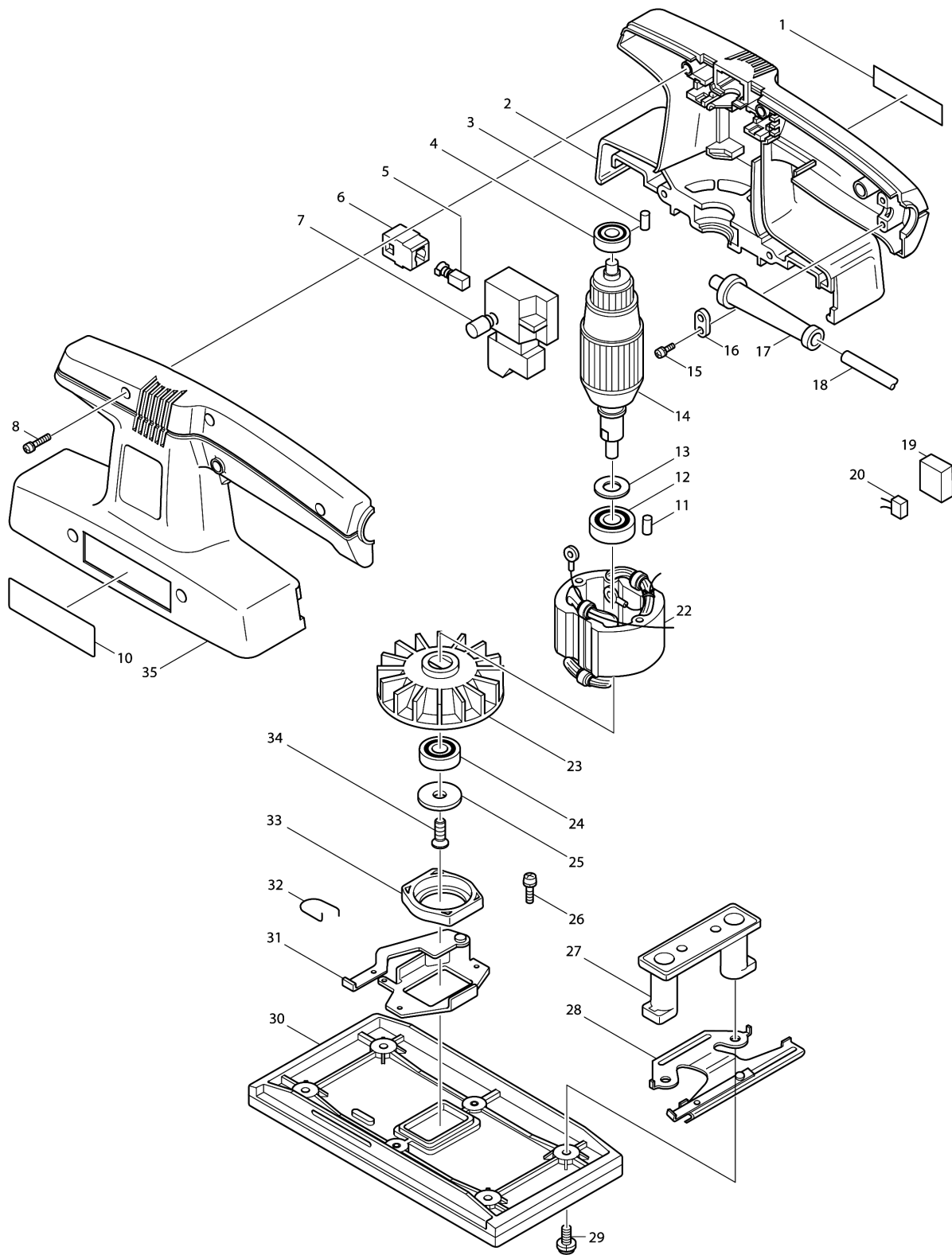


# Model No.9035N DUAL ACTION FINISHING SANDER





## Model No.9035N DUAL ACTION FINISHING SANDER

Item	Parts No.	Description	I/C	Qty	New/Old	Opt. 1	Opt. 2	Note
001	819001-5	MAKITA LABEL		1	*			
002	181758-1	HOUSING SET		1				
D10		INC. 3,11,35						
003	263002-9	RUBBER PIN 4		1				
004	211026-9	BALL BEARING 627LLB		1	*			
004-1	210025-8	BALL BEARING 627LLB	O	1				
005C_	191627-8	CARBON BRUSH CB-64		1				
006	643552-4	BRUSH HOLDER 5-8		2				
007F_	651235-2	SWITCH C2M-A1T		1				
008	911158-9	PAN HEAD SCREW M4X30		5				
010	855170-8	NAME PLATE 9035N		1				
011	263002-9	RUBBER PIN 4		1				
012	211106-1	BALL BEARING 6201LLB		1				
013	253069-5	FLAT WASHER 12		1	*			
013-1	961015-1	STOP RING E-9	X	1	*			
013-2	961016-9	STOP RING E-10	X	1				
014F_	518041-7	ARMATURE ASS'Y 220V		1	*			
D10		INC. 4,12,13			*			
014F1	517048-0	ARMATURE ASS'Y 220V	O	1				
D10		INC. 4,12,13						
015-1	911133-5	PAN HEAD SCREW M4X18		2				
016	687001-1	STRAIN RELIEF		1				
017	682502-4	CORD GUARD 8-85		1				
018K1	666053-5	POWER SUPPLY CORD 1.0-2-2.0		1				
020A_	645209-3	NOISE SUPPRESSOR		1				
022C_	521299-9	FIELD ASS'Y 220V		1	*			
C10	654002-4	TERMINAL 1.25-M4		2	*			
022C1	593008-6	FIELD ASS'Y 220V	O	1				
C10	654002-4	TERMINAL 1.25-M4		2				
023	241645-7	FAN 73		1				
024-1	211131-2	BALL BEARING 6001DDW		1				
025	267001-3	FLAT WASHER 7		1				
026	911106-8	PAN HEAD SCREW M4X8		2				
027	421273-6	FOOT		2				
028	163107-4	CLAMPER		2				
029-1	265005-9	+PAN HEAD SCREW M4X12		4				
030-1	150344-9	BASE COMPLETE		1				
031-1	163223-2	GUIDE PLATE		1				
032	231572-6	TORSION SPRING		1				
033	410436-9	BEARING BOX		1				
034-1	251372-8	+ COUNTERSUNK HEAD SCREW M5X12		1				

Please order the parts with part number.

Print Date 18/6/2019

**Model No.9035N DUAL ACTION FINISHING SANDER**

Item	Parts No.	Description	I/C	Qty	New/Old	Opt. 1	Opt. 2	Note
035	181758-1	HOUSING SET		1				
D10		INC. 2,3,11						
400	794028-5	ABRASIVE PAPER SET 93		1				

Please order the parts with part number.

Print Date 18/6/2019