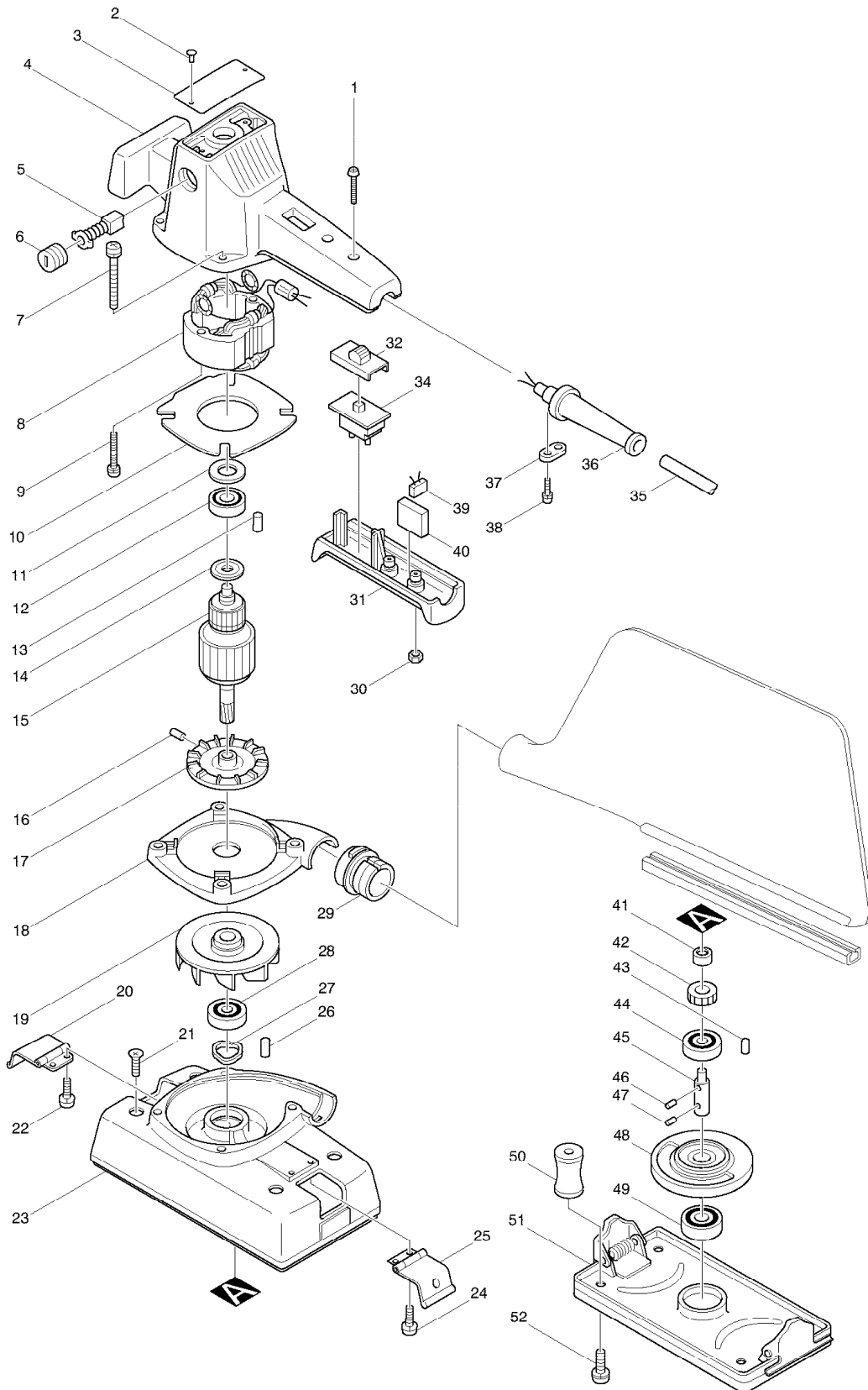


SERVICE DRAWING

MODEL NO. 9035KB



SPARE PARTS LIST

MODEL NO. 9035KB

| ITEM | PART NO. | DESCRIPTION | QTY | NOTE |
|------|----------|------------------------------|-----|-------|
| 001 | 911163-6 | PAN HEAD SCREW M4X35 | 2 | |
| 002 | 953106-2 | RIVET 0-5 | 2 | |
| 003 | 815014-4 | NAME PLATE 9035KB | 1 | |
| 004 | 156362-5 | MOTOR HOUSING | 1 | |
| 005 | 191628-6 | CARBON BRUSH CB-65 | 1 | |
| 006 | 643550-8 | BRUSH HOLDER CAP 5-8 | 2 | |
| 007 | 911258-5 | PAN HEAD SCREW M5X35 | 4 | |
| 008 | 522279-8 | FIELD ASS'Y 220V | 1 | 220V |
| 009 | 911265-8 | PAN HEAD SCREW M5X40 | 2 | |
| 010 | 411340-5 | BAFFLE PLATE | 1 | |
| 011 | 253192-6 | FLAT WASHER 14 | 1 | |
| 012 | 211031-6 | BALL BEARING 608LLB | 1 | |
| 013 | 263002-9 | RUBBER PIN 4 | 1 | |
| 014 | ***** | ***** | *** | ***** |
| 015 | 512359-8 | ARMATURE ASS'Y 220V 220V | 1 | 220V |
| 016 | 256074-1 | PIN 4 | 1 | |
| 017 | 241810-8 | FAN 62 | 1 | |
| 018 | 411337-4 | SEPARATOR | 1 | |
| 019 | 241617-2 | FAN 80 | 1 | |
| 020 | 154241-1 | COVER PLATE | 1 | |
| 021 | 912211-4 | COUNTERSUNK HEAD SCREW M5X12 | 4 | |
| 022 | 911106-8 | PAN HEAD SCREW M4X8 | 2 | |
| 023 | 155190-5 | FRAME COMPLETE | 1 | |
| 024 | 911106-8 | PAN HEAD SCREW M4X8 | 2 | |
| 025 | 154241-1 | COVER PLATE | 1 | |
| 026 | 263002-9 | RUBBER PIN 4 | 1 | |
| 027 | ***** | ***** | *** | ***** |
| 028 | ***** | ***** | *** | ***** |
| 029 | 154277-0 | JOINT | 1 | |
| 030 | 931102-0 | HEX. NUT M4 | 2 | |
| 031 | 411338-2 | HANDLE COVER | 1 | |
| 032 | ***** | ***** | *** | ***** |
| 034 | ***** | ***** | *** | ***** |
| 035 | 665016-8 | POWER SUPPLY CORD 1.00-2-2.5 | 1 | |
| 036 | 682504-0 | CORD GUARD 10-85 | 1 | |
| 037 | 687031-2 | STRAIN RELIEF | 1 | |
| 038 | 911133-5 | PAN HEAD SCREW M4X18 | 2 | |
| 039 | 645253-0 | NOISE SUPPRESSOR | 1 | |
| 040 | 685700-9 | SPONGE SHEET | 1 | |
| 041 | 212011-5 | NEEDLE BEARING 609 | 1 | |
| 042 | 221617-8 | HELICAL GEAR 24 | 1 | |
| 043 | 263002-9 | RUBBER PIN 4 | 1 | |
| 044 | ***** | ***** | *** | ***** |
| 045 | 323640-0 | GEAR SHAFT | 1 | |
| 046 | 256074-1 | PIN 4 | 1 | |
| 047 | 256074-1 | PIN 4 | 1 | |
| 048 | 312830-0 | BALANCE WEIGHT | 1 | |
| 049 | 211268-5 | BALL BEARING 1710LLB | 1 | |
| 050 | 421139-0 | RUBBER FOOT | 4 | |
| 051 | 155173-5 | BASE COMPLETE | 1 | |
| 052 | 911206-4 | PAN HEAD SCREW M5X10 | 4 | |
| 400 | 794028-5 | ABRASIVE PAPER SET 93 | 1 | |

SPARE PARTS LIST

MODEL NO. 9035KB

| ITEM | PART NO. | DESCRIPTION | QTY | NOTE |
|------|----------|-----------------|-----|------|
| 401 | 122193-4 | DUST BAG ASS'Y | 1 | |
| 402 | 411301-5 | FASTENER | 1 | |
| 901 | 951013-3 | SPRING PIN 2-16 | 1 | |
