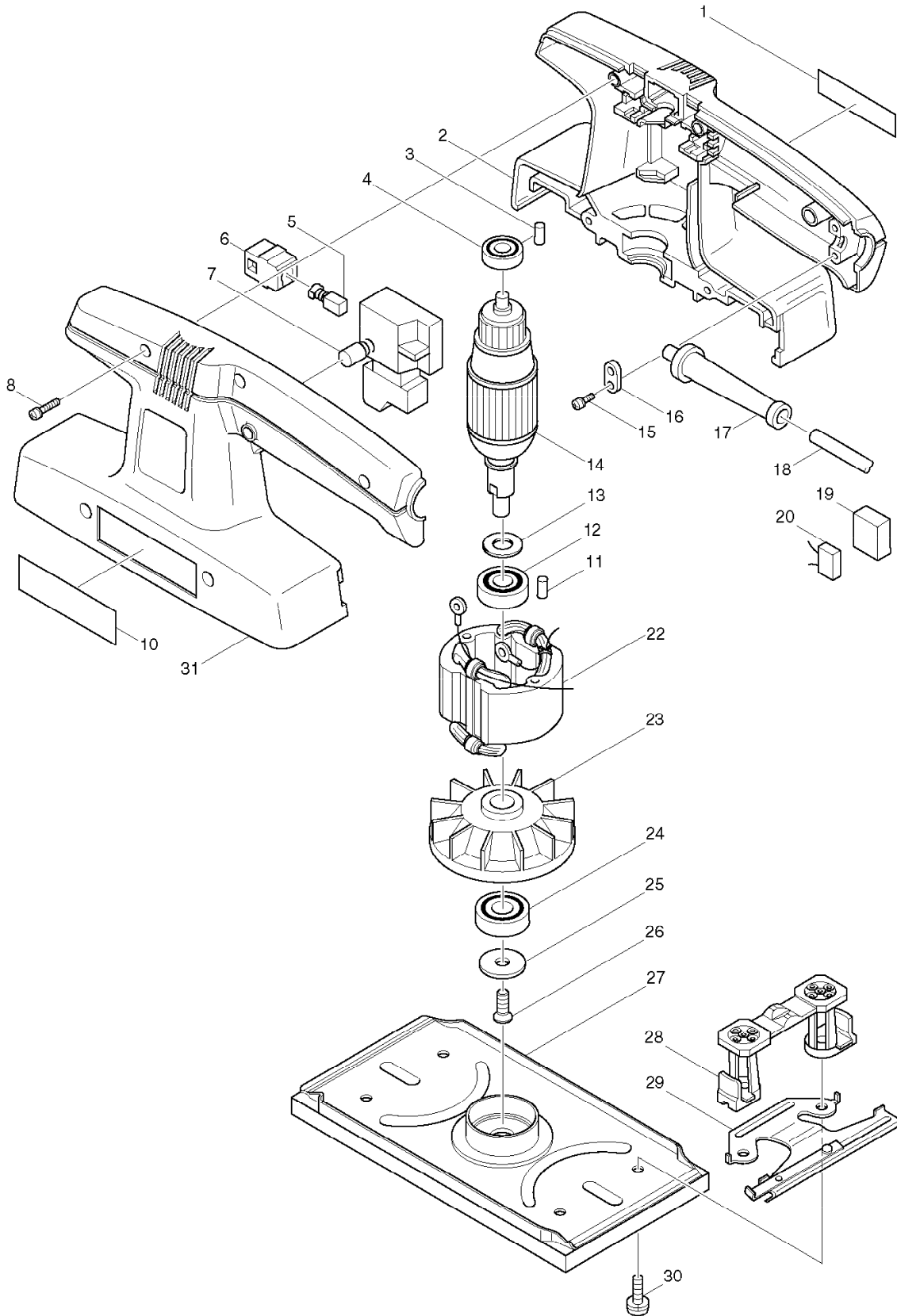


SERVICE DRAWING

MODEL NO. 9035



SPARE PARTS LIST

MODEL NO. 9035

ITEM	PART NO.	DESCRIPTION	QTY	NOTE
001	819001-5	MAKITA LABEL	1	
002	181758-1	HOUSING SET	1	
003	263002-9	RUBBER PIN 4	2	
004	*****	*****	***	*****
005	191627-8	CARBON BRUSH CB-64	1	
006	643552-4	BRUSH HOLDER 5-8	2	
007	651232-8	SWITCH SGEL206C	1	
008	911158-9	PAN HEAD SCREW M4X30	5	
010	854712-5	NAME PLATE 9035	1	
011	263002-9	RUBBER PIN 4	1	
012	*****	*****	***	*****
013	*****	*****	***	*****
014	517043-0	ARMATURE ASS'Y 220V	1	220V
015	911133-5	PAN HEAD SCREW M4X18	2	
016	687001-1	STRAIN RELIEF	1	
017	682502-4	CORD GUARD 8-85	1	
018	666053-5	POWER SUPPLY CORD 1.0-2-2.0	1	220V
019	685725-3	SPONGE SHEET	1	
020	645105-5	NOISE SUPPRESSOR	1	
022	528632-6	FIELD ASS'Y 220V	1	220V
023	241618-0	FAN 68	1	
024	*****	*****	***	*****
025	253930-6	FLAT WASHER 7	1	
026	251372-8	+ COUNTERSUNK HEAD SCREW M5X12	1	
027	155174-3	BASE COMPLETE	1	
028	410918-1	FOOT	2	
029	163107-4	CLAMPER	2	
030	911116-5	PAN HEAD SCREW M4X12	4	
031	181758-1	HOUSING SET	1	
400	794028-5	ABRASIVE PAPER SET 93	1	