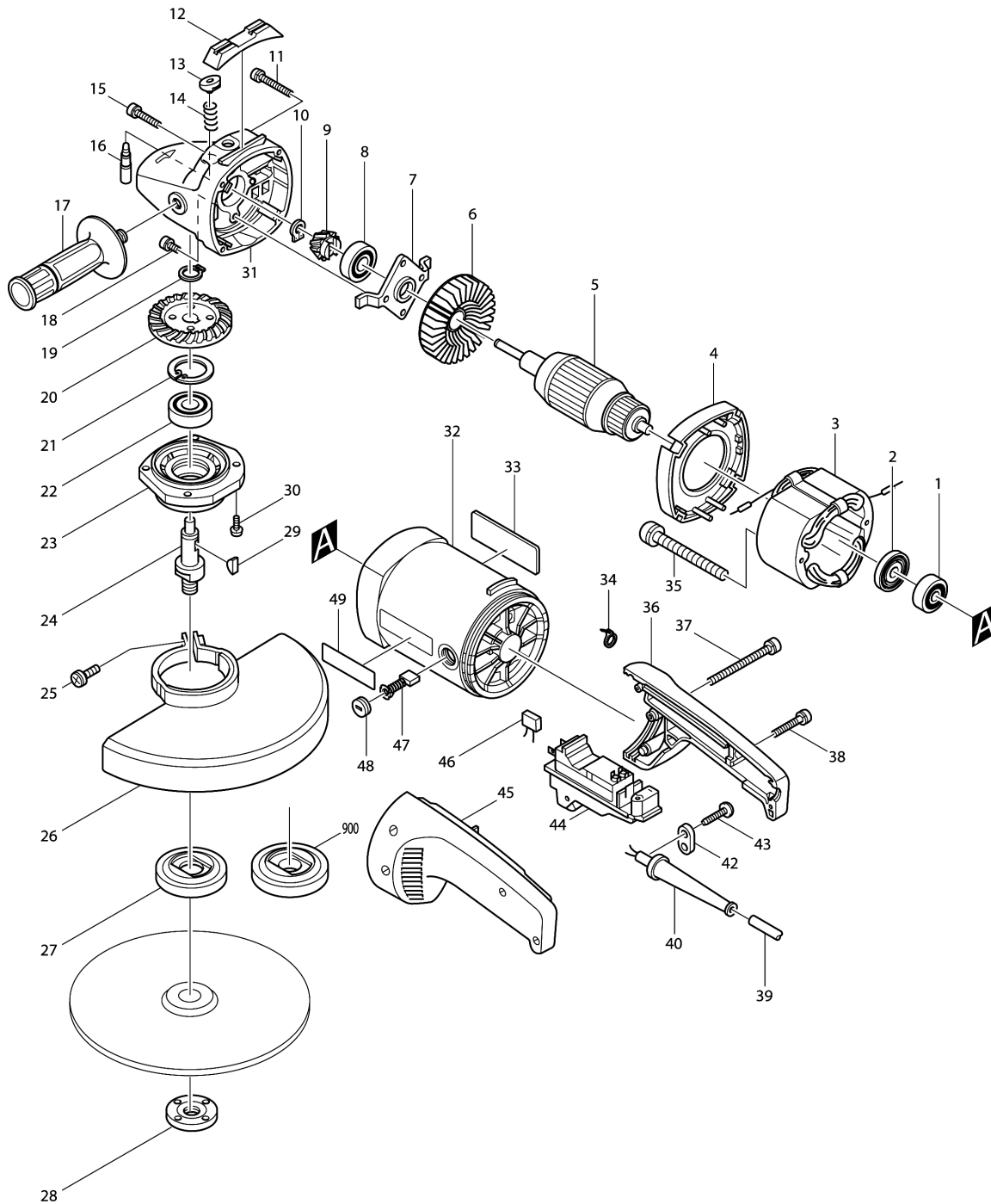


Model No.9027S DISC GRINDER 180MM



Model No.9027S DISC GRINDER 180MM

Item	Parts No.	Description	I/C	Qty	New/Old	Opt. 1	Opt. 2	Note
001	211087-9	BALL BEARING 6200DDW		1				
002	681630-2	INSULATION WASHER		1				
003C_	636003-4	FIELD 220V		1	*			
003C1	526013-8	FIELD ASS'Y 220V	X	1				
C10	654098-5	RECEPTACLE		2				
004	414989-0	BAFFLE PLATE		1	*			
004-1	415647-1	BAFFLE PLATE	S	1				
005C3	516593-2	ARMATURE ASS'Y 220V		1	*			
005C4	516658-0	ARMATURE ASS'Y 220V	X	1	*			
D10		INC. 1,2,6			*			
005C5	516593-2	ARMATURE ASS'Y 220V	O	1				
D10		INC. 1,2,6						
006	241859-8	FAN 80		1				
007	285672-4	BEARING RETAINER 57		1				
008	211132-0	BALL BEARING 6301DDW		1				
009	226701-4	SPIRAL BEVEL GEAR 15		1				
010	961005-4	RETAINING RING S-9		1				
011	911263-2	PAN HEAD SCREW M5X40		4				
012	421421-7	TOOL REST		1				
013	414990-5	PIN CAP		1				
014	233031-6	COMPRESSION SPRING 12		1				
015	265977-8	HEX.SOCKET HEAD BOLT M5X20		1	*			
015-1	266464-0	HEX. SOCKET HEAD BOLT M5X20	O	1				
016	256431-3	PIN 6		1				
017-1	152492-0	GRIP 36 COMPLETE		1				
018	265976-0	HEX.SOCKET HEAD BOLT M5X10		1				
019	961057-5	RETAINING RING S-17		1				
020	221389-5	SPIRAL BEVEL GEAR 50		1				
021	962157-4	RETAINING RING R-40		1				
022	211278-2	BALL BEARING 6203DDW		1				
023	316399-6	BEARING BOX		1				
024A_	322512-6	SPINDLE		1				
025	251383-3	PAN HEAD SCREW M8X30		1				
026	165045-6	WHEEL COVER		1				
027	122444-5	INNER FLANGE 47 ASS'Y		1				
027B1	224298-7	INNER FLANGE 42		1	*			
027B2	224415-9	INNER FLANGE 42	<	1				
028A_	224543-0	LOCK NUT 14-45		1	*			
028A1	192567-3	LOCK NUT DIN	X	1				
029	254001-2	WOODRUFF KEY 4		1				
030	911223-4	PAN HEAD SCREW M5X16		4				

Please order the parts with part number.

Print Date 18/6/2019

Model No.9027S DISC GRINDER 180MM

Item	Parts No.	Description	I/C	Qty	New/Old	Opt. 1	Opt. 2	Note
031	159469-6	GEAR HOUSING		1				
C10	212063-6	NEEDLE BEARING 1012		1				
032-1	125029-6	MOTOR HOUSING ASS'Y		1	*			
C10	643705-5	BRUSH HOLDER		2	*			
C20	632282-2	SUPPORT UNIT		1	*			
D10		INC. 34,49			*			
032-2	125036-9	MOTOR HOUSING ASS'Y	S	1	*			
C10	643705-5	BRUSH HOLDER		2	*			
C20	632282-2	SUPPORT UNIT		1	*			
D10		INC. 34,49			*			
032-3	125036-9	MOTOR HOUSING ASS'Y	X	1	*			
C10	643705-5	BRUSH HOLDER		2	*			
C20	632282-2	SUPPORT UNIT		1	*			
D11		INC. 34,49			*			
032-4	182815-8	MOTOR HOUSING	X	1				
C10	643705-5	BRUSH HOLDER		2	*			
C11	643707-1	BRUSH HOLDER	O	2				
D11		INC. 49						
033	857203-5	NAME PLATE 9027S		1				
034	687010-0	BAND		1				
035-1	911691-1	PAN HEAD SCREW M5X70		2				
036-1	182563-9	HANDLE SET		1	*			
D10		INC. 45			*			
036-2	182607-5	HANDLE SET	S	1	*			
D10		INC. 45			*			
036-3	182824-7	HANDLE SET	S	1				
D10		INC. 45						
037-1	265016-4	PAN HEAD SCREW M6X85		1				
038	911148-2	PAN HEAD SCREW M4X25		4	*			
038-1	265999-8	TAPPING SCREW 4X25	X	4				
039F_	665516-8	POWER SUPPLY CORD 1.00-2-2.5		1				
040	682505-8	CORD GUARD 10-90		1				
042A_	687052-4	STRAIN RELIEF		1				
043A_	266121-0	TAPPING SCREW FLANGE PF 4X18		2	*			
043A1	265995-6	TAPPING SCREW 4X18	O	2				
044-1	651147-9	SWITCH 1362.0102		1	*			
044-2	651178-8	SWITCH 1362.0112	O	1				
045-1	182563-9	HANDLE SET		1	*			
D10		INC. 36			*			
045-2	182607-5	HANDLE SET	S	1	*			
D10		INC. 36			*			

Please order the parts with part number.

Print Date 18/6/2019

Model No.9027S DISC GRINDER 180MM

Item	Parts No.	Description	I/C	Qty	New/Old	Opt. 1	Opt. 2	Note
045-3	182824-7	HANDLE SET	S	1				
D10		INC. 36						
046	645214-0	NOISE SUPPRESSOR		1	*			
046-1	645088-9	NOISE SUPPRESSOR	O	1				
047-1	191957-7	A.C. CARBON BRUSH CB-204		1				
048	643700-5	BRUSH HOLDER CAP 7-18		2				
049-1	819095-0	MAKITA MARK		1				
051	539100-4	RESISTOR ASS'Y 200/220/240V		1				
052	818160-2	INDICATION LABEL		1				
A01A_	782407-9	LOCK NUT WRENCH 35		1				
A02	818161-0	INDICATION LABEL		1				
B06	182943-9	SPIRAL BEVEL GEAR SET		1				
D10		INC. 9,20						
E05	536011-4	LEAD ASS'Y (BITTER ORANGE)		1				
E06	536012-2	LEAD ASS'Y (PURPLE)		1				
E07	654552-9	INSULATED CONNECTOR FTC-1.25		2	*			
E07-1	654552-9	INSULATED CONNECTOR FTC-1.25	O	2				

Please order the parts with part number.

Print Date 18/6/2019