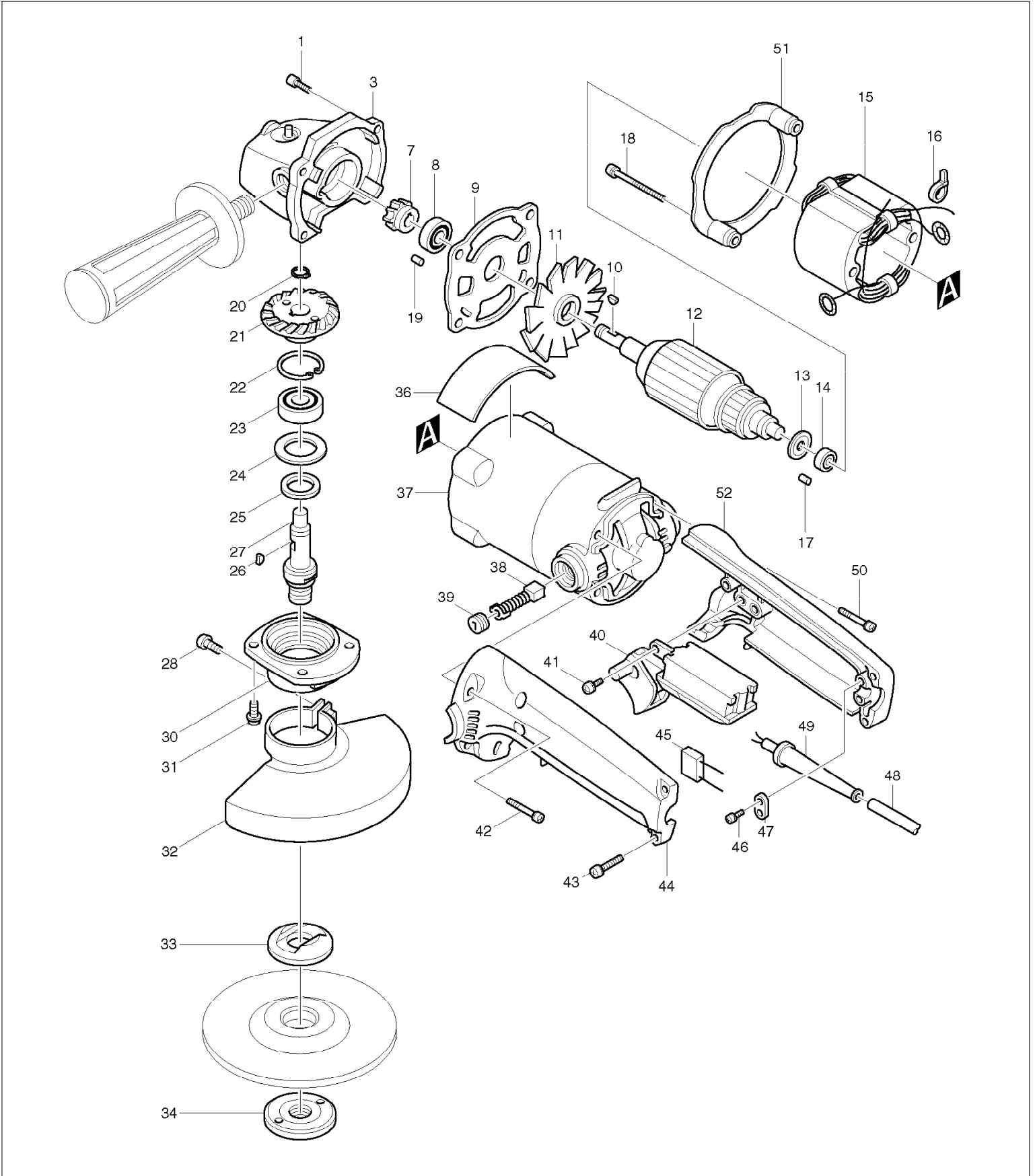


# SERVICE DRAWING

MODEL NO. 9005B



# SPARE PARTS LIST

MODEL NO. 9005B

ITEM	PART NO.	DESCRIPTION	QTY	NOTE
001	911241-2	PAN HEAD SCREW M5X25	4	
002	341680-6	TOOL REST	1	
003	*****	*****	***	*****
007	181737-9	SPIRAL BEVEL GEAR SET	1	
008	*****	*****	***	*****
009	341681-4	PLATE	1	
010	254002-0	WOODRUFF KEY 3	1	
011	241517-6	FAN 70	1	
012	516093-2	ARMATURE ASS'Y 220V	1	
013	681613-2	INSULATION WASHER	1	
014	*****	*****	***	*****
015	522673-4	FIELD ASS'Y 220V	1	
016	687010-0	BAND	1	
017	263014-2	RUBBER PIN 4	1	
018	911290-9	PAN HEAD SCREW M5X65	2	
019	263002-9	RUBBER PIN 4	1	
020	961052-5	RETAINING RING S-12	1	
021	181737-9	SPIRAL BEVEL GEAR SET	1	
022	962151-6	RETAINING RING R-32	1	
023	*****	*****	***	*****
024	*****	*****	***	*****
025	443051-4	FELT RING 20	1	
026	254002-0	WOODRUFF KEY 3	1	
027	321341-4	SPINDLE	1	
028	251259-4	+ PAN HEAD SCREW M5X16	1	
030	315282-4	BEARING BOX	1	
031	*****	*****	***	*****
032	134440-1	WHEEL COVER 125 ASS'Y	1	
033	*****	*****	***	*****
034	*****	*****	***	*****
036	854116-1	NAME PLATE 9005B	1	
037	156734-4	MOTOR HOUSING	1	
038	181030-1	CARBON BRUSH CB-100	1	
039	643600-9	BRUSH HOLDER CAP 6-10	2	
040	651128-3	SWITCH C3D-15AS	1	
041	911113-1	PAN HEAD SCREW M4X10	2	
042	911248-8	PAN HEAD SCREW M5X28	2	
043	911143-2	PAN HEAD SCREW M4X22	3	
044	*****	*****	***	*****
045	645200-1	NOISE SUPPRESSOR	1	
046	*****	*****	***	*****
047	*****	*****	***	*****
048	665865-3	POWER SUPPLY CORD 1.0-2-2.5	1	
049	682540-6	CORD GUARD 9.3-90	1	
050	911248-8	PAN HEAD SCREW M5X28	2	
051	411876-4	BAFFLE PLATE	1	
052	*****	*****	***	*****
400	152492-0	GRIP 36 COMPLETE	1	
401	794046-3	DEPRESSED CENTER WHEEL 125-24	1	
402	782407-9	LOCK NUT WRENCH 35	1	
903	687051-6	STRAIN RELIEF	1	

# SPARE PARTS LIST

---

MODEL NO. 9005B

ITEM	PART NO.	DESCRIPTION	QTY	NOTE
904	819001-5	MAKITA LABEL	1	

---