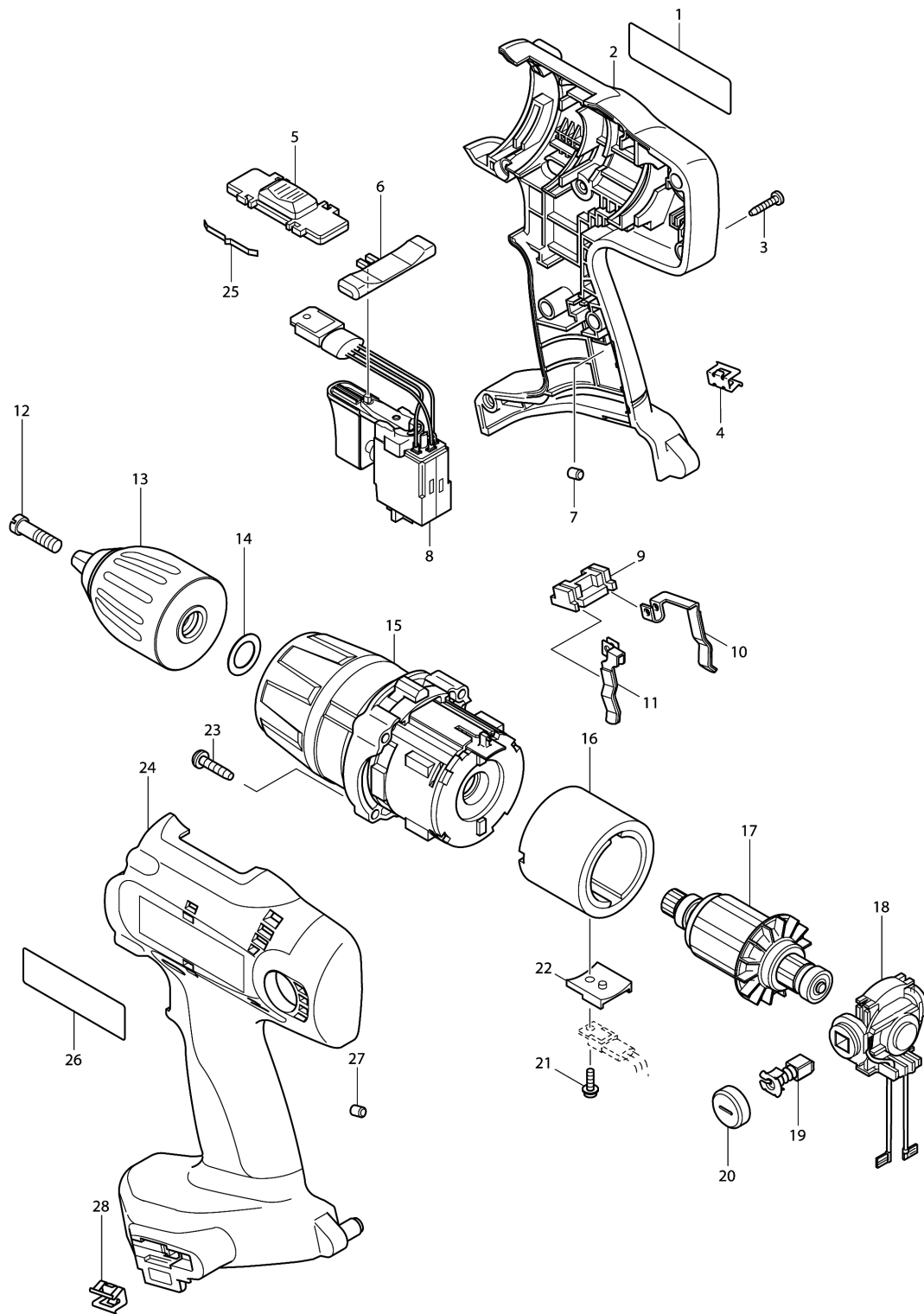


Model No.8444D CORDLESS PERCUSSN-DRIVER DRILL



Model No.8444D CORDLESS PERCUSSN-DRIVER DRILL

Item	Parts No.	Description	I/C	Qty	New/Old	Opt. 1	Opt. 2	Note
001	860958-3	NAME PLATE 8444D		1	*			
001-1	861584-1	NAME PLATE 8444D	O	1	*			
001-2	861460-9	NAME PLATE 8444D	<	1	*			
001-3	861584-1	NAME PLATE 8444D	<	1				
002	183872-9	HOUSING SET		1	*			
D10		INC. 24,26			*			
002-1	183846-0	HOUSING SET	<	1				
D10		INC. 24						
003	266130-9	TAPPING SCREW BIND PT 3X16		9				
004	344391-2	BIT HOLDER		1				
005	125261-2	SPEED CHANGE LEVER ASS'Y		1	*			
005-1	125316-3	SPEED CHANGE LEVER ASS'Y	<	1	*			
005-2	125435-5	SPEED CHANGE LEVER ASS'Y	<	1				
006	418753-1	F/R CHANGE LEVER		1				
007	263024-9	RUBBER PIN 4		1				
008	650559-3	SWITCH C3LA-2A-ED		1				
009	687085-9	HOLDER		1				
010	654168-0	SPRING TERMINAL (+)		1				
011	654169-8	SPRING TERMINAL (-)		1				
012	251464-3	- FLAT HEAD SCREW M6X22		1				
013	763188-4	KEYLESS DRILL CHUCK 13		1	*			
013-1	763199-9	KEYLESS DRILL CHUCK 13	<	1				
014	253798-0	FLAT WASHER 13		1				
015	125263-8	GEAR ASS'Y		1	*			
C10	418763-8	SPEED CHANGE RING		1	*			
C20	268088-8	PIN 1.2		2	*			
015-1	125339-1	GEAR ASS'Y	<	1	*			
C10	419558-2	SPEED CHANGE RING		1	*			
C20	268088-8	PIN 1.2		2	*			
C30	419557-4	CHANGE LEVER		1	*			
015-2	125428-2	GEAR ASS'Y	S	1				
C10	419558-2	SPEED CHANGE RING		1				
C20	268199-9	PIN 1.4		2				
C30	450385-8	CHANGE LEVER		1				
016	638376-1	YOKE UNIT		1	*			
016-1	638627-2	YOKE UNIT	O	1				
017	629831-4	ARMATURE		1				
018	638375-3	ENDBELL COMPLETE		1	*			
018-1	638916-5	ENDBELL COMPLETE	<	1				
019	191971-3	CARBON BRUSH CB-430		1				
020	643929-3	BRUSH HOLDER CAP		2				
021	266282-6	TAPPING SCREW ST3X10		1				

Please order the parts with part number.

Print Date 18/6/2019

Model No.8444D CORDLESS PERCUSSN-DRIVER DRILL

Item	Parts No.	Description	I/C	Qty	New/Old	Opt. 1	Opt. 2	Note
022	689136-4	FET SPACER		1				
023	266045-0	TAPPING SCREW 4X20		4				
024	183872-9	HOUSING SET		1	*			
D10		INC. 2,26			*			
024-1	183846-0	HOUSING SET	<	1				
D10		INC. 2						
025	232220-0	LEAF SPRING		1	*			
025-1	232220-0	LEAF SPRING	O	2				
026	819001-5	MAKITA LABEL		1	*			
027	263024-9	RUBBER PIN 4		1				
028	344391-2	BIT HOLDER		1				
A01	122576-8	STOPPER POLE ASS'Y		1				
C10	286226-0	CAP 20		1				
C20	322223-3	DEPTH ROD		1				
A02	122711-8	GRIP ASS'Y		1	*			
C10	152624-9	GRIP 36 COMPLETE		1	*			
C20	266349-0	SQUARE BOLT M8X50		1	*			
C30	345463-6	GRIP SPRING 60		1	*			
C40	418768-8	GRIP BASE		1	*			
C50	251812-6	SCREW M5X10		1	*			
C60	931202-6	HEX. NUT M5		1	*			
A02-1	122711-8	GRIP ASS'Y	O	1	*			
C10	152624-9	GRIP 36 COMPLETE		1	*			
C20	266349-0	SQUARE BOLT M8X50		1	*			
C30	345463-6	GRIP SPRING 60		1	*			
C40	418768-8	GRIP BASE		1	*			
C50	251812-6	SCREW M5X10		1	*			
C60	931202-6	HEX. NUT M5		1	*			
A02-2	122711-8	GRIP ASS'Y	<	1				
C10	152624-9	GRIP 36 COMPLETE		1				
C20	266349-0	SQUARE BOLT M8X50		1				
C30	345463-6	GRIP SPRING 60		1				
C40	418768-8	GRIP BASE		1				
C50	251812-6	SCREW M5X10		1				
C60	931202-6	HEX. NUT M5		1				
A03A	414938-7	BATTERY COVER		2				
A03B	414938-7	BATTERY COVER		3				
A04	***DC1804	DC1804 BATTERY CHARGER		1				
A05A	193061-8	BATTERY 1835 SET		2				
A05B	193061-8	BATTERY 1835 SET		3				
A06	784637-8	+/- BIT 2-45		2				
A07	824626-2	PLASTIC CARRYING CASE		1				

Please order the parts with part number.

Print Date 18/6/2019

Model No.8444D CORDLESS PERCUSSN-DRIVER DRILL

Item	Parts No.	Description	I/C	Qty	New/Old	Opt. 1	Opt. 2	Note
C10	419655-4	LATCH		2				

Please order the parts with part number.

Print Date 18/6/2019