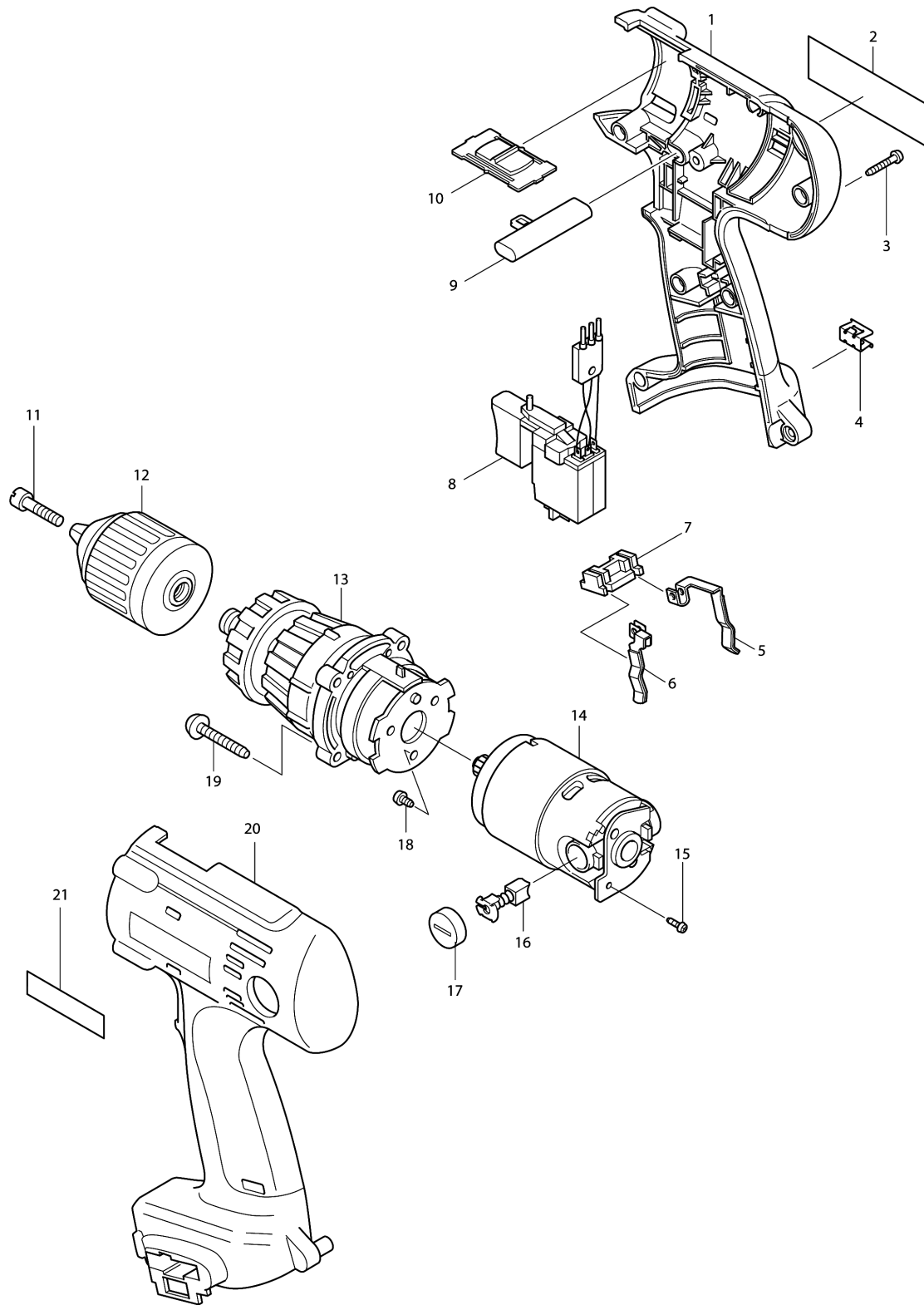


Model No.8433D CORDLESS PERCUSSION-DRIVER DRILL



Model No.8433D CORDLESS PERCUSSN-DRIVER DRILL

Item	Parts No.	Description	I/C	Qty	New/Old	Opt. 1	Opt. 2	Note
001	183203-2	HOUSING SET		1	*			
D10		INC. 20			*			
001-1	183207-4	HOUSING SET	X	1				
C10	263024-9	RUBBER PIN 4		2				
D10		INC. 20,21						
002	852121-2	NAME PLATE 8433D		1	*			
002-1	853580-3	NAME PLATE 8433D	O	1				
003	266130-9	TAPPING SCREW BIND PT 3X16		8				
004	344391-2	BIT HOLDER		2				
005	654168-0	SPRING TERMINAL (+)		1	*			
005-1	654168-0	SPRING TERMINAL (+)	<	1				
006	654169-8	SPRING TERMINAL (-)		1	*			
006-1	654169-8	SPRING TERMINAL (-)	<	1				
007	687085-9	HOLDER		1				
008	651939-6	SWITCH C3LA-1A		1	*			
008-1	651939-6	SWITCH C3LA-1A	O	1				
009	416079-5	F/R CHANGE LEVER		1				
010	125091-1	SPEED CHANGE LEVER ASS'Y		1				
011	251465-1	- FLAT HEAD SCREW M6X32		1	*			
011-1	251464-3	- FLAT HEAD SCREW M6X22	S	1				
012	193064-2	KEYLESS DRILL CHUCK 13		1	*			
012-1	193550-3	KEYLESS DRILL CHUCK 13	S	1	*			
012-2	763175-3	KEYLESS DRILL CHUCK 13	O	1	*			
012-3	766027-7	KEYLESS DRILL CHUCK 13	O	1				
013	125099-5	GEAR ASS'Y		1	*			
C10	417381-9	CHANGE LEVER		1	*			
013-1	125165-8	GEAR ASS'Y	<	1				
C10	417381-9	CHANGE LEVER		1				
014	629734-2	DC MOTOR 14.4V		1				
C10	226361-2	SPUR GEAR 20		1				
D10		INC. 16,17						
015	911006-2	PAN HEAD SCREW M3X8		1				
016	191971-3	CARBON BRUSH CB-430		1				
017	643929-3	BRUSH HOLDER CAP		2				
018	266134-1	TAPPING SCREW ST 4X8		3				
019	265999-8	TAPPING SCREW 4X25		4				
020	183203-2	HOUSING SET		1	*			
D10		INC. 1			*			
020-1	183207-4	HOUSING SET	X	1				
C10	263024-9	RUBBER PIN 4		2				
D10		INC. 1,21						
021	819063-3	MAKITA LABEL		1				

Please order the parts with part number.

Print Date 18/6/2019

Model No.8433D CORDLESS PERCUSSN-DRIVER DRILL

Item	Parts No.	Description	I/C	Qty	New/Old	Opt. 1	Opt. 2	Note
A01	122576-8	STOPPER POLE ASS'Y		1				
C10	286226-0	CAP 20		1				
C20	322223-3	DEPTH ROD		1				
A02A	824525-8	PLASTIC CARRYING CASE		1				
C10	417075-6	LATCH		2				
A02C	824525-8	PLASTIC CARRYING CASE		1	*			
C10	417075-6	LATCH		2	*			
A02D	824525-8	PLASTIC CARRYING CASE		1	*			
C10	417075-6	LATCH		2	*			
A02E	824525-8	PLASTIC CARRYING CASE		1	*			
C10	417075-6	LATCH		2	*			
A02-1C	824626-2	PLASTIC CARRYING CASE	<	1				
C10	419655-4	LATCH		2				
A02-1D	824626-2	PLASTIC CARRYING CASE	O	1				
C10	419655-4	LATCH		2				
A02-1E	824626-2	PLASTIC CARRYING CASE	<	1				
C10	419655-4	LATCH		2				
A03A	414938-7	BATTERY COVER		1				
A03C	414938-7	BATTERY COVER		2				
A03D	414938-7	BATTERY COVER		1				
A03E	414938-7	BATTERY COVER		1				
A04	784637-8	+/- BIT 2-45		2				
A05	122575-0	GRIP ASS'Y		1				
C10	152521-9	GRIP 36 COMPLETE		1				
C20	251812-6	SCREW M5X10		1				
C30	416680-6	GRIP BASE		1				
C40	921919-9	HEX. BOLT M8X110		1				
C50	931202-6	HEX. NUT M5		1				
A06A	192600-1	HIGH CAPACITY BATTERY 1422 SET		1				
A06C_C	193101-2	NI-MH(2.6A) BATTERY 1434 SET		2				
A06C_E	193101-2	NI-MH(2.6A) BATTERY 1434 SET		1				
A06D_D	193060-0	BATTERY 1435 SET		1				

Please order the parts with part number.

Print Date 18/6/2019