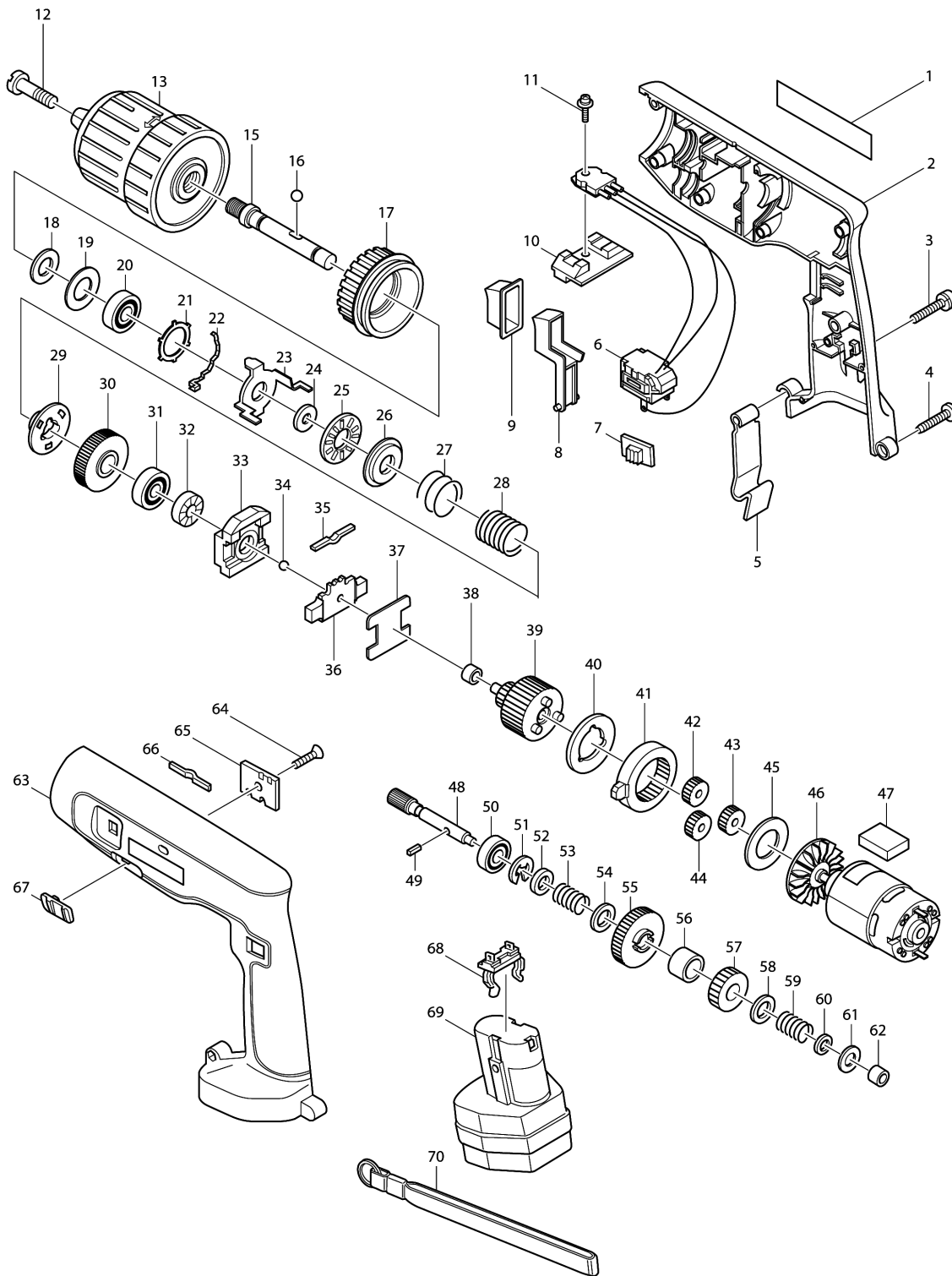


Model No.8412D CORDLESS PERCUSSION-DRIVER DRILL



Model No.8412D CORDLESS PERCUSSN-DRIVER DRILL

Item	Parts No.	Description	I/C	Qty	New/Old	Opt. 1	Opt. 2	Note
001	857341-3	NAME PLATE 8412D		1				
002A_	182823-9	HOUSING SET		1				
D10		INC. 63						
003	911138-5	PAN HEAD SCREW M4X20		1	*			
003-1	911143-2	PAN HEAD SCREW M4X22	X	1				
004A_	266121-0	TAPPING SCREW FLANGE PF 4X18		8	*			
004A1	265995-6	TAPPING SCREW 4X18	O	8				
005	343579-1	SET PLATE		1				
006	651926-5	SWITCH C3KL		1	*			
006-1	192944-9	SWITCH ASS'Y	O	1				
007	414740-8	LEVER		1				
008	415327-9	SWITCH LEVER		1				
009	421481-9	DUST COVER		1				
010	689027-9	RADIATING PLATE		1				
011	911013-5	PAN HEAD SCREW M3X10		1				
012A_	251460-1	- FLAT HEAD SCREW M6X22		1	*			
012A1	251464-3	- FLAT HEAD SCREW M6X22	O	1				
013	192284-5	LOCKING KEYLESS CHUCK 13		1				
014	231959-2	RING SPRING 6		1	*			
015	322621-1	SPINDLE		1	*			
015-1	322713-6	SPINDLE	X	1				
016	216011-7	STEEL BALL 5.6		1				
017	415555-6	CHANGE RING		1				
018	213115-6	DUST SEAL 12		1				
019	267114-0	FLAT WASHER 17		1				
020	211131-2	BALL BEARING 6001DDW		1				
021	259027-9	SELF LOCK 30		1				
022	344140-7	CAM PLATE		2				
023	344059-0	SLIDER		1				
024	267113-2	FLAT WASHER 12		1				
025	216402-2	THRUST NEEDLE GAUGE 1224		1				
026	267711-2	WASHER 12		1				
027	233090-0	COMPRESSION SPRING 29		1				
028	233056-0	COMPRESSION SPRING 23		1				
029	223096-6	CLUTCH CAM		1				
030	226262-4	SPUR GEAR 55		1				
031	211101-1	BALL BEARING 6001LLB		1				
032	223085-1	CAM B		1				
033	153226-4	CAM HOLDER COMPLETE		1				
034	216007-8	STEEL BALL 6.4		1				
035	232053-3	LEAF SPRING		1				
036	152450-6	SHIFTER PLATE COMPLETE		1				

Please order the parts with part number.

Print Date 18/6/2019

Model No.8412D CORDLESS PERCUSSN-DRIVER DRILL

Item	Parts No.	Description	I/C	Qty	New/Old	Opt. 1	Opt. 2	Note
037	344061-3	PLATE		1				
038	214019-5	PLANE BEARING 4		1				
039	153213-3	GEAR COMPLETE		1				
040	267098-2	FLAT WASHER 16		1				
041	226248-8	INTERNAL GEAR 48		1				
042	226245-4	SPUR GEAR 15		1				
043	226245-4	SPUR GEAR 15		1				
044	226245-4	SPUR GEAR 15		1				
045	253794-8	FLAT WASHER 18		1				
046	629667-1	DC MOTOR 12V		1				
C10	221882-9	SPUR GEAR 15		1				
C20	241871-8	FAN 44		1				
047	413065-7	SPONGE 20-26		1				
048	226263-2	SPUR GEAR 9		1				
049	254236-5	KEY 3		1				
050	211031-6	BALL BEARING 608LLB		1				
051	961013-5	STOP RING E-7		1				
052	253777-8	FLAT WASHER 8		1				
053	233104-5	COMPRESSION SPRING 8		1				
054	253339-2	THIN WASHER 8		1				
055	226247-0	SPUR GEAR 40		1				
056	257178-2	RING 12		1				
057	226261-6	SPUR GEAR 25		1				
058	253339-2	THIN WASHER 8		1				
059	231025-5	COMPRESSION SPRING 8		1				
060	267099-0	FLAT WASHER 4		1				
061	267111-6	FLAT WASHER 4		1				
062	211044-7	BALL BEARING 694		1				
063A_	182823-9	HOUSING SET		1				
D10		INC. 2						
064	265007-5	+COUNTERSUNK HEAD SCREW M4X12		1				
065	343987-6	STOPPER		1				
066	232053-3	LEAF SPRING		1				
067	415014-0	LEVER		1				
068	643918-8	BATTERY HOLDER		1				
069C_	192536-4	BATTERY 1202 SET		1				
A02	414938-7	BATTERY COVER		1				
A03A_	784202-3	PHILLIPS BIT 2-45		1	*			
A03A1	784202-3	PHILLIPS BIT 2-45	O	1	*			
A03A2	784637-8	+-- BIT 2-45	X	1				
A04A_	182821-3	PLASTIC CARRYING CASE		1				
C10	819033-2	MAKITA LABEL		1	*			

Please order the parts with part number.

Print Date 18/6/2019

Model No.8412D CORDLESS PERCUSSN-DRIVER DRILL

Item	Parts No.	Description	I/C	Qty	New/Old	Opt. 1	Opt. 2	Note
C11	819143-5	MAKITA LABEL	<	1				

Please order the parts with part number.

Print Date 18/6/2019