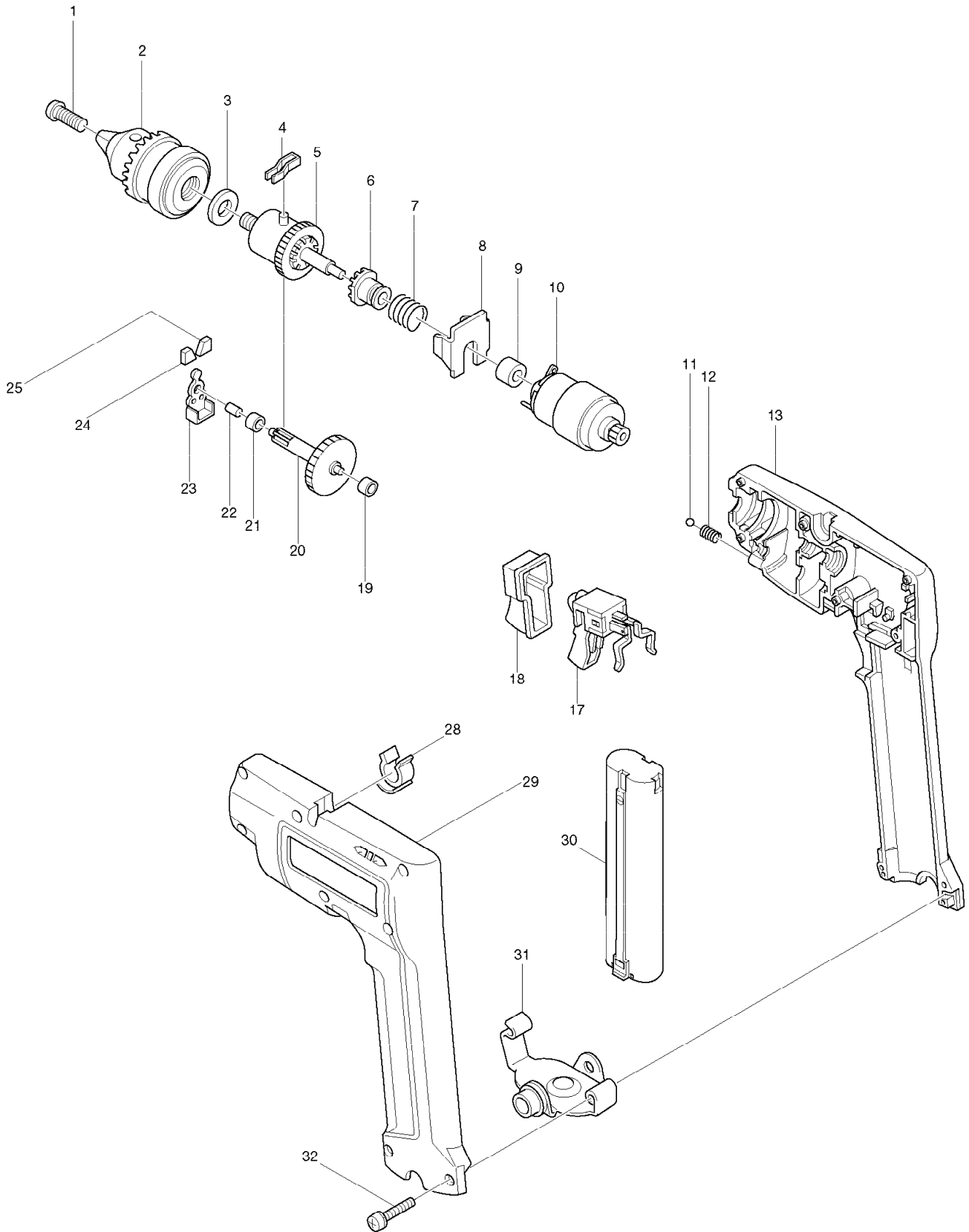


SERVICE DRAWING

MODEL NO. 8400D



SPARE PARTS LIST

MODEL NO. 8400D

ITEM	PART NO.	DESCRIPTION	QTY	NOTE
001	251448-1	- PAN HEAD SCREW M5X18	1	
002	192879-4	DRILL CHUCK	1	
003	423097-6	RUBBER PLATE	1	
004	342668-9	GUIDE PLATE	1	
005	153147-0	SPINDLE COMPLETE	1	
006	223063-1	CLUTCH CAM	1	
007	231352-0	COMPRESSION SPRING 17	1	
008	342669-7	RETAINER	1	
009	214014-5	PLANE BEARING 6	1	
010	629574-8	DC MOTOR 9.6V	1	
011	216002-8	STEEL BALL 4.8	1	
012	231026-3	COMPRESSION SPRING 4	1	
013	182376-8	HOUSING SET	1	
015	410192-1	RELAY COVER	1	
016	539036-7	OVER CURRENT RELAY	1	
017	531044-4	SWITCH ASS'Y	1	
018	421243-5	DUST COVER	1	
019	214019-5	PLANE BEARING 4	1	
020	226067-2	GEAR COMPLETE 17-76	1	
021	214019-5	PLANE BEARING 4	1	
022	256047-4	PIN 6	1	
023	164702-3	CHANGE LEVER	1	
024	423030-8	RUBBER PLUG	1	
025	423030-8	RUBBER PLUG	1	
027	854941-0	NAME PLATE 8400D	1	
028	411640-3	HOLDER 6	1	
029	182376-8	HOUSING SET	1	
030	191681-2	BATTERY 9000	1	
031	*****	*****	***	*****
032	911143-2	PAN HEAD SCREW M4X22	8	
033	410192-1	RELAY COVER	1	Y01038
400	181607-2	STEEL CARRYING CASE	1	
401	763415-9	CHUCK KEY S10	1	
402	414938-7	BATTERY COVER	1	