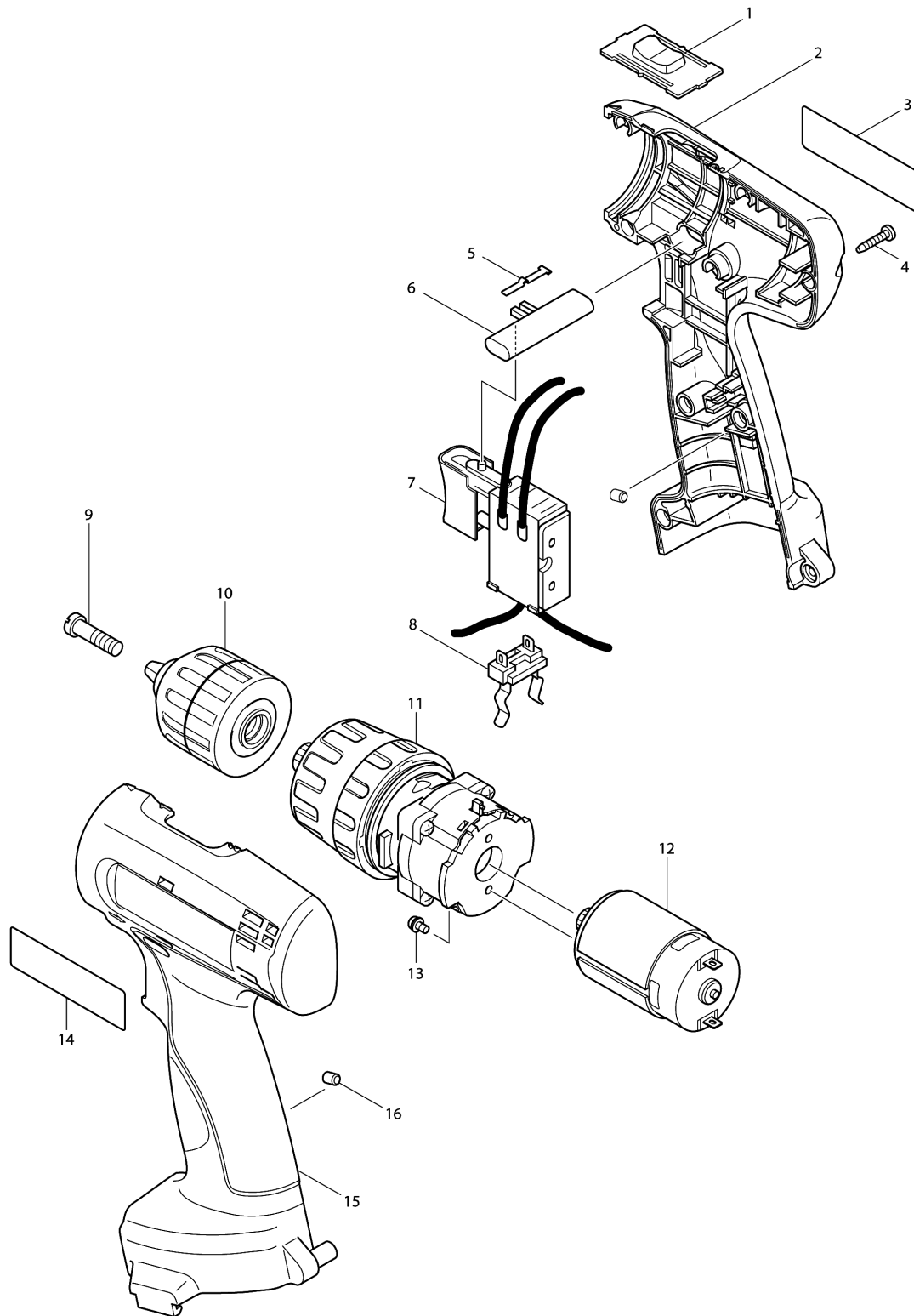


Model No.8270D CORDLESS PERCUSSN-DRIVER DRILL



Model No.8270D CORDLESS PERCUSSN-DRIVER DRILL

Item	Parts No.	Description	I/C	Qty	New/Old	Opt. 1	Opt. 2	Note
001	125102-2	SPEED CHANGE LEVER ASS'Y		1				
002	183794-3	HOUSING SET		1	*			
D10		INC. 14,15			*			
002-1	183823-2	HOUSING SET	<	1				
D10		INC. 15						
003	860977-9	NAME PLATE 8270D		1	*			
003-1	860977-9	NAME PLATE 8270D	<	1				
004	266130-9	TAPPING SCREW BIND PT 3X16		9				
005	232182-2	LEAF SPRING		1				
006	417283-9	F/R CHANGE LEVER		1				
007	650556-9	SWITCH C3NA-1-M1		1				
008	643909-9	BATTERY HOLDER		1				
009	251468-5	- FLAT HEAD SCREW M6X22		1				
010	763187-6	KEYLESS DRILL CHUCK 10		1				
011	125259-9	GEAR ASS'Y		1				
012	629821-7	DC MOTOR		1				
013	911003-8	PAN HEAD SCREW M3X6		2				
014	819001-5	MAKITA LABEL		1	*			
015	183794-3	HOUSING SET		1	*			
D10		INC. 2,14			*			
015-1	183823-2	HOUSING SET	<	1				
D10		INC. 2						
016	263024-9	RUBBER PIN 4		2				
A01C	414938-7	BATTERY COVER		2				
A01D	414938-7	BATTERY COVER		3				
A02	***DC1414	DC1414 BATTERY CHARGER		1				
A03C	192597-4	BATTERY 1222 SET		2				
A03D	784636-0	+/- BIT 2-65		1				
A04C	784636-0	+/- BIT 2-65		1				
A04D	824635-1	PLASTIC CARRYING CASE		1	*			
C10	186347-7	SLIDE LATCH SET		1	*			
C20	819143-5	MAKITA LABEL		1	*			
A04-1D	824652-1	PLASTIC CARRYING CASE	<	1				
C10	186347-7	SLIDE LATCH SET		1				
C20	819143-5	MAKITA LABEL		1				
A05C	824635-1	PLASTIC CARRYING CASE		1				
C10	186347-7	SLIDE LATCH SET		1				
C20	819143-5	MAKITA LABEL		1				
A05D	193981-6	BATTERY PA12 SET		3				

Please order the parts with part number.

Print Date 18/6/2019

