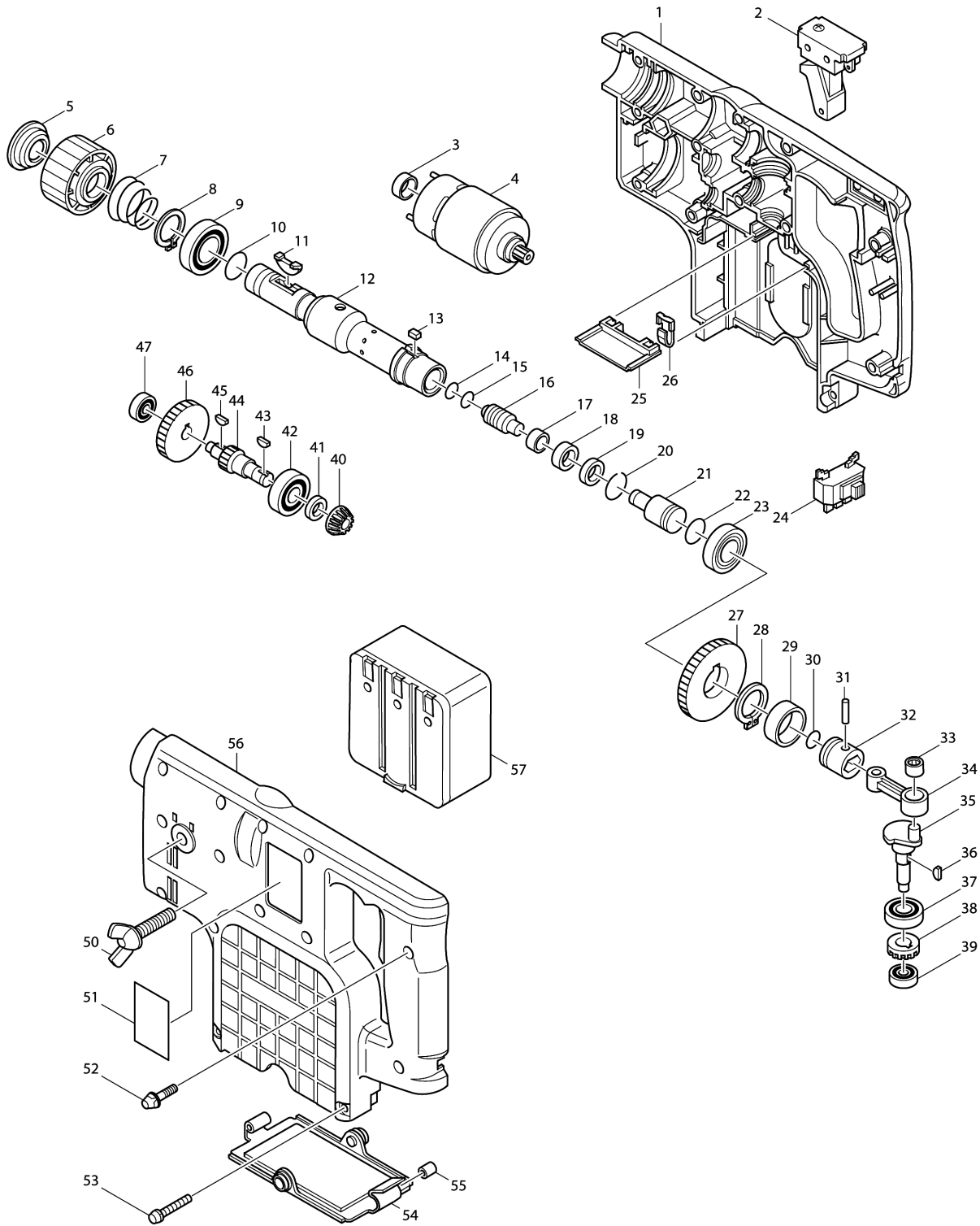


Model No.8015D CORDLESS ROTARY HAMMER



Model No.8015D CORDLESS ROTARY HAMMER

| Item | Parts No. | Description | I/C | Qty | New/Old | Opt. 1 | Opt. 2 | Note |
|-------|-----------|-----------------------------|-----|-----|---------|--------|--------|------|
| 001-1 | 182488-7 | HOUSING SET | | 1 | | | | |
| D10 | | INC. 56-1 | | | | | | |
| 002 | 531052-5 | SWITCH ASS'Y C3BE-AJ-1 | | 1 | | | | |
| 003 | 286225-2 | CAP 17 | | 1 | | | | |
| 004 | 629571-4 | DC MOTOR 10.8V | | 1 | | | | |
| C10 | 213027-3 | OIL SEAL 7 | | 1 | | | | |
| C20 | 221975-2 | SPUR GEAR 11 | | 1 | | | | |
| 005 | 286220-2 | CAP 34 | | 1 | | | | |
| 006-1 | 414483-2 | CHANGE RING | | 1 | | | | |
| 007 | 231937-2 | CONICAL COMPR. SPRING 21-29 | | 1 | | | | |
| 008 | 961060-6 | RETAINING RING S-20 | | 1 | | | | |
| 009 | 211323-3 | BALL BEARING 6904LLU | | 1 | | | | |
| 010 | 213064-7 | O RING 10 | | 1 | | | | |
| 011-2 | 322310-8 | KEY 4 | | 2 | | | | |
| 012 | 322184-7 | CYLINDER LINER 20 | | 1 | | | | |
| 013 | 254201-4 | KEY 4 | | 1 | | | | |
| 014 | 213063-9 | O RING 10 | | 1 | | | | |
| 015 | 213063-9 | O RING 10 | | 1 | | | | |
| 016 | 321913-5 | IMPACT BOLT | | 1 | | | | |
| 017 | 262038-5 | RUBBER RING 17 | | 1 | | | | |
| 018 | 322214-4 | IDLER | | 1 | | | | |
| 019 | 257152-0 | RING 13.5 | | 1 | | | | |
| 020 | 231944-5 | RING SPRING 18 | | 1 | | | | |
| 021 | 321911-9 | STRIKER | | 1 | | | | |
| 022 | 213214-4 | O RING 16 | | 1 | | | | |
| 023 | 213418-8 | OIL SEAL 28 | | 1 | | | | |
| 024 | 531054-1 | SWITCH ASS'Y C3BC | | 1 | | | | |
| 025 | 414164-8 | PLATE | | 1 | | | | |
| 026 | 654083-8 | SPRING TERMINAL | | 2 | | | | |
| 027 | 221976-0 | SPUR GEAR 53 | | 1 | | | | |
| 028 | 961105-0 | RETAINING RING S-25 | | 1 | | | | |
| 029 | 214355-9 | PLANE BEARING 25 | | 1 | | | | |
| 030 | 213214-4 | O RING 16 | | 1 | | | | |
| 031 | 256123-4 | PIN 5 | | 1 | | | | |
| 032 | 321483-4 | PISTON | | 1 | | | | |
| 033 | 212005-0 | NEEDLE BEARING 810 | | 1 | | | | |
| 034 | 321489-2 | ROD | | 1 | | | | |
| 035 | 322183-9 | CRANK SHAFT | | 1 | | | | |
| 036 | 254031-3 | WOODRUFF KEY 3 | | 1 | | | | |
| 037 | 211204-1 | BALL BEARING 6002 | | 1 | | | | |
| 038 | 221383-7 | STRAIGHT BEVEL GEAR 21 | | 1 | | | | |
| 039 | 211019-6 | BALL BEARING 626 | | 1 | | | | |

Please order the parts with part number.

Print Date 18/6/2019

Model No.8015D CORDLESS ROTARY HAMMER

| Item | Parts No. | Description | I/C | Qty | New/Old | Opt. 1 | Opt. 2 | Note |
|-------|-----------|------------------------|-----|-----|---------|--------|--------|------|
| 040 | 221383-7 | STRAIGHT BEVEL GEAR 21 | | 1 | | | | |
| 041 | 257151-2 | RING 10 | | 1 | | | | |
| 042 | 211064-1 | BALL BEARING 6000 | | 1 | | | | |
| 043 | 254031-3 | WOODRUFF KEY 3 | | 1 | | | | |
| 044 | 221977-8 | SPUR GEAR 12 | | 1 | | | | |
| 045 | 254031-3 | WOODRUFF KEY 3 | | 1 | | | | |
| 046 | 221978-6 | SPUR GEAR 54 | | 1 | | | | |
| 047 | 211019-6 | BALL BEARING 626 | | 1 | | | | |
| 048 | 818057-5 | LABEL | | 1 | * | | | |
| 050 | 271284-9 | KNOB 40 | | 1 | * | | | |
| 050-1 | 251881-7 | WING BOLT M8X40 | | 1 | | | | |
| 051 | 856167-0 | NAME PLATE 8015D | | 1 | | | | |
| 052-1 | 911253-5 | PAN HEAD SCREW M5X30 | | 12 | | | | |
| 053 | 911278-9 | PAN HEAD SCREW M5X55 | | 2 | | | | |
| 054 | 168202-5 | SET PLATE | | 1 | | | | |
| 055 | 257622-9 | SLEEVE 5 | | 1 | | | | |
| 056-1 | 182488-7 | HOUSING SET | | 1 | | | | |
| D10 | | INC. 1-1 | | | | | | |
| 057 | 191592-1 | BATTERY 1000 SET | | 1 | | | | |
| C10 | 817761-3 | CAUTION LABEL | | 1 | * | | | |
| 400 | 181573-3 | GREASE VESSEL 93G | | 1 | * | | | |
| 400-1 | 181573-3 | GREASE VESSEL 93G | O | 1 | | | | |
| 401 | 158031-4 | DEPTH GAUGE COMPLETE | | 1 | | | | |
| 402 | 421342-3 | DUST CUP 5 | | 1 | | | | |
| 403 | 182037-0 | STEEL CARRYING CASE | | 1 | | | | |

Please order the parts with part number.

Print Date 18/6/2019