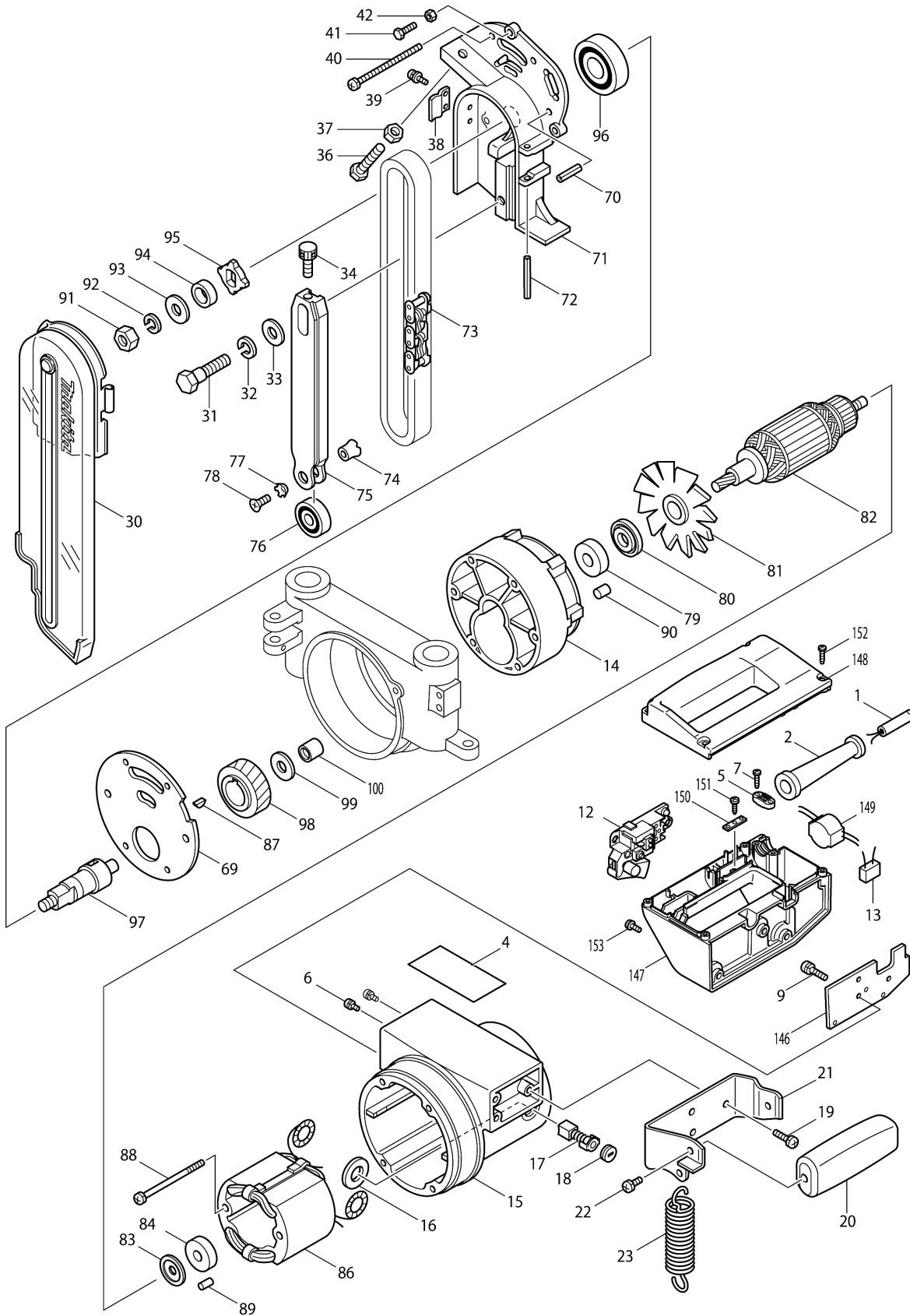


Model No.7104L CHAIN MORTISER



Model No.7104L CHAIN MORTISER

Item	Parts No.	Description	I/C	Qty	New/Old	Opt. 1	Opt. 2	Note
001H_	665263-1	POWER SUPPLY CORD 1.00-3-5.0		1				
002D_	682573-1	CORD GUARD 10		1				
005D_	687053-2	STRAIN RELIEF		1				
006	652014-1	PAN HEAD SCREW M4X8		2				
007B_	265995-6	TAPPING SCREW 4X18		2				
009	911226-8	PAN HEAD SCREW M5X18		3				
012A_	651057-0	SWITCH TG71CL-2		1				
013B_	645261-1	NOISE SUPPRESSOR		1				
014	157044-2	GEAR HOUSING		1				
D10		INC. 90						
015B_	154627-9	MOTOR HOUSING COMPLETE		1	*			
C10	643653-8	BRUSH HOLDER 6.5-13.5		2	*			
C20	913206-0	SET SCREW M5X8		2	*			
D10		INC. 89			*			
015B1	142200-7	MOTOR HOUSING COMPLETE	<	1				
C10	643653-8	BRUSH HOLDER 6.5-13.5		2				
C20	913206-0	SET SCREW M5X8		2				
D10		INC. 89						
016	681002-1	INSULATION WASHER		2				
017-1	181044-0	CARBON BRUSH CB-153		1				
018	643650-4	BRUSH HOLDER CAP 6.5-13.5		2	*			
018-1	643650-4	BRUSH HOLDER CAP 6.5-13.5	O	2				
019	911226-8	PAN HEAD SCREW M5X18		3				
020	273416-4	GRIP 25		1				
021	341571-1	GRIP HOLDER L		1				
022	911206-4	PAN HEAD SCREW M5X10		2				
023	231747-7	TENSION SPRING 20		1				
024	265254-8	HEX. BOLT M8X44		1				
025-1	931402-8	HEX. NUT M8		1				
026	331162-6	LEVER C		1				
027	231551-4	TORSION SPRING 12		1				
028	256114-5	PIN 10		1				
029	951116-3	SPRING PIN 4-20		1				
030A_	154397-0	CHAIN COVER		1				
031	265253-0	HEX. BOLT M10		1				
032	942253-4	SPRING WASHER 10		1				
033	941252-3	FLAT WASHER 10		1				
034	251852-4	SCREW M8X28		1				
035	951116-3	SPRING PIN 4-20		1				
036	265254-8	HEX. BOLT M8X44		1				
037-1	931402-8	HEX. NUT M8		1				
038	232068-0	LEAF SPRING		1				

Please order the parts with part number.

Print Date 25/3/2020

Model No.7104L CHAIN MORTISER

Item	Parts No.	Description	I/C	Qty	New/Old	Opt. 1	Opt. 2	Note
039	911109-2	PAN HEAD SCREW M4X8		2				
040	911908-2	PAN HEAD SCREW M5X80		4				
041	921222-8	HEX. BOLT M5X16		3				
042	931202-6	HEX. NUT M5		3				
043	951172-3	SPRING PIN 5-32		1				
044A	310172-6	ROTOR HOLDER		1	*			
044A1	310546-1	ROTOR HOLDER	<	1				
045	253042-5	FLAT WASHER 24		2				
046	951213-5	SPRING PIN 6-24		1				
047	951116-3	SPRING PIN 4-20		1				
048	261022-7	RUBBER WASHER 24		2				
049	951181-2	SPRING PIN 5-45		1				
050	315344-8	CARRY HANDLE		1	*			
050-1	319052-3	CARRY HANDLE	<	1				
051	325057-3	DEPTH GAUGE		1				
052	951151-1	SPRING PIN 5-12		1				
053	231543-3	TORSION SPRING 13		1				
054	257005-3	RING 8		1				
055	341585-0	HOOK		1				
056	251215-4	+ PAN HEAD SCREW M6		1				
057	252409-4	NUT M10-20		1				
058	924316-8	WING BOLT M6X15		1				
059	231005-1	COMPRESSION SPRING 7		1				
060-1	931402-8	HEX. NUT M8		1				
061	816045-6	INDICATION PLATE		1				
062	911109-2	PAN HEAD SCREW M4X8		2				
063	341588-4	INDICATOR PLATE		1				
064	911109-2	PAN HEAD SCREW M4X8		1				
065	154286-9	BASE COMPLETE		1	*			
C10	951172-3	SPRING PIN 5-32		2	*			
065-1	142198-8	BASE COMPLETE	<	1				
C10	951172-3	SPRING PIN 5-32		2				
066	253042-5	FLAT WASHER 24		2				
067	411723-9	BELLOWS		2				
068	231289-1	COMPRESSION SPRING 25		2				
069	341745-4	DISC		1				
070	951213-5	SPRING PIN 6-24		2				
071	311528-6	CHAIN BAR HOLDER		1	*			
071-1	310569-9	CHAIN BAR HOLDER	<	1				
072	951178-1	SPRING PIN 5-40		1				
073-1	A-16570	CUTTER CHAIN 16.5		1				
074	325330-1	HEAD SHAFT		1				

Please order the parts with part number.

Print Date 25/3/2020

Model No.7104L CHAIN MORTISER

Item	Parts No.	Description	I/C	Qty	New/Old	Opt. 1	Opt. 2	Note
075	133571-3	CHAIN BAR ASS'Y F/15-24MM		1				
D10		INC. 74,76-78						
076	211076-4	BALL BEARING 1008LL		1				
077	943152-3	TOOTHED LOCK WASHER 6		1				
078	251258-6	+ COUNTERSUNK HEAD SCREW M6X12		1				
079	211106-1	BALL BEARING 6201LLB		1				
080	213102-5	DUST SEAL 12		1				
081-1	241513-4	FAN 92		1				
082E_	516939-2	ARMATURE ASS'Y 240V		1				
D10		INC. 79,80,81-1,83,84						
083	213051-6	DUST SEAL 10		1				
084	211066-7	BALL BEARING 6200LLB		1				
086D_	524569-5	FIELD ASS'Y 240V		1				
C10	654020-2	RING TERMINAL		2				
C20	654502-4	CONNECTOR P-2		2				
087	254001-2	WOODRUFF KEY 4		1				
088-1	911300-2	PAN HEAD SCREW M5X75		2				
089	263002-9	RUBBER PIN 4		1				
090	263005-3	RUBBER PIN 6		1				
091-1	931502-4	HEX. NUT M10		1				
092	942253-4	SPRING WASHER 10		1				
093	941252-3	FLAT WASHER 10		1				
094	257017-6	RING 15		1				
095	221501-7	SPROCKET 4		1				
096	211311-0	BALL BEARING 6304LLB		1				
097	321373-1	SPINDLE		1				
098	221671-2	HELICAL GEAR 47		1				
099	253197-6	FLAT WASHER 10		1				
100	212066-0	NEEDLE BEARING 1015		1				
101	133014-5	LEVER 98 ASS'Y		1				
D10		INC. 126						
102	265235-2	HEX. BOLT M12X34		1				
103	315342-2	WISE ELEMENT		1	*			
103-1	319050-7	WISE ELEMENT	<	1				
104	321380-4	SCREW M14		1				
105	951116-3	SPRING PIN 4-20		1				
106	253180-3	FLAT WASHER 10		1				
107	231287-5	COMPRESSION SPRING 10		1				
108-1	951172-3	SPRING PIN 5-32		2				
109	154282-7	LEVER B COMPLETE		1				
C10	253808-3	FLAT WASHER 9		1				
C20	257075-2	RING 9		1				

Please order the parts with part number.

Print Date 25/3/2020

Model No.7104L CHAIN MORTISER

Item	Parts No.	Description	I/C	Qty	New/Old	Opt. 1	Opt. 2	Note
110	921421-2	HEX. BOLT M8X16		2				
111	341587-6	STOPPER		1				
112	941201-0	FLAT WASHER 8		2				
113	271610-2	KNOB 40		2				
114	341569-8	CLAMP LEVER		1				
115	256106-4	PIN 9		1				
116	951116-3	SPRING PIN 4-20		2				
117	257075-2	RING 9		1				
118	253808-3	FLAT WASHER 9		1				
119	256623-4	PIN 9		1				
120	253808-3	FLAT WASHER 9		1				
121	257561-3	SLEEVE 9		1				
122	231746-9	TENSION SPRING 9		1				
123	951110-5	SPRING PIN 4-16		1				
124	321381-2	SLIDE BAR		1				
125	951163-4	SPRING PIN 5-20		1				
126	911207-2	PAN HEAD SCREW M5X10		1				
127	321382-0	GUIDE POLE		1				
128	231286-7	COMPRESSION SPRING 36		1				
129	231285-9	COMPRESSION SPRING 48		1				
130	315216-7	WISE SHOE		1	*			
130-1	319049-2	WISE SHOE	<	1				
131	321232-9	WISE SHAFT		1				
132	253011-6	FLAT WASHER 6		1				
133	911356-5	PAN HEAD SCREW M6X35		1				
134	951166-8	SPRING PIN 5-24		1				
135	253808-3	FLAT WASHER 9		1				
136	315340-6	FRONT VICE		1	*			
136-1	319053-1	FRONT VICE	<	1				
137	257562-1	SLEEVE 9		1				
138	951116-3	SPRING PIN 4-20		1				
139	253180-3	FLAT WASHER 10		1				
140	961012-7	STOP RING E-6		1				
141	133201-6	HANDLE ASS'Y		1				
D10		INC 140,142,143						
142	271607-1	KNOB 20		1				
143	256614-5	PIN 8		1				
145	951184-6	SPRING PIN 5-50		2				
146	345600-2	HANDLE STAY		1				
147	419064-7	HANDLE		1				
148	419065-5	HANDLE COVER		1				
149	646346-6	LINE COIL		1				

Model No.7104L CHAIN MORTISER

Item	Parts No.	Description	I/C	Qty	New/Old	Opt. 1	Opt. 2	Note
150	654571-5	TERMINAL BLOCK		1				
151	266192-7	TAPPING SCREW 4X14		1				
152	265995-6	TAPPING SCREW 4X18		4				
153	911218-7	PAN HEAD SCREW M5X14		3				
404-1	182229-1	OIL SUPPLY 100CC		1				
D10		INC. 405						
405	242012-9	OIL SUPPLY NOZZLE		1				
406	781204-0	WRENCH 13-17		1				
708	689055-4	RING TERMINAL RETAINER 15.5		2				

Please order the parts with part number.

Print Date 25/3/2020