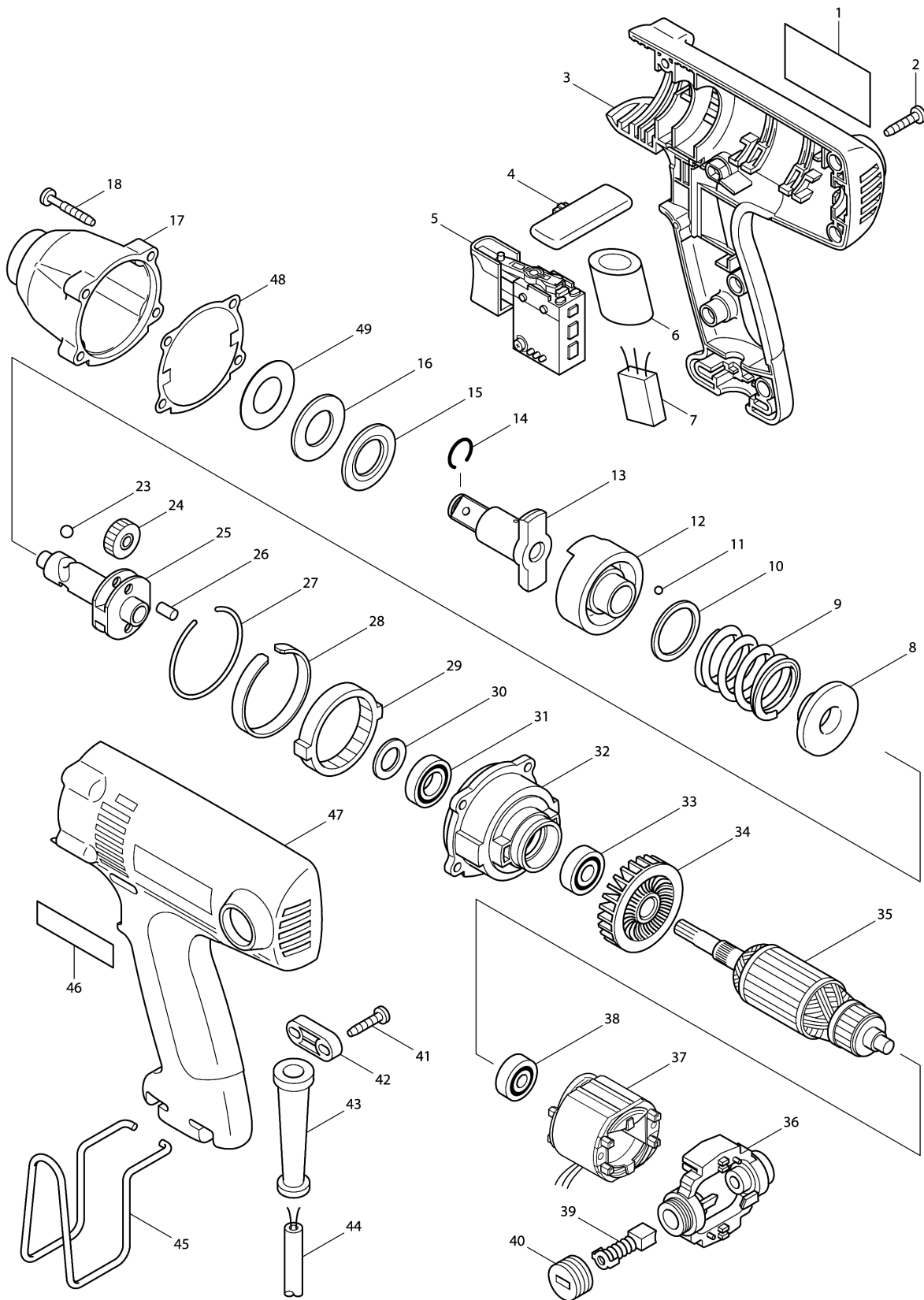


Model No.6953 IMPACT WRENCH



Model No.6953 IMPACT WRENCH

| Item | Parts No. | Description | I/C | Qty | New/Old | Opt. 1 | Opt. 2 | Note |
|-------|-----------|--------------------------------|-----|-----|---------|--------|--------|------|
| 001 | 853010-4 | NAME PLATE 6953 | | 1 | | | | |
| 002 | 265995-6 | TAPPING SCREW 4X18 | | 7 | | | | |
| 003 | 183394-9 | HOUSING SET | | 1 | | | | |
| C10 | 263002-9 | RUBBER PIN 4 | | 2 | | | | |
| D10 | | INC. 46,47 | | | | | | |
| 004 | 417553-6 | F/R CHANGE LEVER | | 1 | | | | |
| 005 | 650523-4 | SWITCH C3MA-DB | | 1 | | | | |
| 006 | 685722-9 | SPONGE | | 1 | | | | |
| 007 | 645253-0 | NOISE SUPPRESSOR | | 1 | | | | |
| 008 | 267759-4 | CUP WASHER 14 | | 1 | | | | |
| 009 | 233335-6 | COMPRESSION SPRING 25 | | 1 | | | | |
| 010 | 267175-0 | FLAT WASHER 24 | | 1 | | | | |
| 011 | 216001-0 | STEEL BALL 3.5 | | 25 | | | | |
| 012 | 324174-6 | HAMMER | | 1 | | | | |
| 013 | 324176-2 | ANVIL | | 1 | | | | |
| 014 | 231907-1 | RING SPRING 10 | | 1 | | | | |
| 015 | 267227-7 | FLAT WASHER 18 | | 1 | | | | |
| 016 | 261120-7 | RUBBER WASHER 18 | | 1 | | | | |
| 017 | 152827-5 | HAMMER CASE COMPLETE | | 1 | | | | |
| C10 | 213257-6 | OIL SEAL 18 | | 1 | | | | |
| C20 | 257714-4 | SLEEVE 18 | | 1 | | | | |
| 018 | 922156-8 | HEX. SOCKET HEAD BOLT M4X30 | | 4 | * | | | |
| 018-1 | 266295-7 | HEX. SOCKET HEAD BOLT M4X30 | < | 4 | | | | |
| 023 | 216011-7 | STEEL BALL 5.6 | | 2 | | | | |
| 024 | 227027-7 | SPUR GEAR 22 | | 2 | * | | | |
| 024-1 | 227233-4 | SPUR GEAR 22 | < | 2 | | | | |
| 025 | 324090-2 | SPINDLE | | 1 | | | | |
| 026 | 268070-7 | PIN 5 | | 2 | * | | | |
| 026-1 | 256253-1 | PIN 5 | O | 2 | | | | |
| 027 | 233910-8 | RING SPRING 43 | | 1 | | | | |
| 028 | 344991-8 | C-SLEEVE 45 | | 1 | | | | |
| 029 | 227001-5 | INTERNAL GEAR 51 | | 1 | | | | |
| 030 | 267212-0 | FLAT WASHER 12 | | 1 | | | | |
| 031 | 211140-1 | BALL BEARING 6901LLB | | 1 | | | | |
| 032 | 317428-8 | INTERNAL GEAR CASE | | 1 | | | | |
| 033 | 210024-0 | BALL BEARING 608LLU | | 1 | | | | |
| 034 | 240046-6 | FAN 46 | | 1 | | | | |
| 035 | 517554-5 | ARMATURE ASS'Y 230-240V | | 1 | | | | |
| D10 | | INC. 33,34,38 | | | | | | |
| 036 | 152990-4 | HOLDER ARM COMPLETE | | 1 | | | | |
| C10 | 643981-1 | BRUSH HOLDER 6X9 | | 2 | | | | |

Please order the parts with part number.

Print Date 3/6/2019

Model No.6953 IMPACT WRENCH

| Item | Parts No. | Description | I/C | Qty | New/Old | Opt. 1 | Opt. 2 | Note |
|-------|-----------|-----------------------------|-----|-----|---------|--------|--------|------|
| 037 | 635049-7 | FIELD 230-240V | | 1 | | | | |
| 038 | 211021-9 | BALL BEARING 607LLB | | 1 | | | | |
| 039 | 191940-4 | CARBON BRUSH CB-411 | | 1 | | | | |
| 040 | 643928-5 | BRUSH HOLDER CAP | | 2 | | | | |
| 041 | 265995-6 | TAPPING SCREW 4X18 | | 2 | | | | |
| 042 | 687052-4 | STRAIN RELIEF | | 1 | | | | |
| 043 | 682566-8 | CORD GUARD 10 | | 1 | | | | |
| 044 | 665865-3 | POWER SUPPLY CORD 1.0-2-2.5 | | 1 | | | | |
| 045 | 324129-1 | HOOK | | 1 | * | | | |
| 045-1 | 324284-9 | HOOK | O | 1 | | | | |
| 046 | 819063-3 | MAKITA LABEL | | 1 | | | | |
| 047 | 183394-9 | HOUSING SET | | 1 | | | | |
| C10 | 263002-9 | RUBBER PIN 4 | | 2 | | | | |
| D10 | | INC. 3,46 | | | | | | |
| 048 | 442137-1 | GASKET | | 1 | | | | |
| 049 | 267235-8 | FLAT WASHER 18 | | 1 | | | | |
| A01 | 824630-1 | PLASTIC CARRYING CASE | | 1 | | | | |
| C10 | 186347-7 | SLIDE LATCH SET | | 1 | | | | |
| A02 | 134831-6 | SOCKET 19-38 ASS'Y | | 1 | | | | |
| C10 | 213398-8 | O RING 24 | | 1 | | | | |
| C20 | 268057-9 | PIN 4 | | 1 | | | | |

Please order the parts with part number.

Print Date 3/6/2019